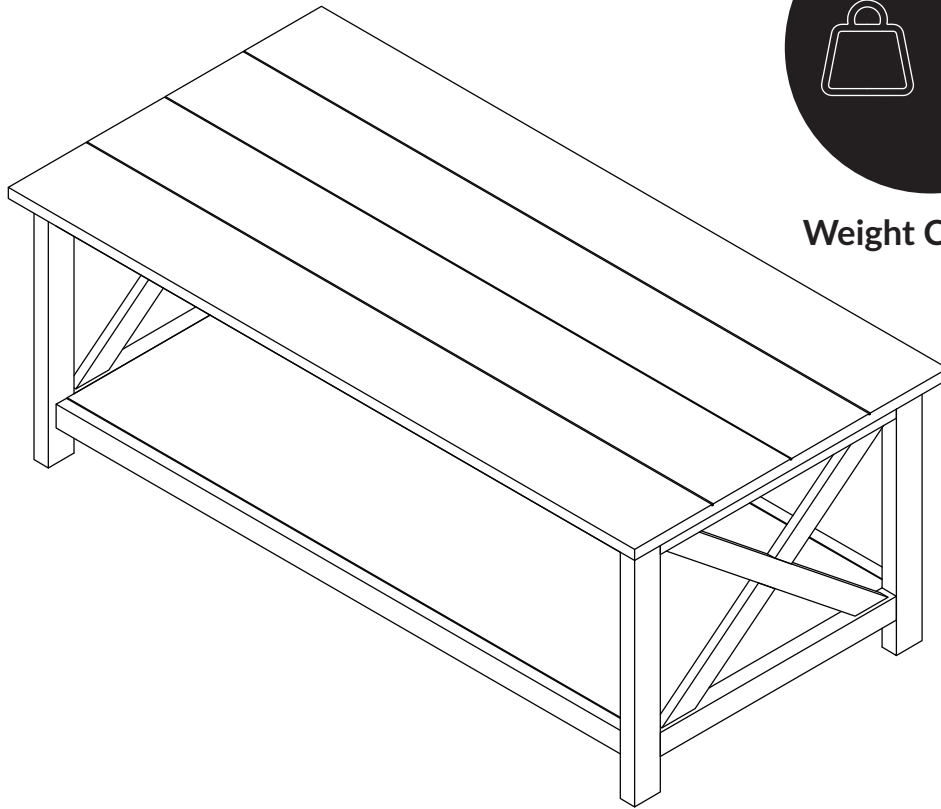




# Boraam Industries

ASSEMBLY INSTRUCTIONS

SKU: 77409 | JAMESTOWN COFFEE TABLE



Weight Capacity

Version 1 / Updated as of 11-17-23



Have questions about assembling your item?



Items or parts damaged?



Missing a part?

**We're here to help! (Monday-Friday from 9am-5pm CST)**



847-949-6300  
877-267-2261



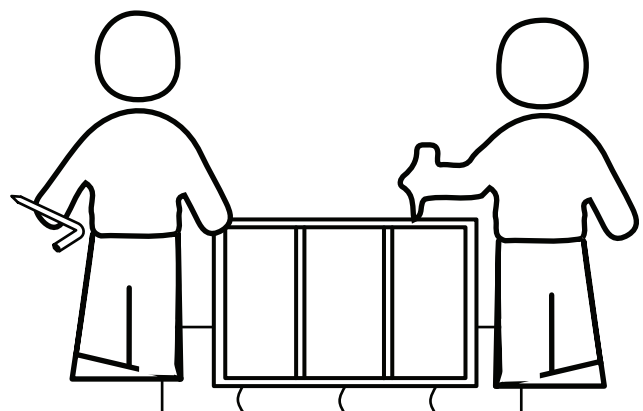
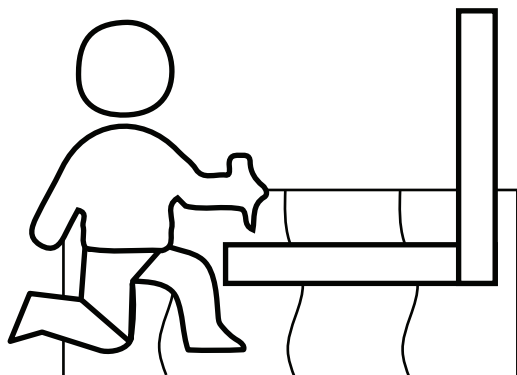
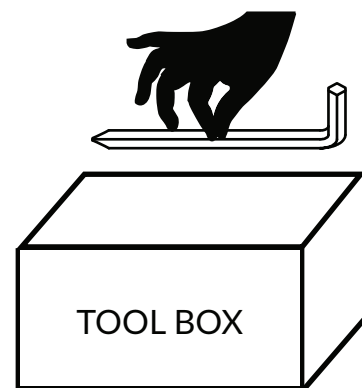
customerservice@  
boraamindustries.com



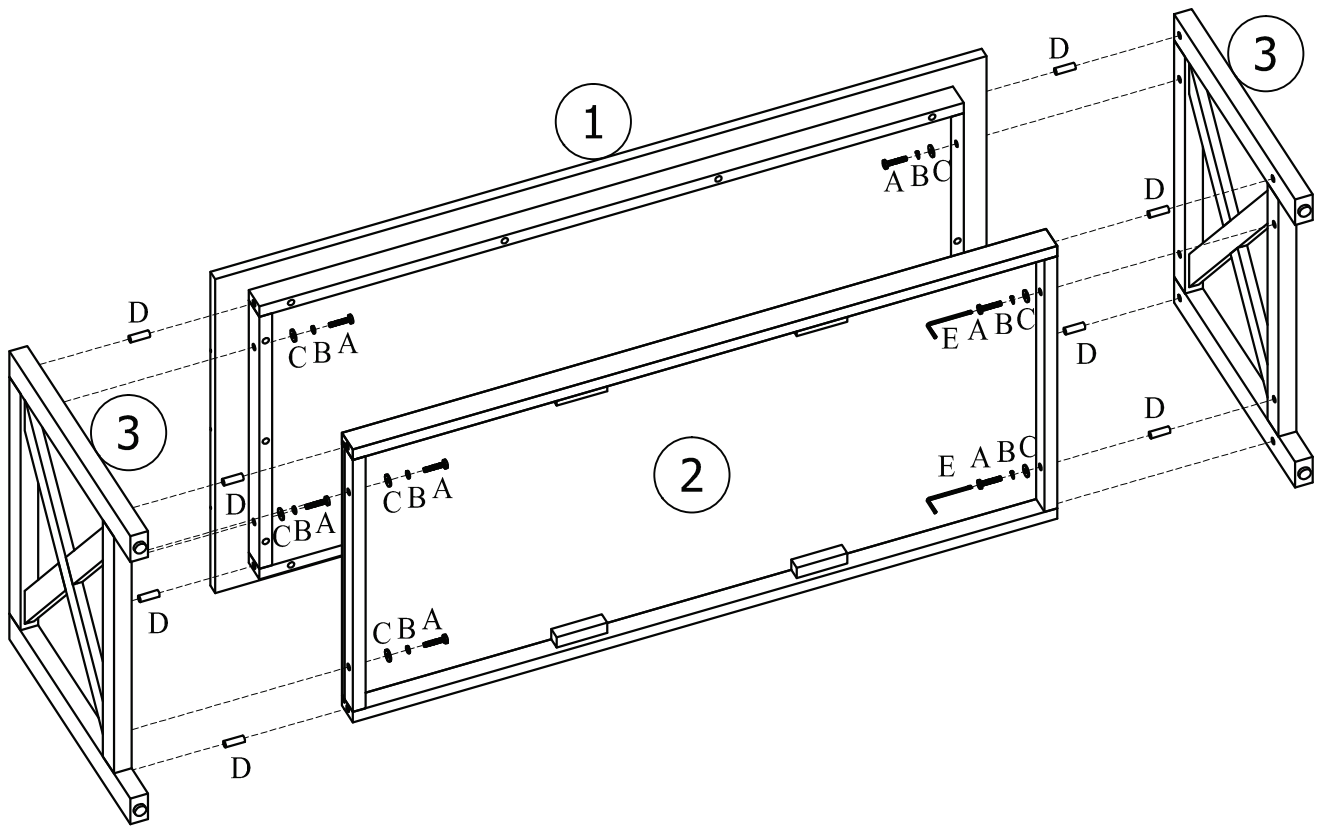
www.boraamindustries.com

# Assembly And Care

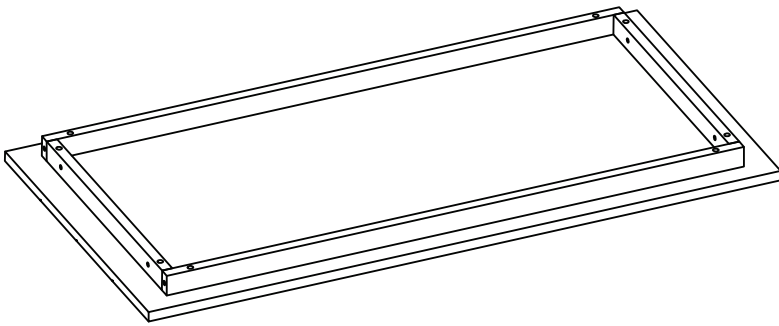
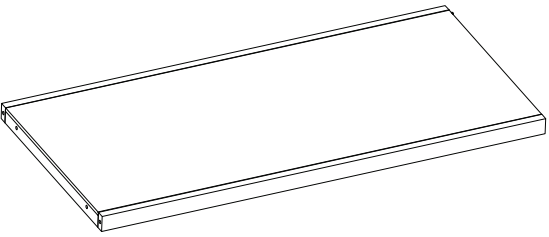
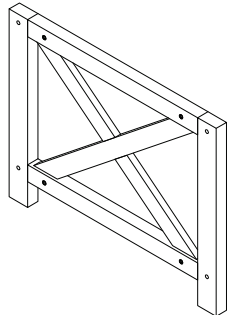
- All tools required for assembly are included unless noted.
- Prior to assembly, check for missing or damaged parts.
- Do not dispose of packaging materials until assembly is completed.
- Assemble item on a soft, clean surface to prevent damage to the item.



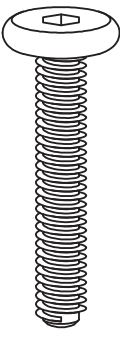

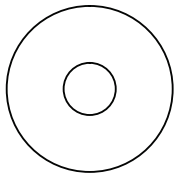

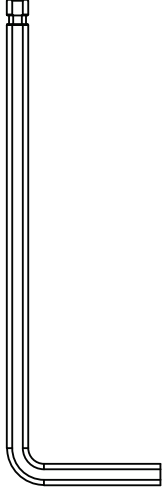
# Assembly Overview



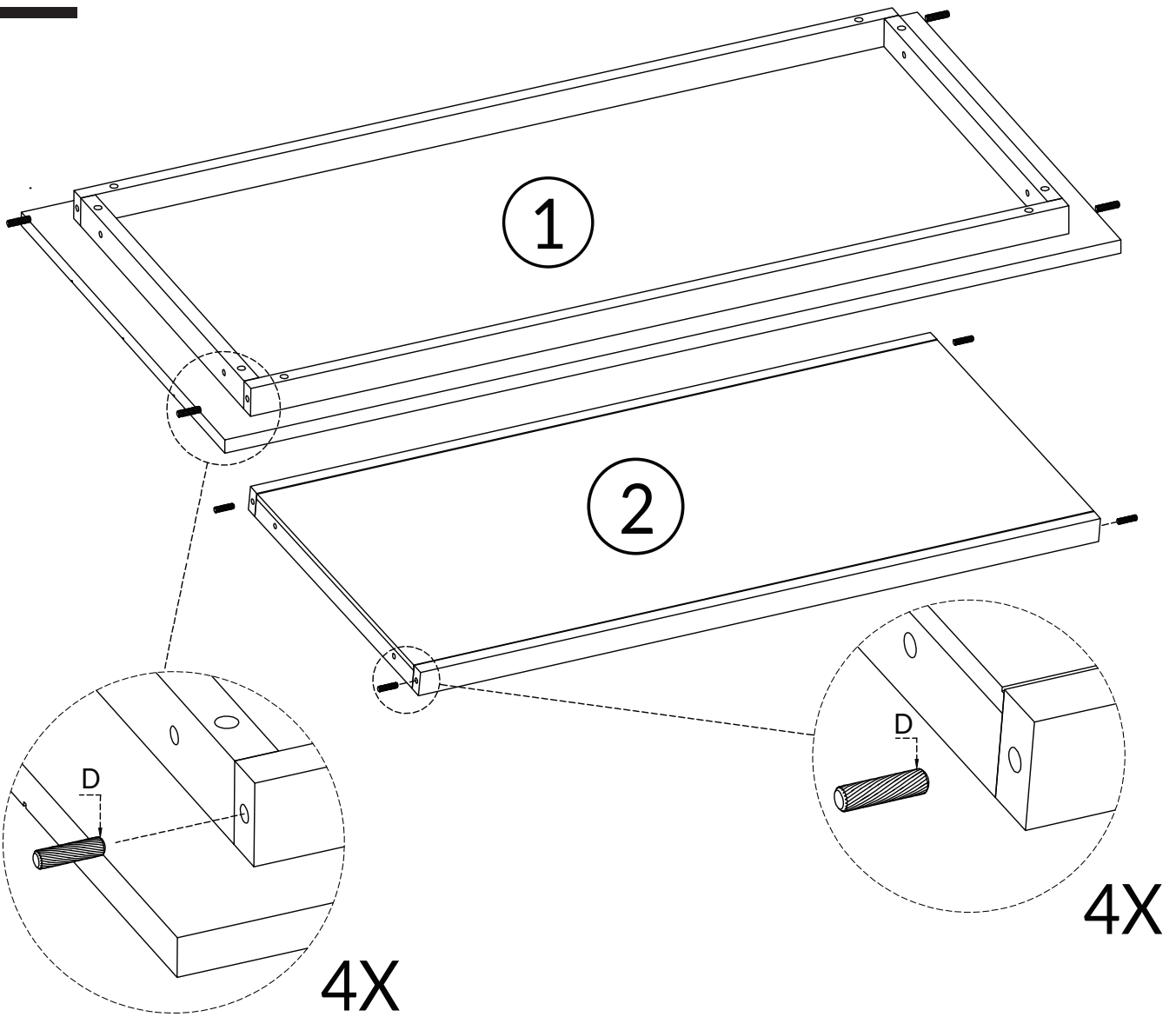
# PARTS

① (x1)	
<b>Top Panel:</b> 	
② (x1)	③ (x2)
<b>Shelf:</b> 	<b>Side Panel:</b> 

# HARDWARE

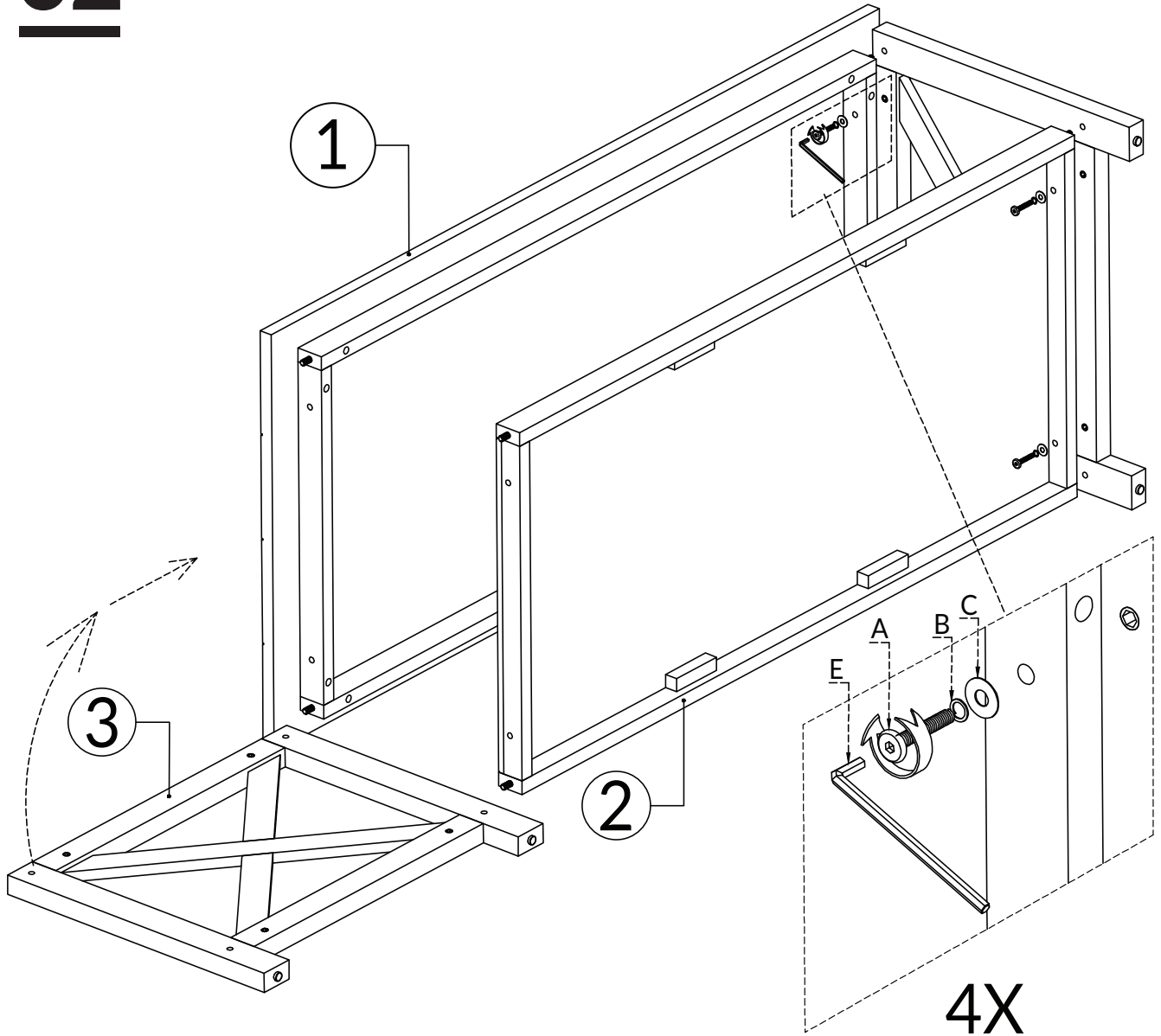
Ⓐ (x8)	Ⓑ (x8)	Ⓒ (x8)	Ⓓ (x8)	Ⓔ (x1)
				
Bolt M6x35	Spring Washer	Flat Washer	Wooden Dowel	Allen Wrench

# 01



Hardware	Count
D	8

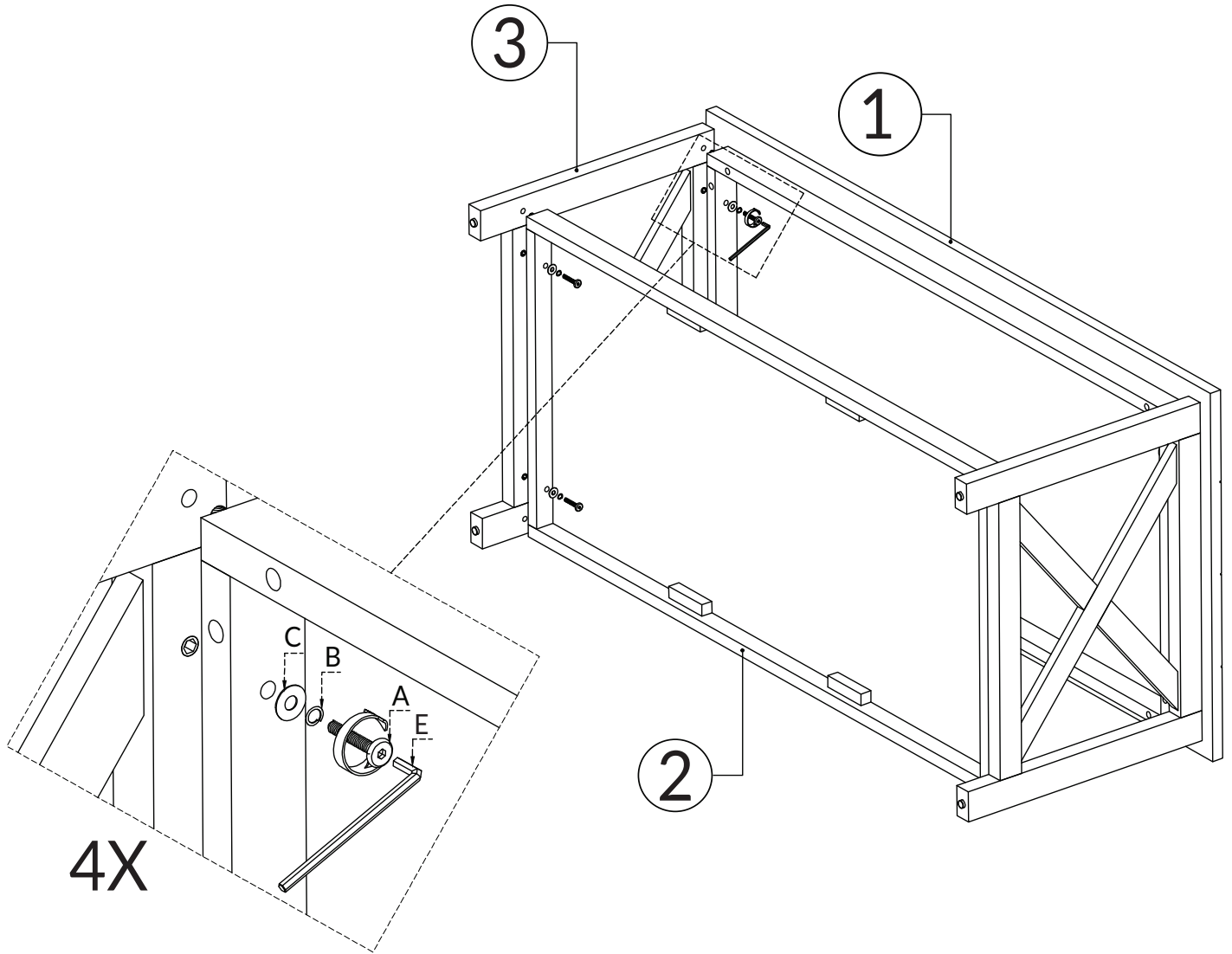
# 02



Hardware	Count
A	4
B	4
C	4
E	1

TIGHTEN BOLT COMPLETELY.

# 03

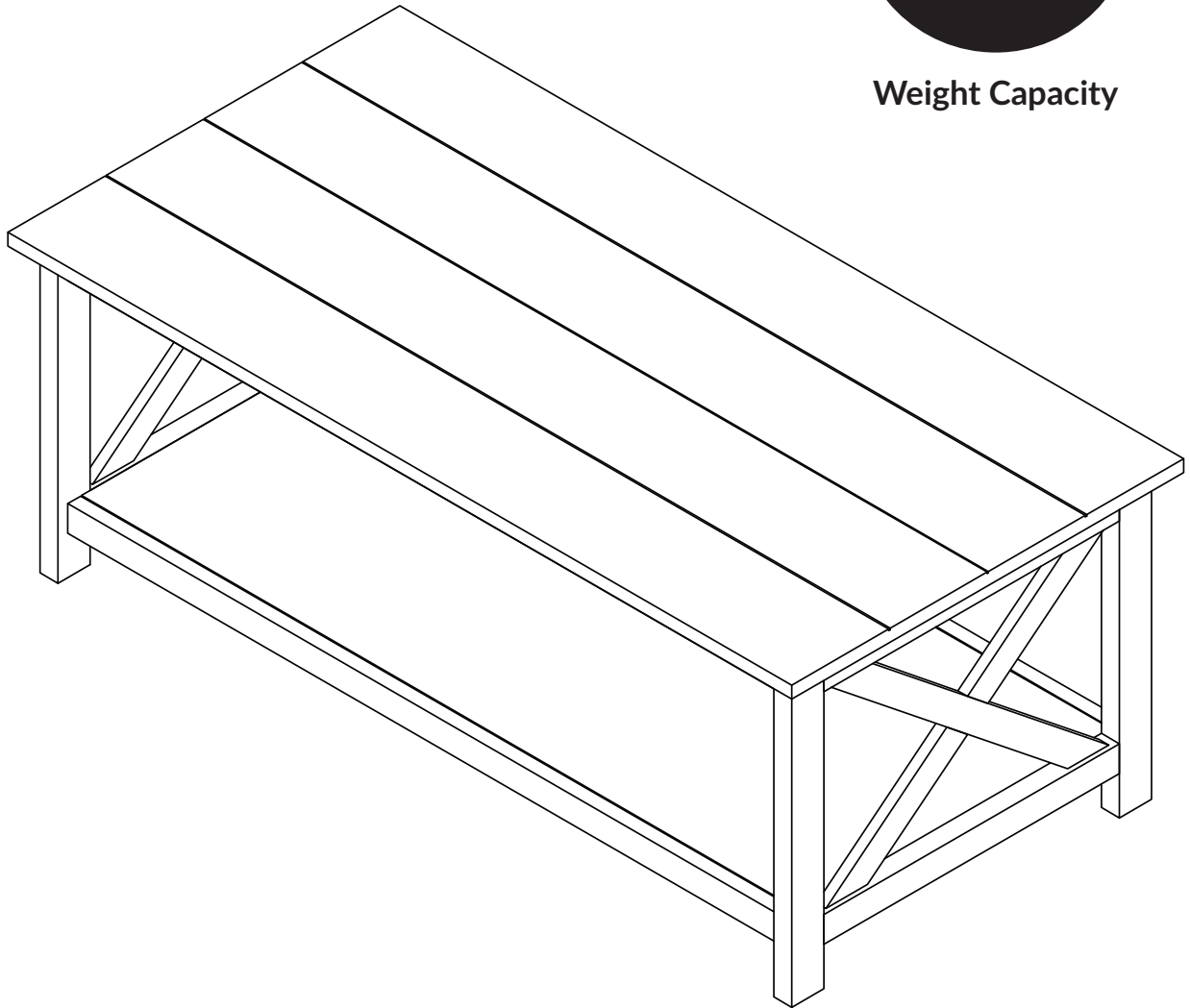


Hardware	Count
A	4
B	4
C	4
E	1

TIGHTEN BOLT COMPLETELY.



**Weight Capacity**



**BE SURE TO CHECK ALL BOLTS ARE SECURELY TIGHTENED PRIOR TO USE.**

847-949-6300 | 877-267-2261 | [customerservice@boraamindustries.com](mailto:customerservice@boraamindustries.com)