

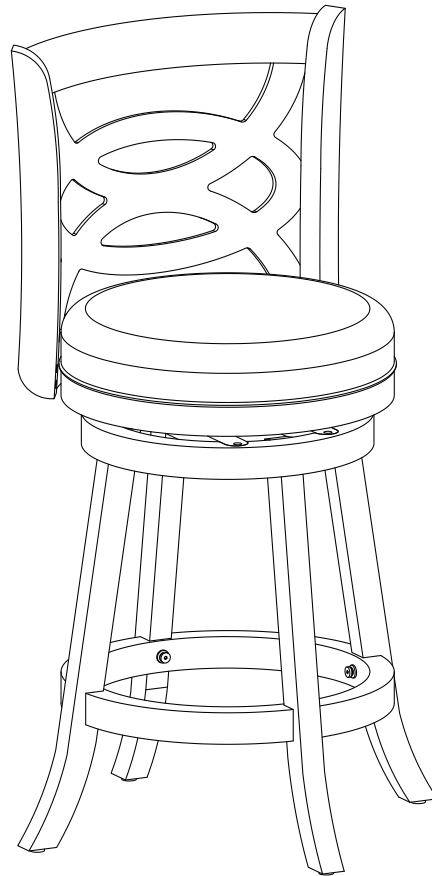


# Boraam Industries

ASSEMBLY INSTRUCTIONS

SKU: 61824,61829,61924,61929,61529,61524

## SEINA SWIVEL STOOL



Weight Capacity

Version 1 / Updated as of 11-17-23



Have questions about assembling your item?



Items or parts damaged?



Missing a part?

**We're here to help! (Monday-Friday from 9am-5pm CST)**



847-949-6300  
877-267-2261



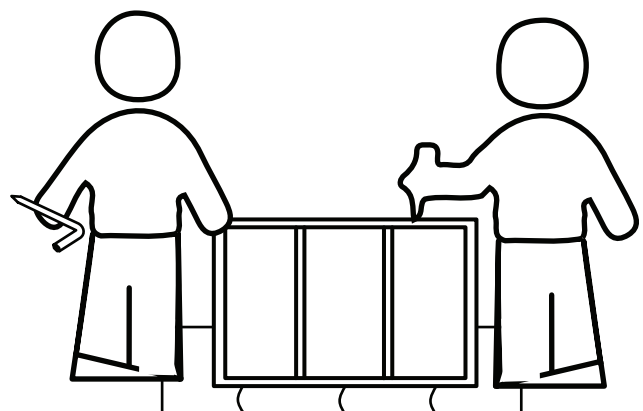
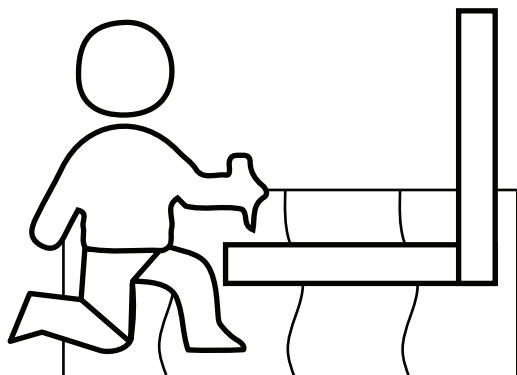
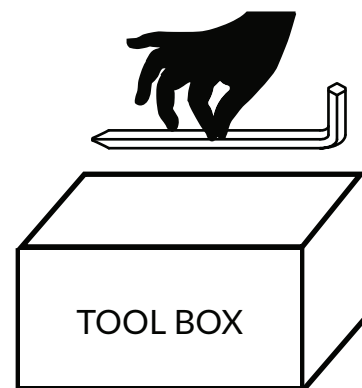
customerservice@  
boraamindustries.com



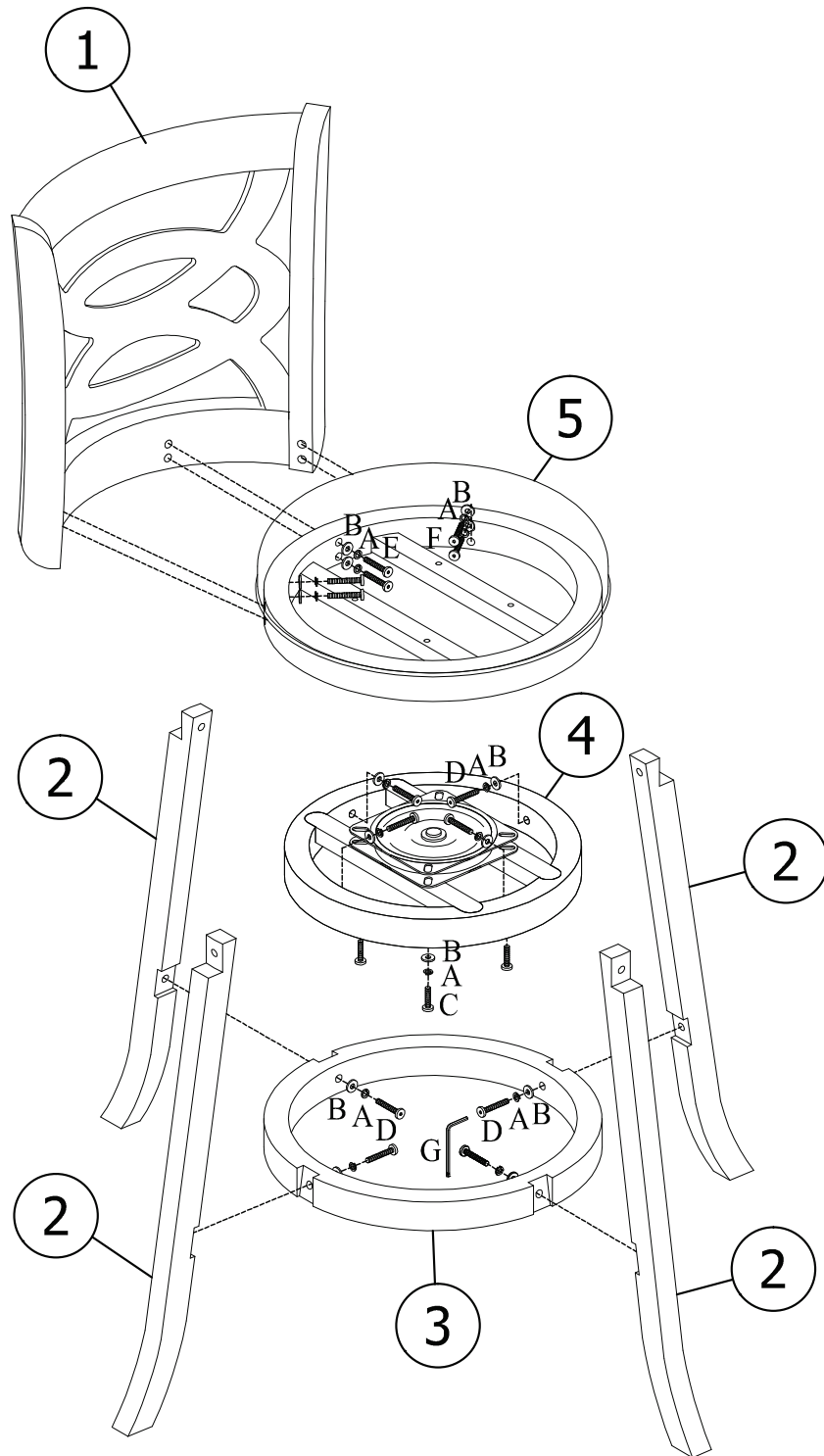
www.boraamindustries.com

# Assembly And Care

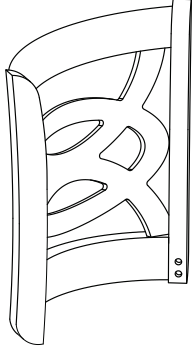
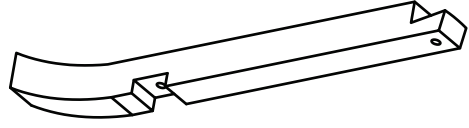
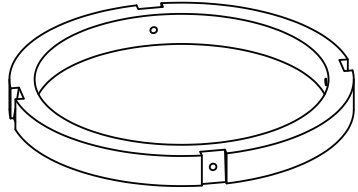
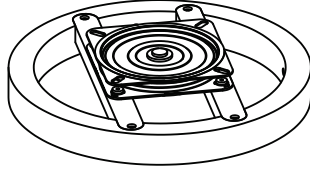
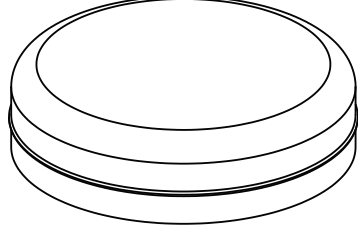
- All tools required for assembly are included unless noted.
- Prior to assembly, check for missing or damaged parts.
- Do not dispose of packaging materials until assembly is completed.
- Assemble item on a soft, clean surface to prevent damage to the item.



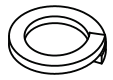
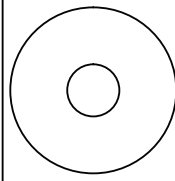
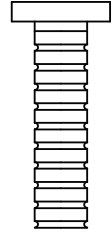
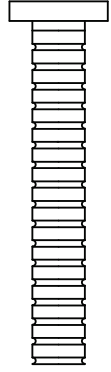
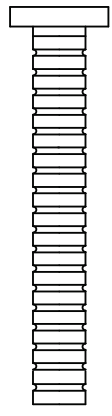
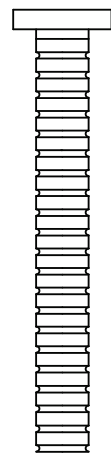
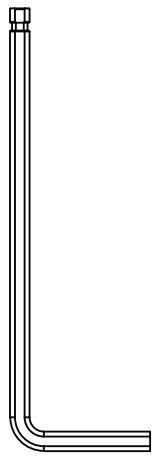
# Assembly Overview



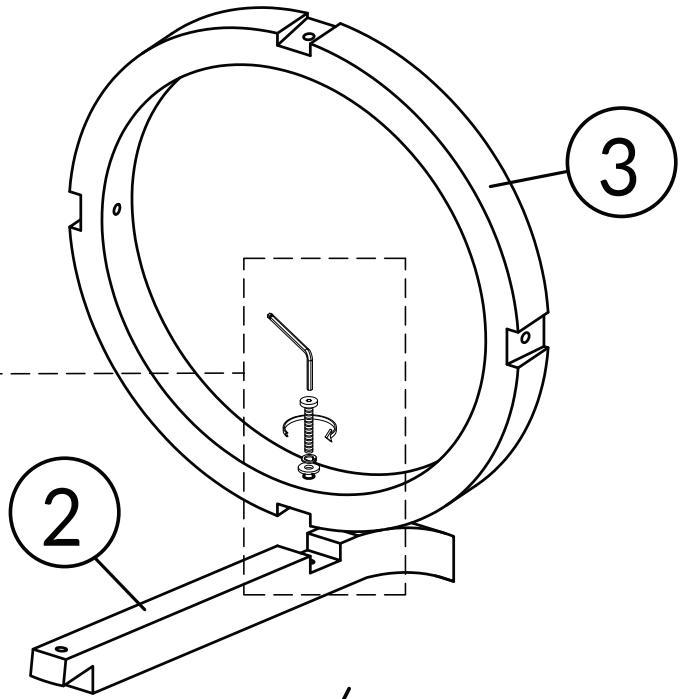
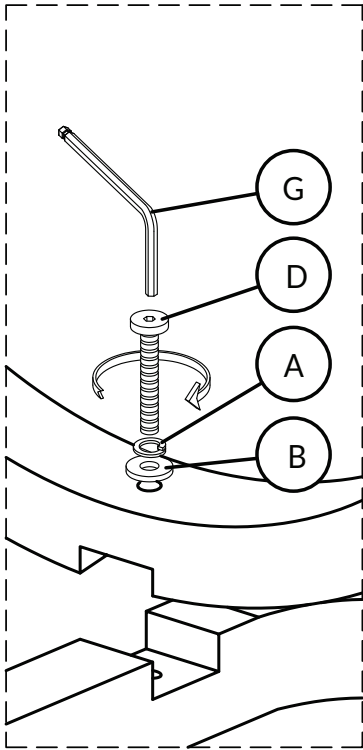
# PARTS

① (x1)		② (x4)	
<b>Backrest:</b> 		<b>Leg:</b> 	
③ (x1)	④ (x1)		⑤ (x1)
<b>Footrest:</b> 	<b>Apron With Swivel Plate:</b> 		<b>Seat Cushion:</b> 

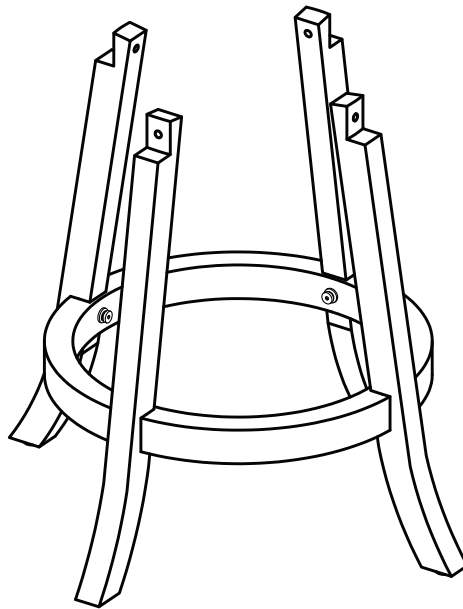
# HARDWARE

Ⓐ (x18)	Ⓑ (x18)	Ⓒ (x4)	Ⓓ (x8)	Ⓔ (x2)	Ⓕ (x4)	Ⓖ (x1)
						
Spring Washer	Flat Washer	Bolt M6x25	Bolt M6x40	Bolt M6x45	Bolt M6x50	Allen Wrench

# 01



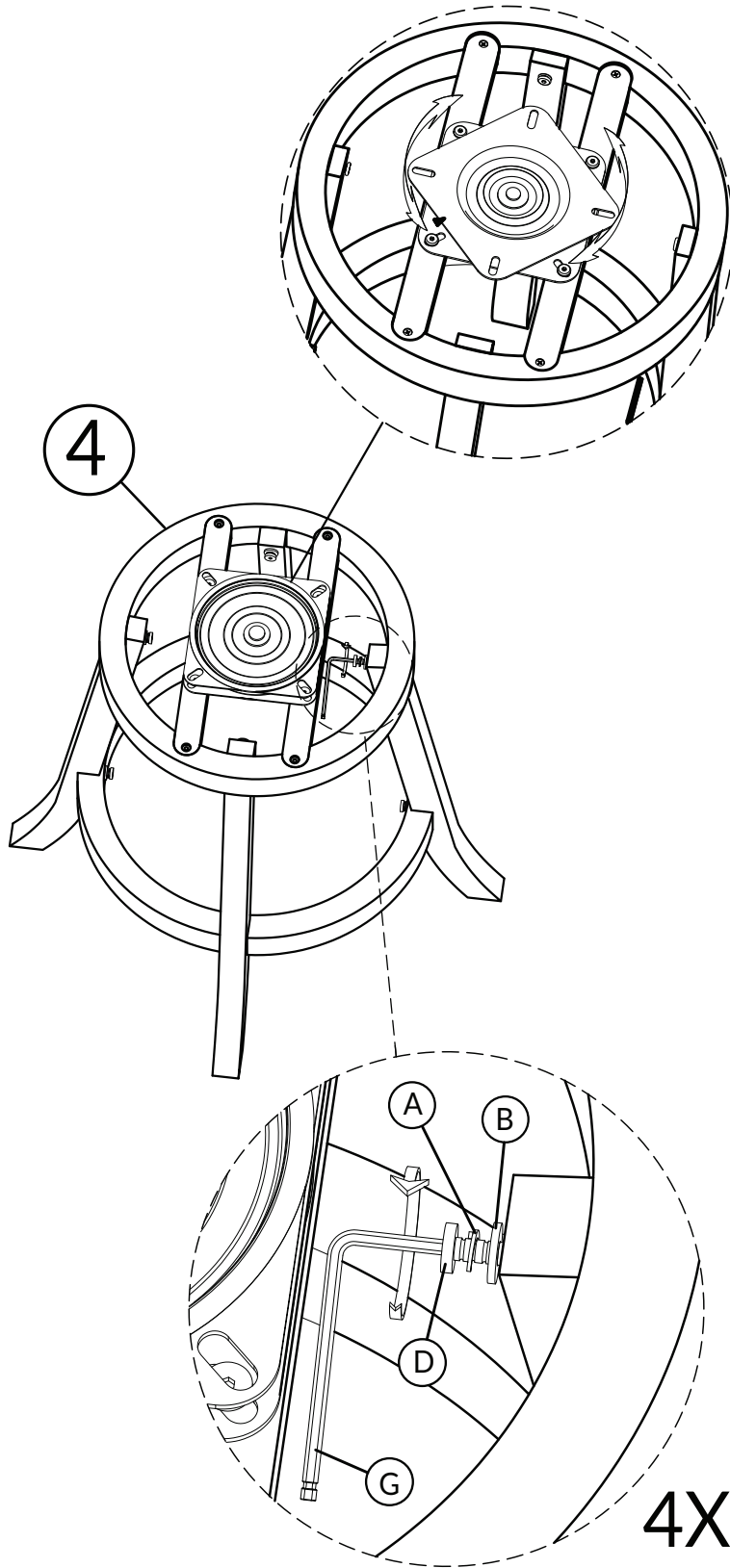
4X



Hardware	Count
A	4
B	4
D	4
G	1

DO NOT TIGHTEN BOLT COMPLETELY.

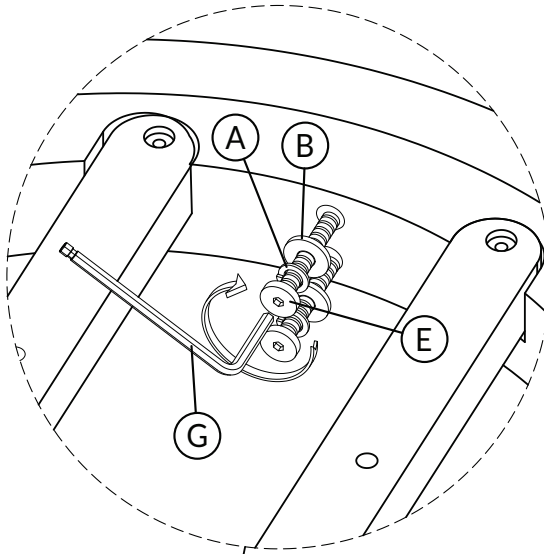
# 02



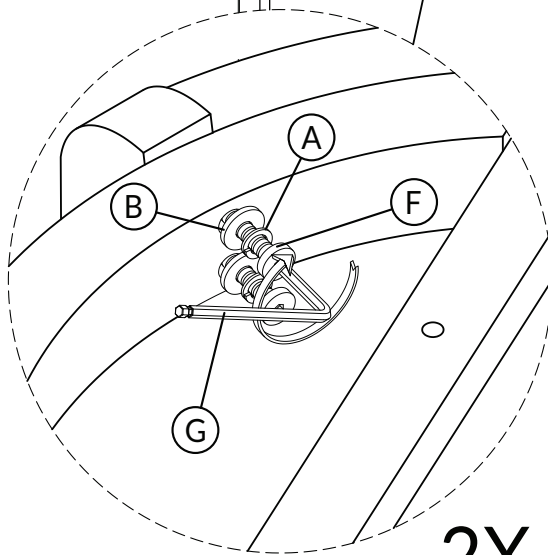
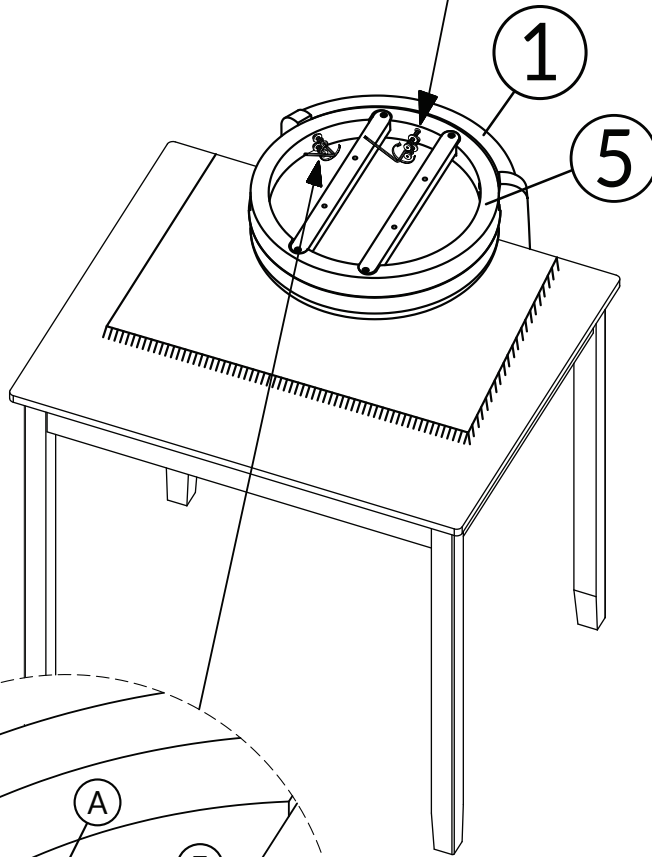
Hardware	Count
A	4
B	4
D	4
G	1

TIGHTEN BOLT COMPLETELY.

# 03



1X

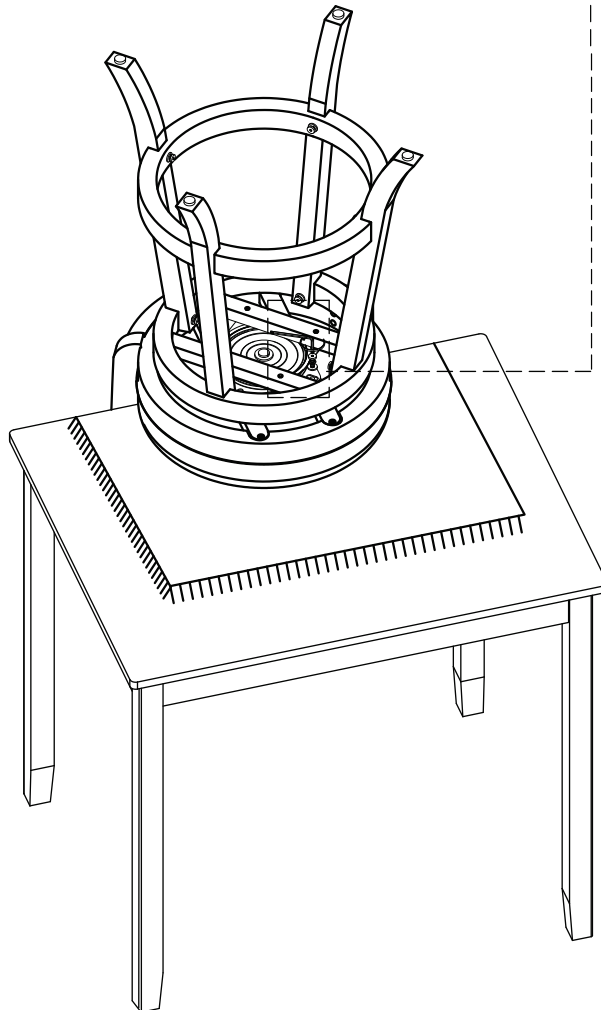
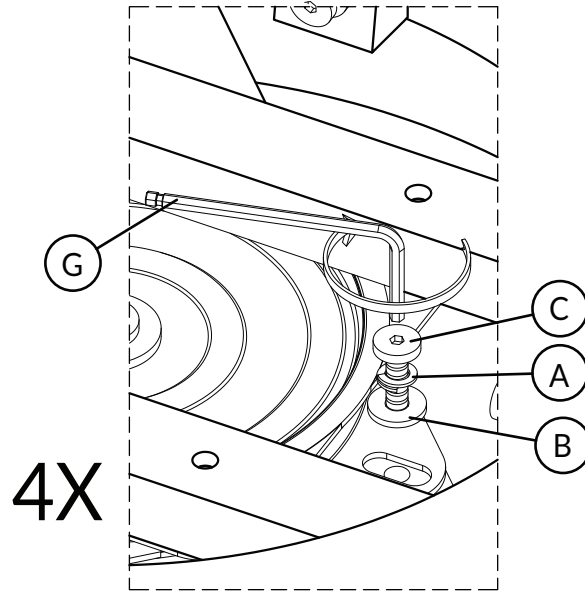


2X

Hardware	Count
A	6
B	6
E	2
F	4
G	1

TIGHTEN BOLT COMPLETELY.

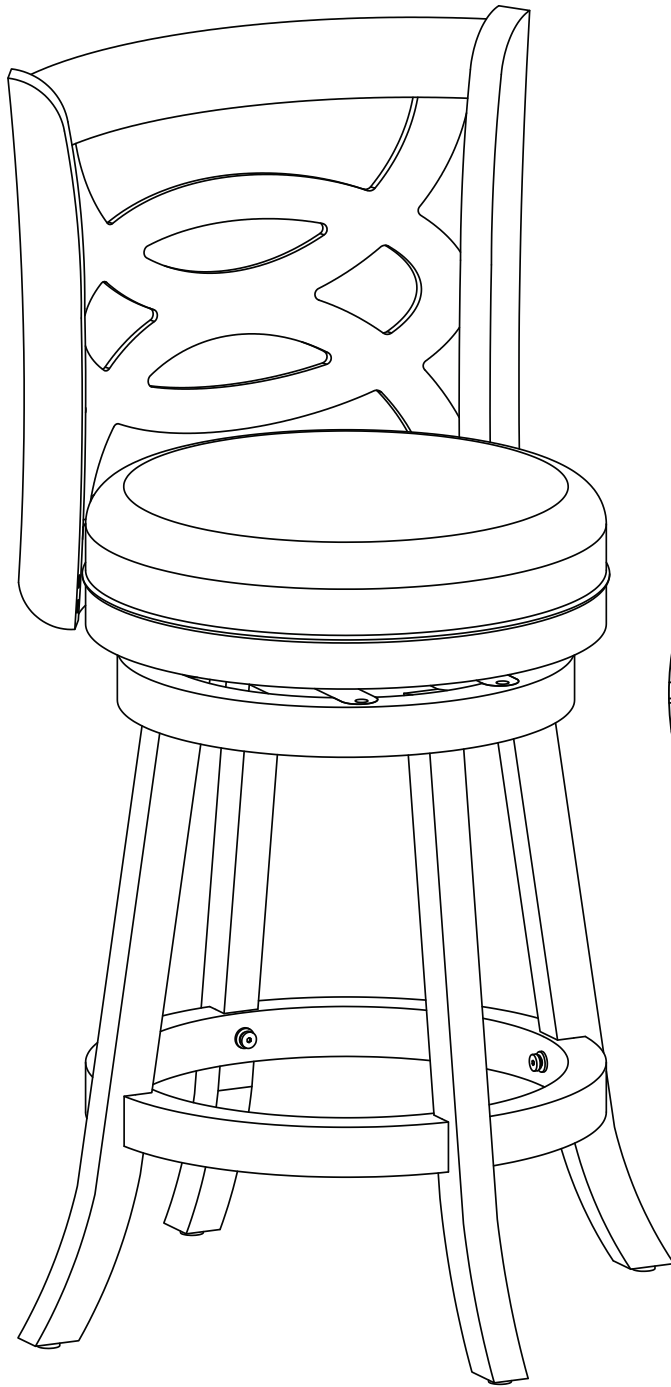
# 04



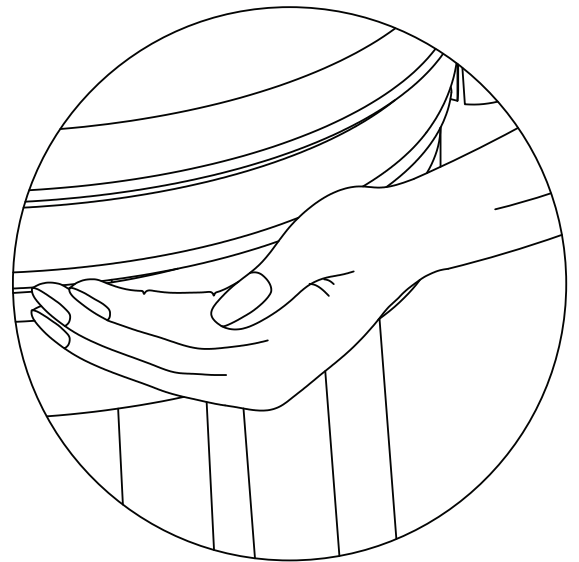
Hardware	Count
A	4
B	4
C	4
G	1

TIGHTEN BOLT COMPLETELY.





Weight Capacity



**BE SURE TO CHECK ALL BOLTS ARE SECURELY TIGHTENED PRIOR TO USE.**