

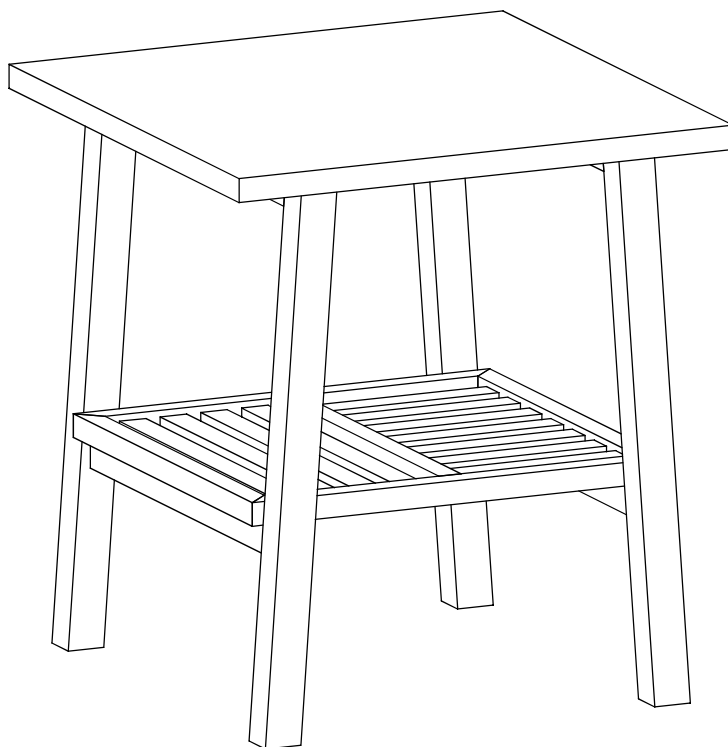


Boraam Industries

ASSEMBLY INSTRUCTIONS

SKU: 75030

SONOMA END TABLE



Have questions about assembling your item?



Items or parts damaged?



Missing a part?

We're here to help! (Monday-Friday from 9am-5pm CST)



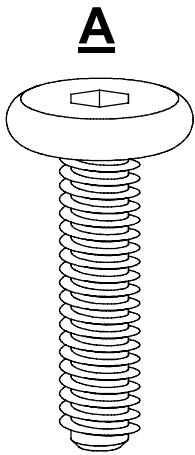
847-949-6300
877-267-2261



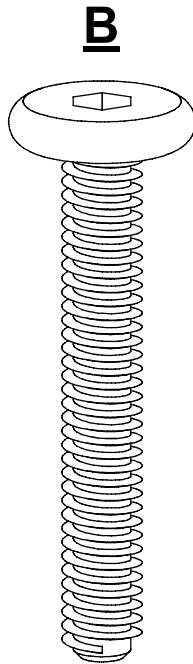
customerservice@
boraamindustries.com



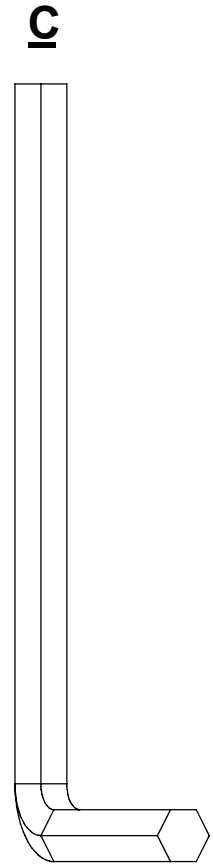
www.boraamindustries.com



M6*40
6 PCS

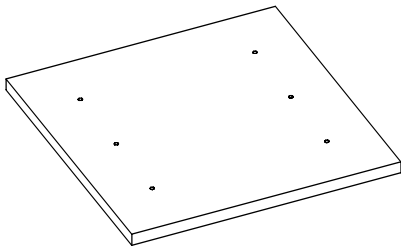


M6*45
4 PCS

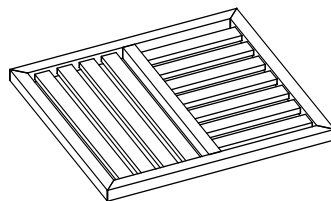


1 PC

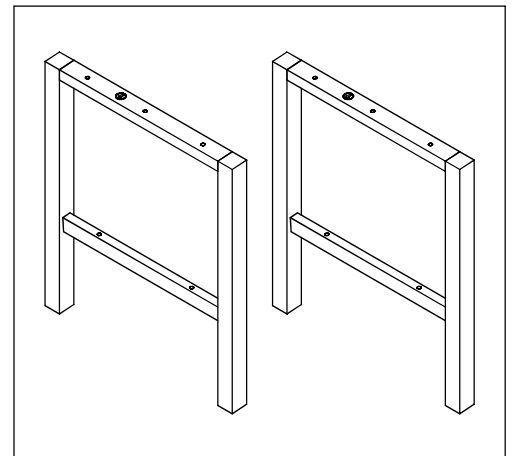
1



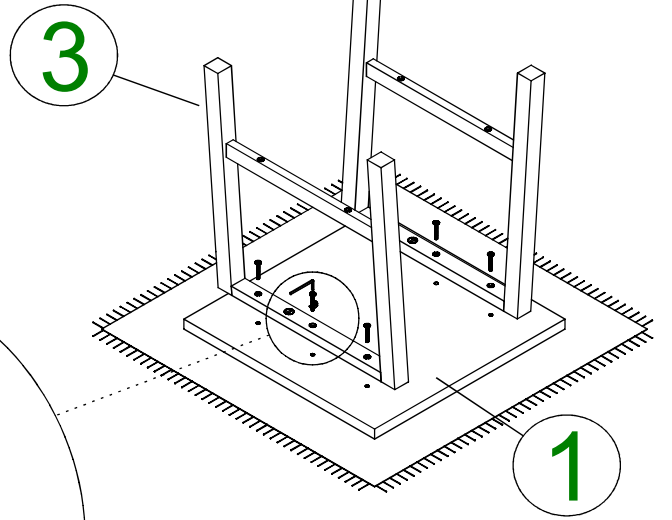
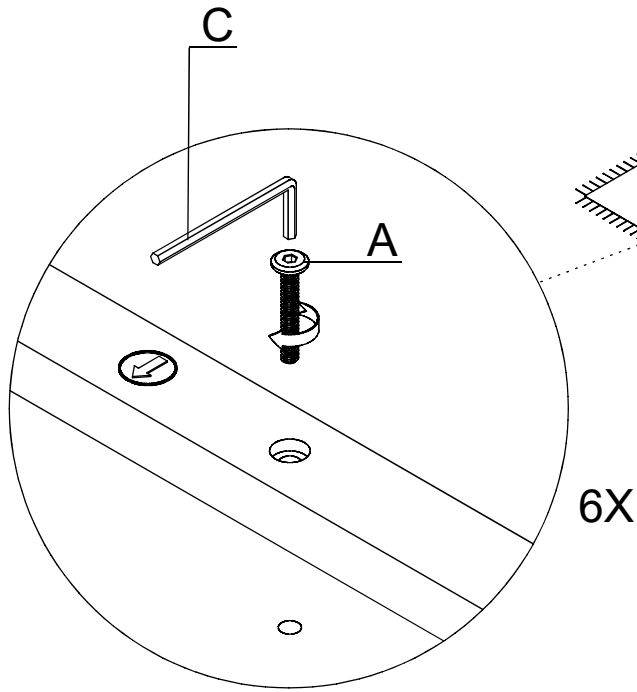
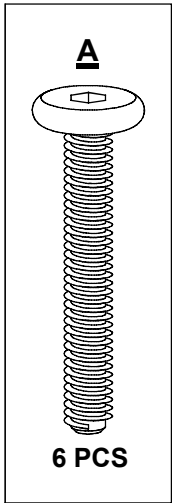
2



3

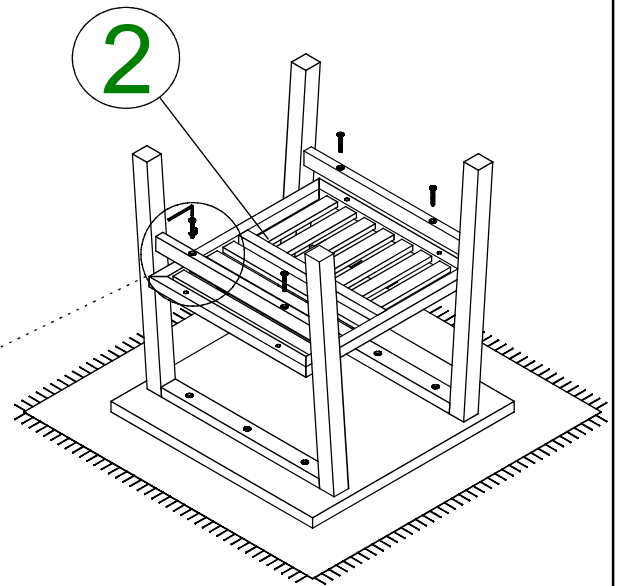
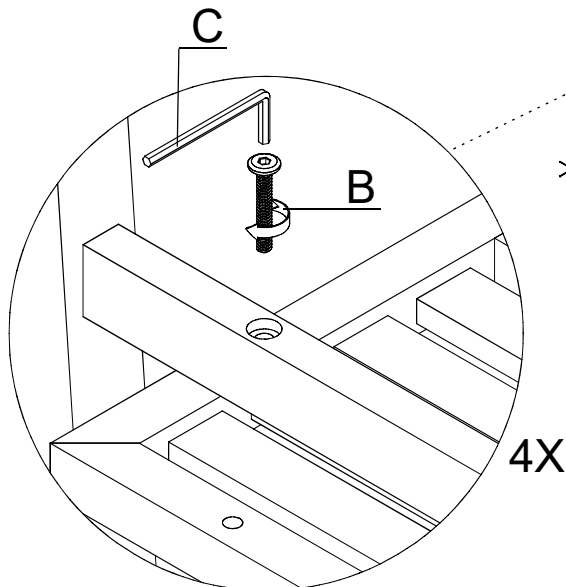
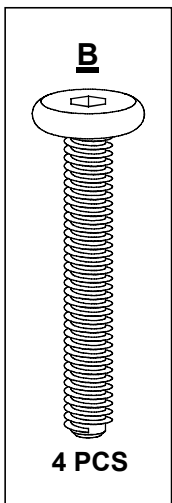


01

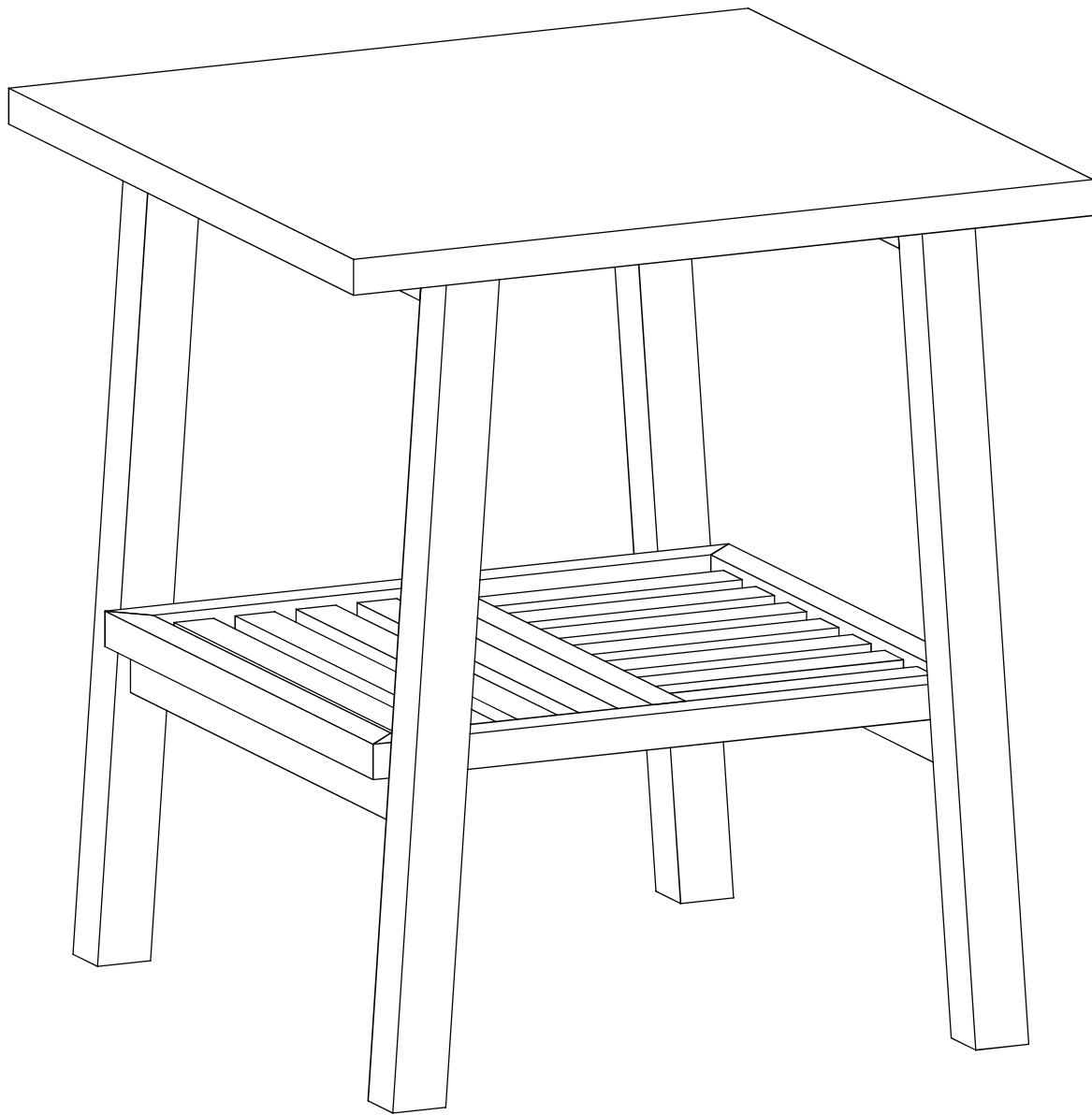


DO NOT TIGHTEN BOLT COMPLETELY.

02



TIGHTEN BOLT COMPLETELY.



BE SURE TO CHECK ALL BOLTS ARE SECURELY
TIGHTENED PRIOR USING THIS TABLE.