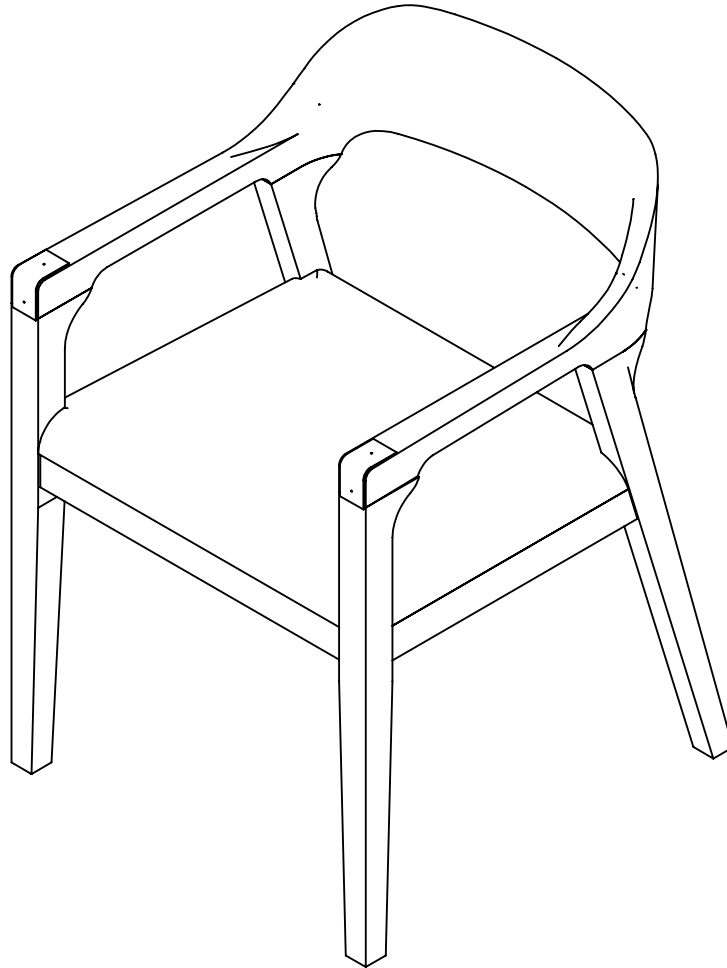




Boraam Industries

ASSEMBLY INSTRUCTIONS

SKU: 77517 | MONTANA DINING ARM CHAIR



Have questions about assembling your item?



Items or parts damaged?



Missing a part?

We're here to help! (Monday-Friday from 9am-5pm CST)



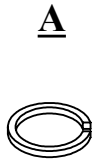
847-949-6300
877-267-2261



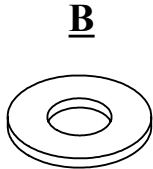
customerservice@
boraamindustries.com



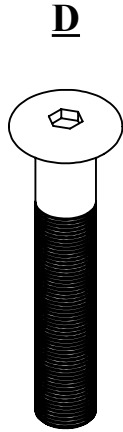
www.boraamindustries.com



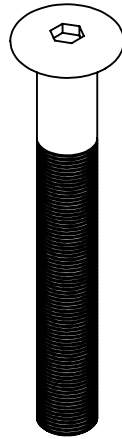
9PCS
M8*10



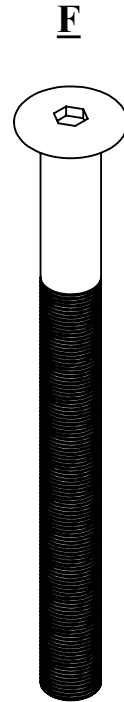
9PCS
M8*19



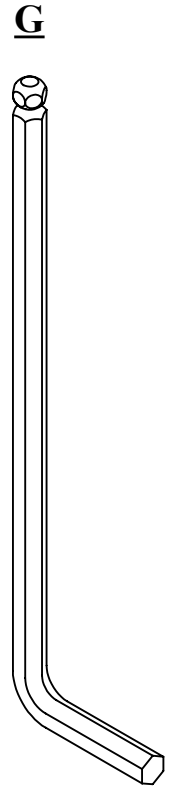
7PCS
M8*45



4PCS
M8*60

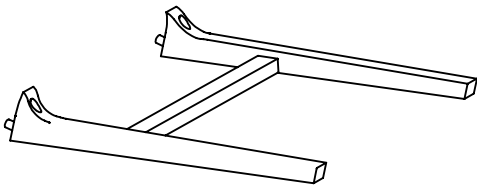


2PCS
M8*95

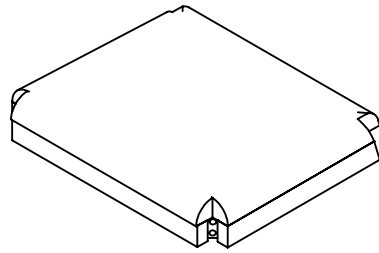


1PC
Allen Wrench
M4*110

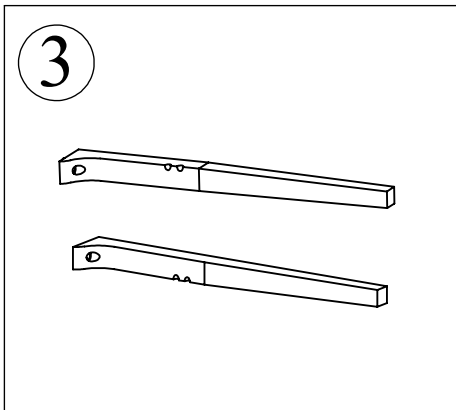
1



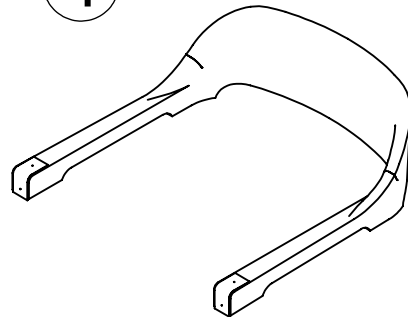
2






3

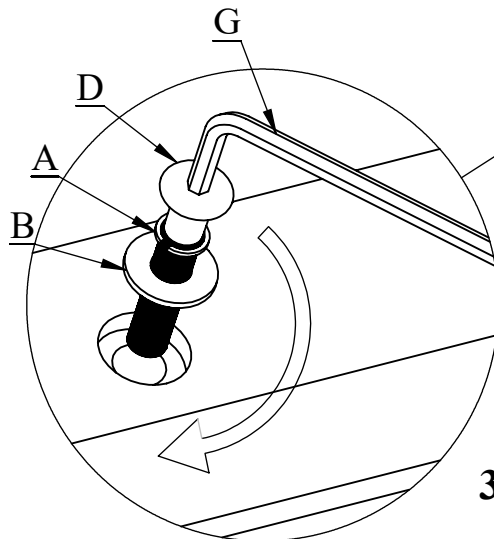
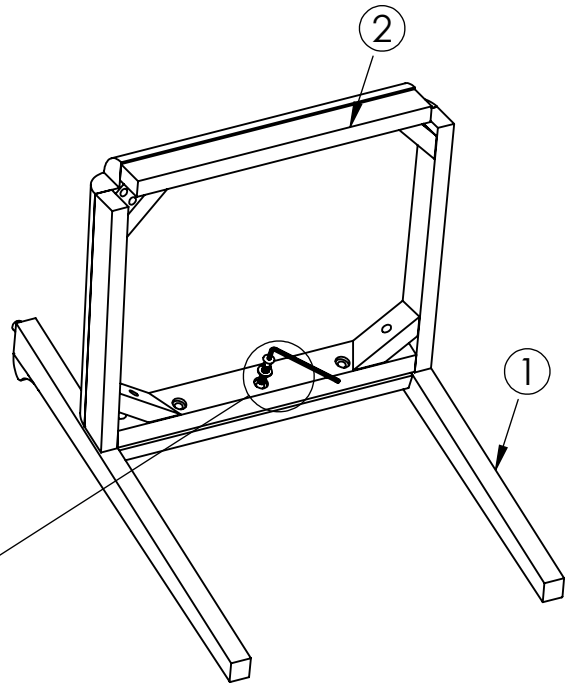


4



01




A 	B 	D 
3PCS M8*10	3PCS M8*19	3PCS M8*45

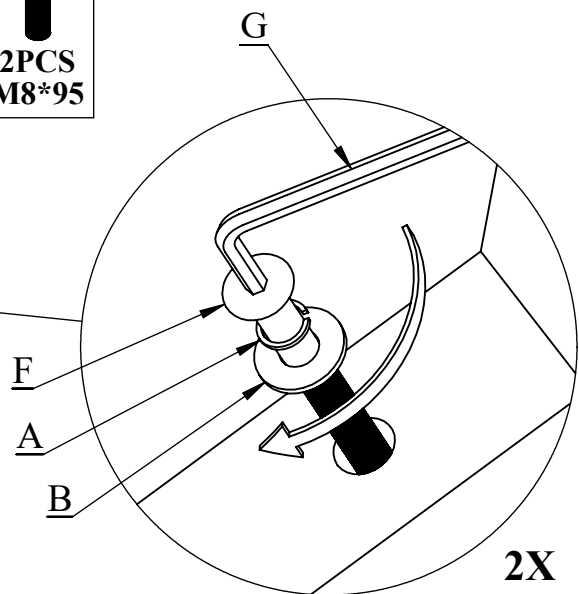
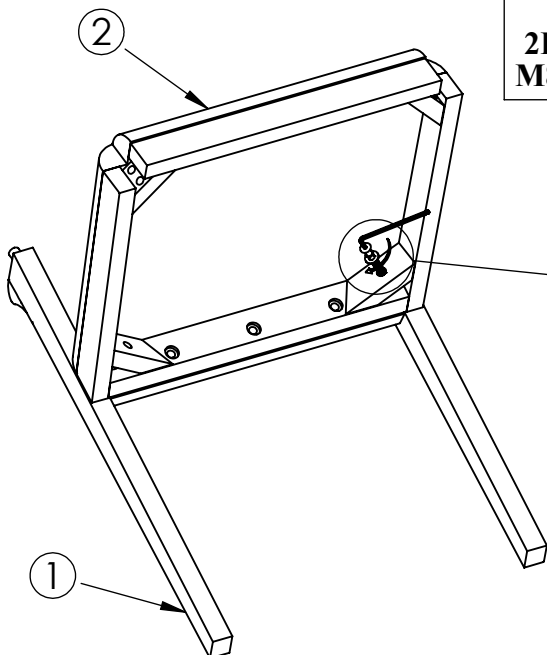


3X

DO NOT TIGHTEN BOLT COMPLETELY

02




A 	B 	F 
2PCS M8*10	2PCS M8*19	2PCS M8*95

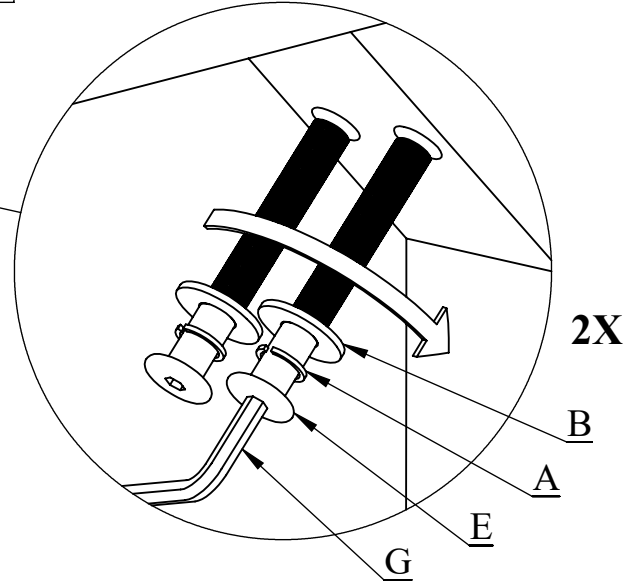
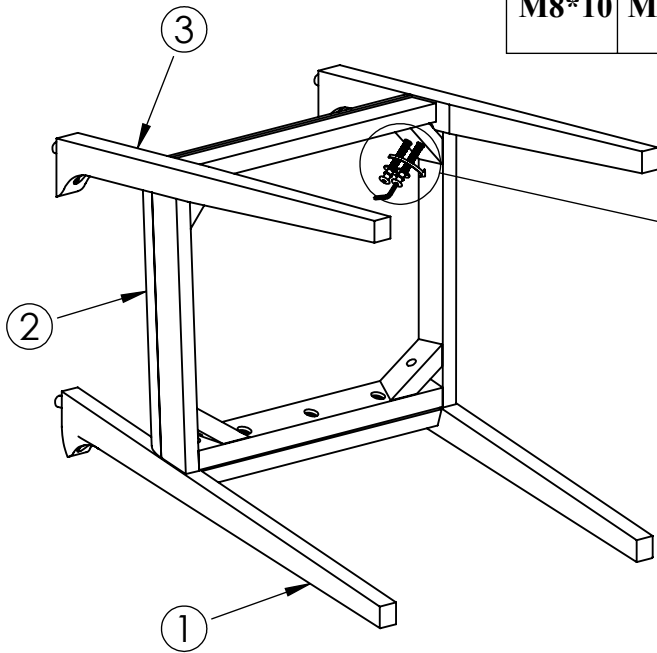


2X

DO NOT TIGHTEN BOLT COMPLETELY


03

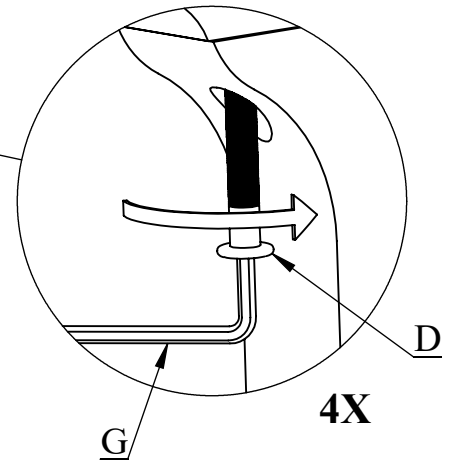
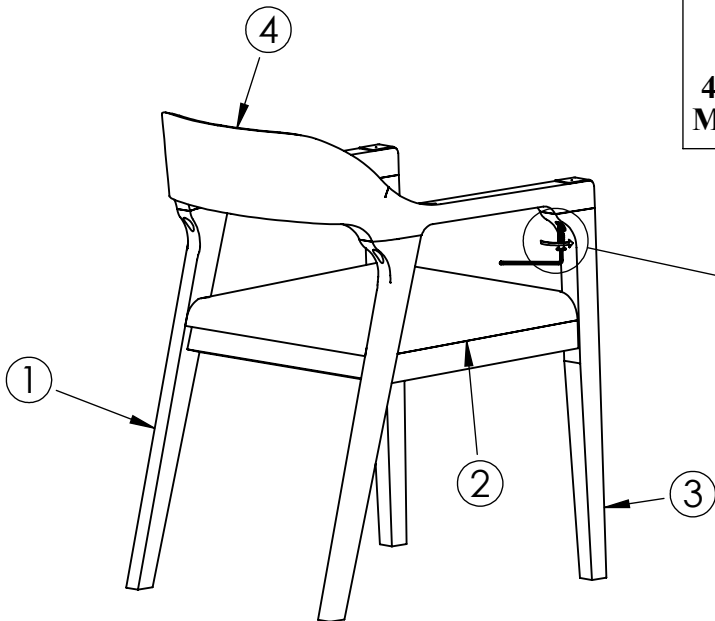
A	B	E
		
4PCS M8*10	4PCS M8*19	4PCS M8*60



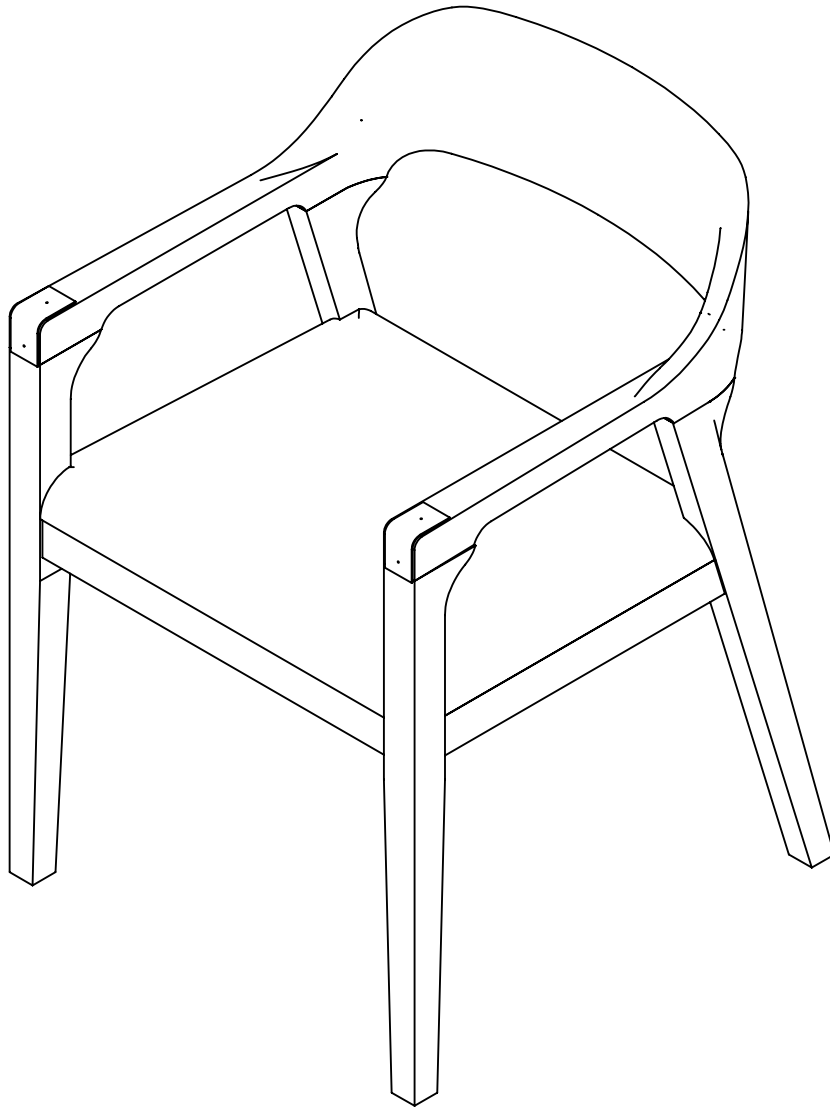
DO NOT TIGHTEN BOLT COMPLETELY

04

D

4PCS M8*45



DO NOT TIGHTEN BOLT COMPLETELY



BE SURE TO CHECK ALL BOLTS SECURELY
TIGHTENED PRIOR USING THIS CHAIR

847-949-6300 | 877-267-2261 | customerservice@boraamindustries.com

Page 5 of 5