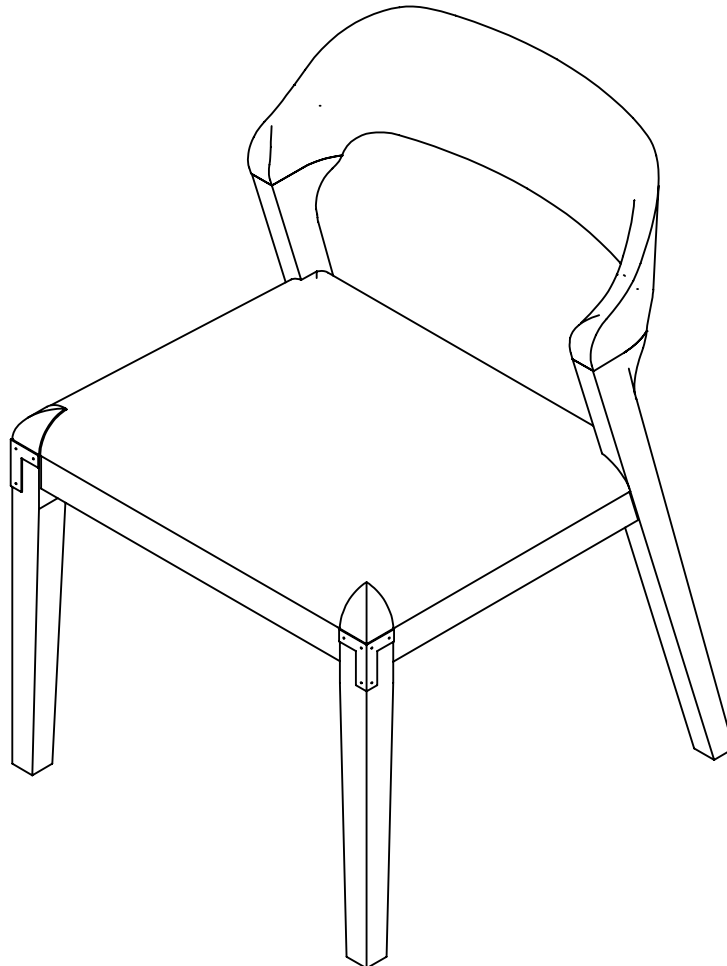




Boraam Industries

ASSEMBLY INSTRUCTIONS

SKU: 77516 | MONTANA DINING CHAIR



Have questions about assembling your item?



Items or parts damaged?



Missing a part?

We're here to help! (Monday-Friday from 9am-5pm CST)



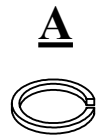
847-949-6300
877-267-2261



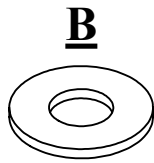
customerservice@
boraamindustries.com



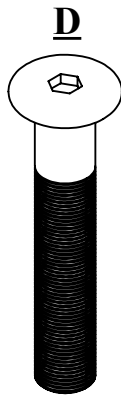
www.boraamindustries.com



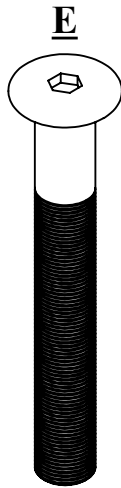
A
9PCS
M8*10



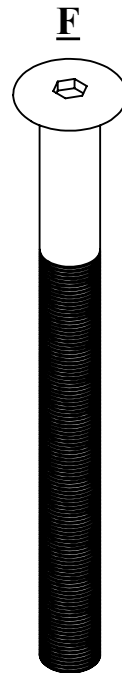
B
9PCS
M8*19



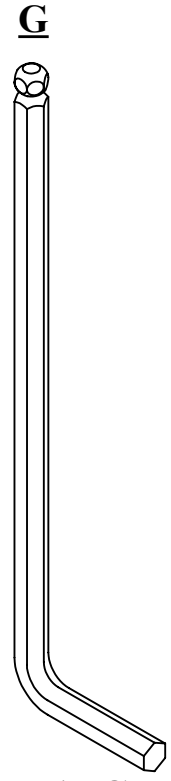
D
3PCS
M8*45



E
4PCS
M8*60

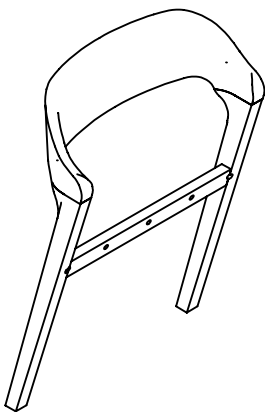


F
2PCS
M8*95

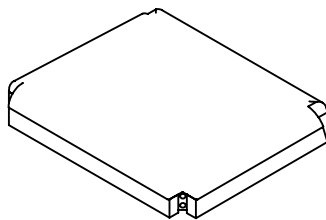


G
1PC
Allen Wrench
M4*110

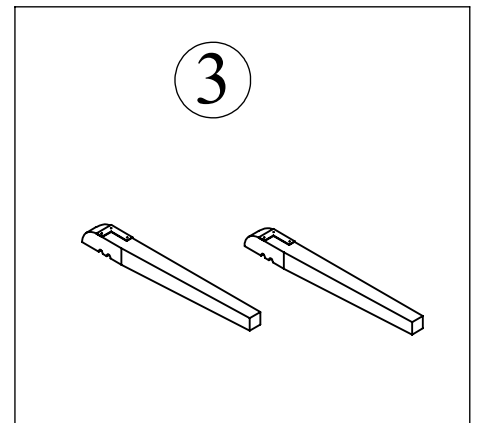
1






2

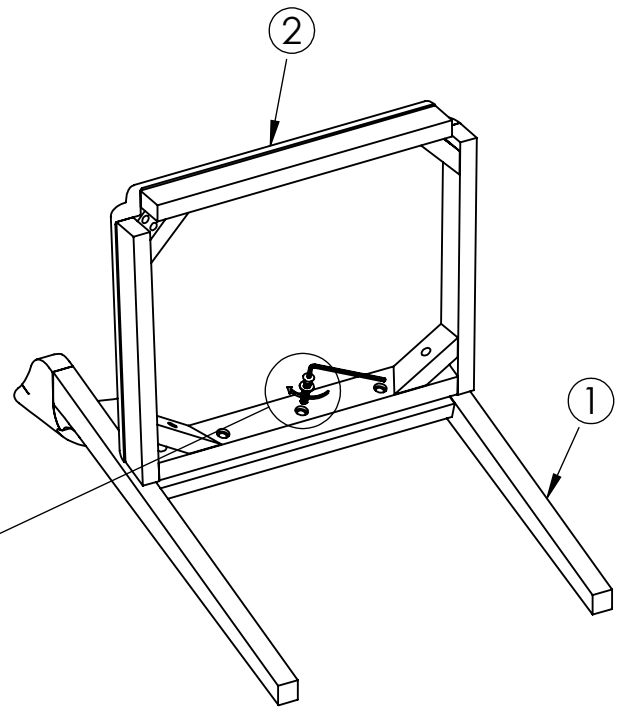
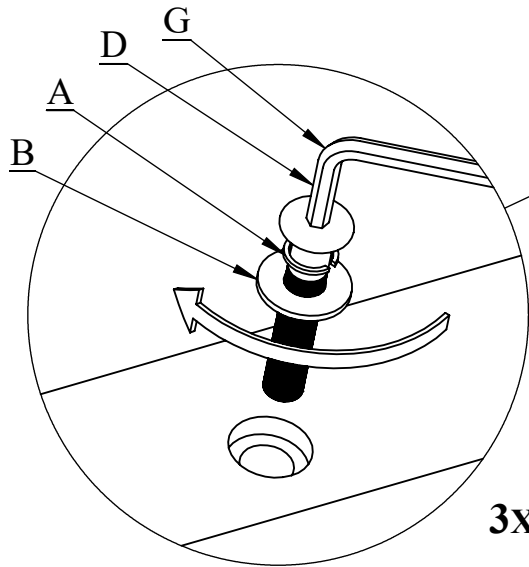


3






01

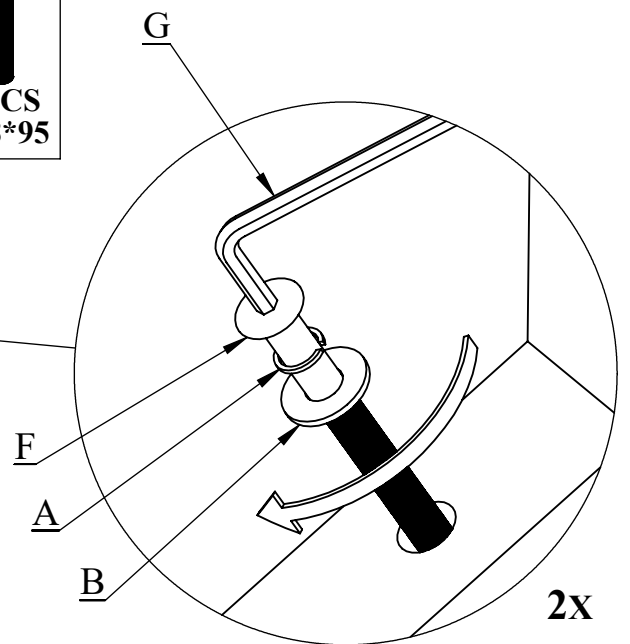
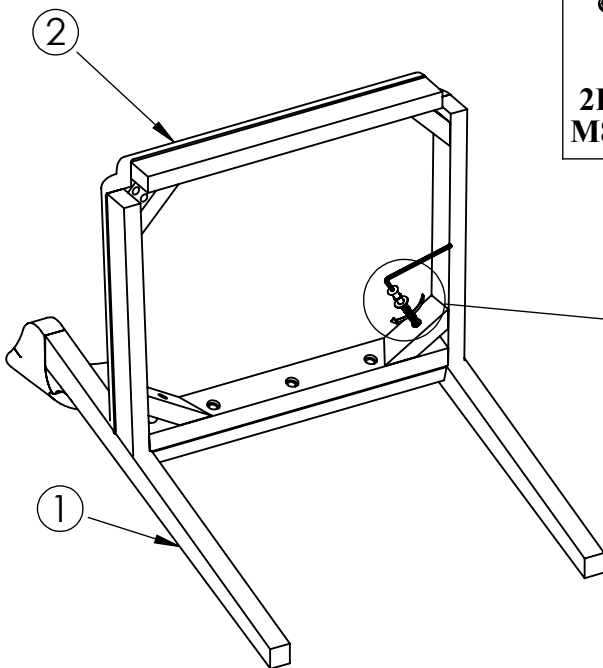
A 	B 	D 
3PCS M8*10	3PCS M8*19	3PCS M8*45



DO NOT TIGHTEN BOLT COMPLETELY




02

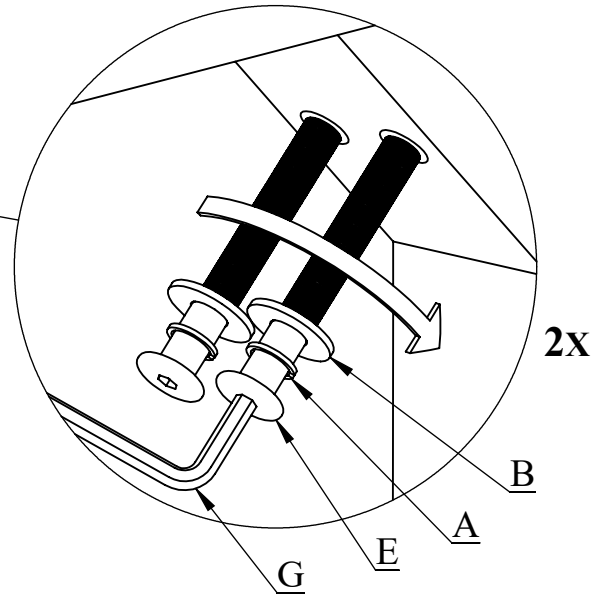
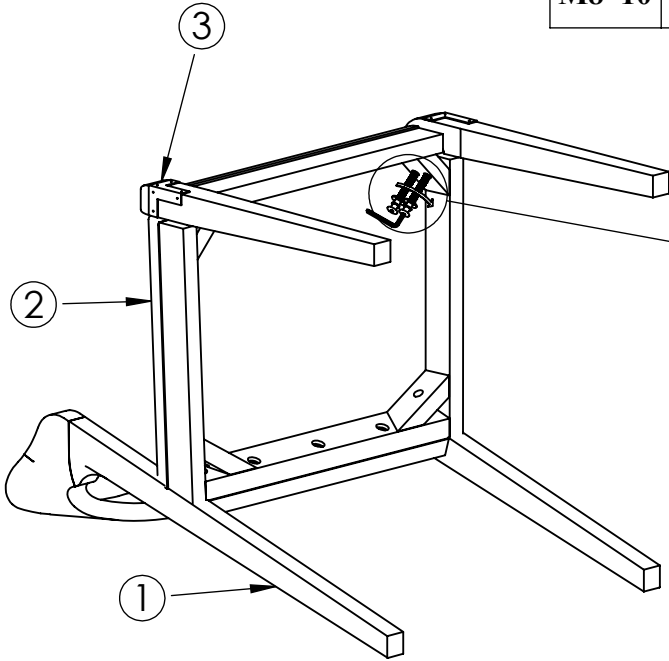
A 	B 	F 
2PCS M8*10	2PCS M8*19	2PCS M8*95



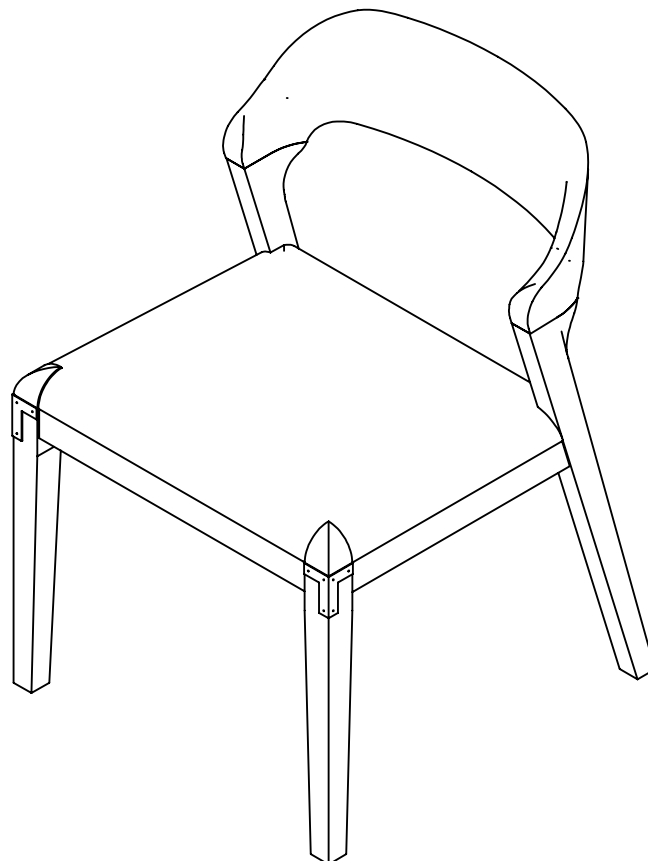
DO NOT TIGHTEN BOLT COMPLETELY

03

<u>A</u>	<u>B</u>	<u>E</u>
		
4PCS M8*10	4PCS M8*19	4PCS M8*60



DO NOT TIGHTEN BOLT COMPLETELY



BE SURE TO CHECK ALL BOLTS SECURELY
TIGHTENED PRIOR USING THIS CHAIR