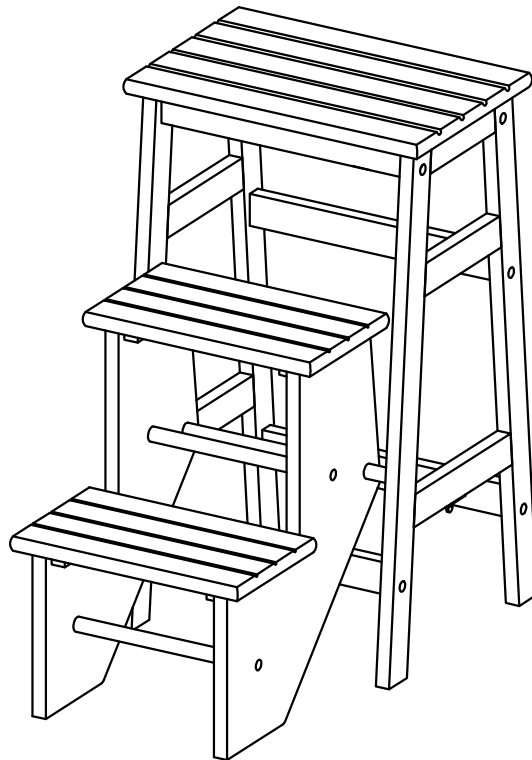




Boraam Industries

ASSEMBLY INSTRUCTIONS

SKU : 36629,36729,36829 | NIKO 29" FOLDING STEP STOOL



Have questions about assembling your item?



Items or parts damaged?



Missing a part?

We're here to help! (Monday-Friday from 9am-5pm CST)



847-949-6300
877-267-2261

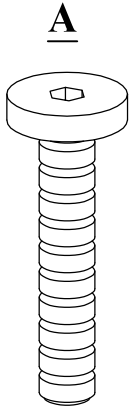


customerservice@
boraamindustries.com

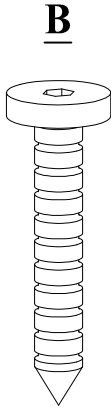


www.boraamindustries.com

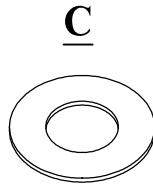
Phillips
Screwdriver
(Not provided)



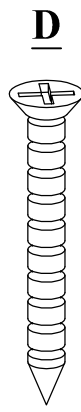
A
M6*35
8 PCS



B
M6*30
14 PCS



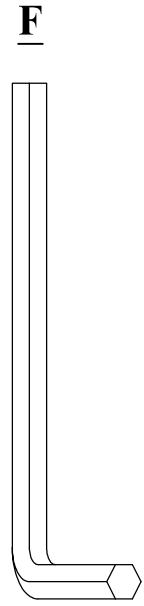
C
Flat Washer
8 PCS



D
M4*30
2 PCS

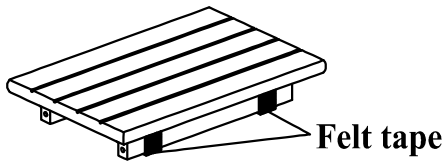


E
Wood Button
14 PCS



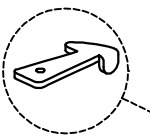
F
Allen Wrench
1 PC

①

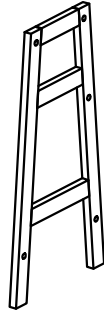
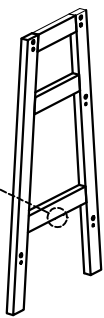


② LEFT

③ RIGHT



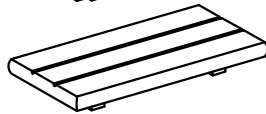
Metal latch



④a with FELT TAPE

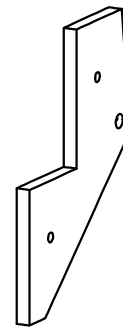
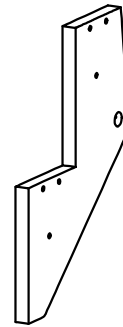


④b

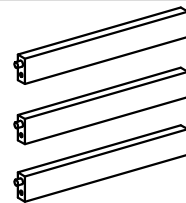


⑤ LEFT

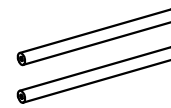
⑥ RIGHT



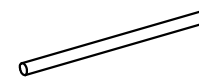
⑦



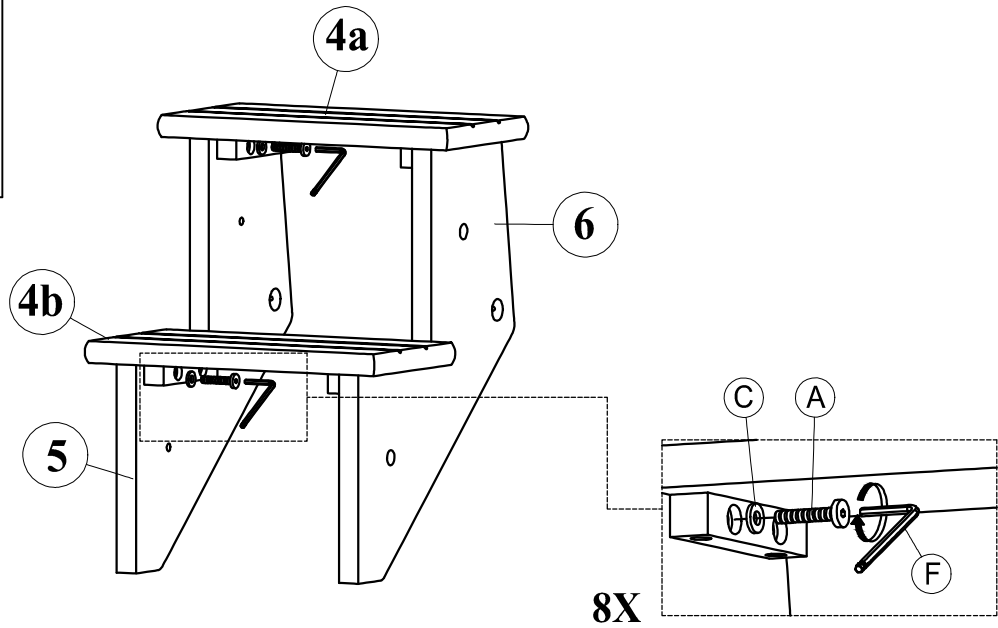
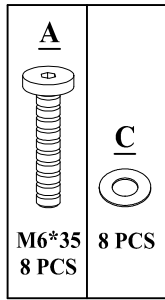
⑧



⑨

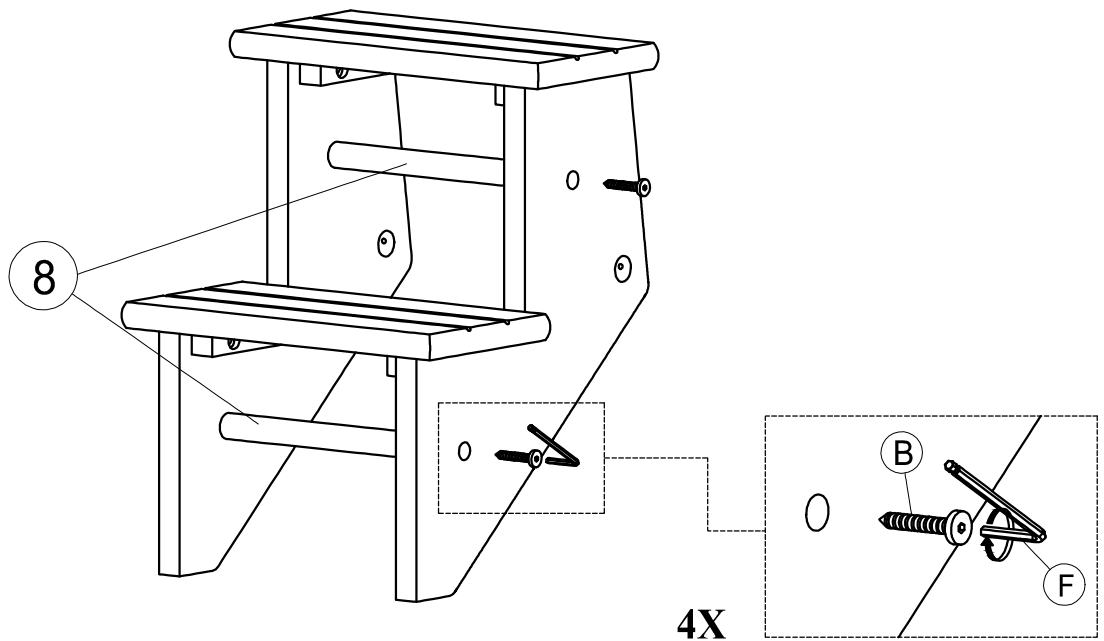
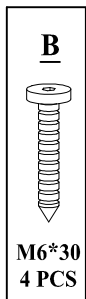


01



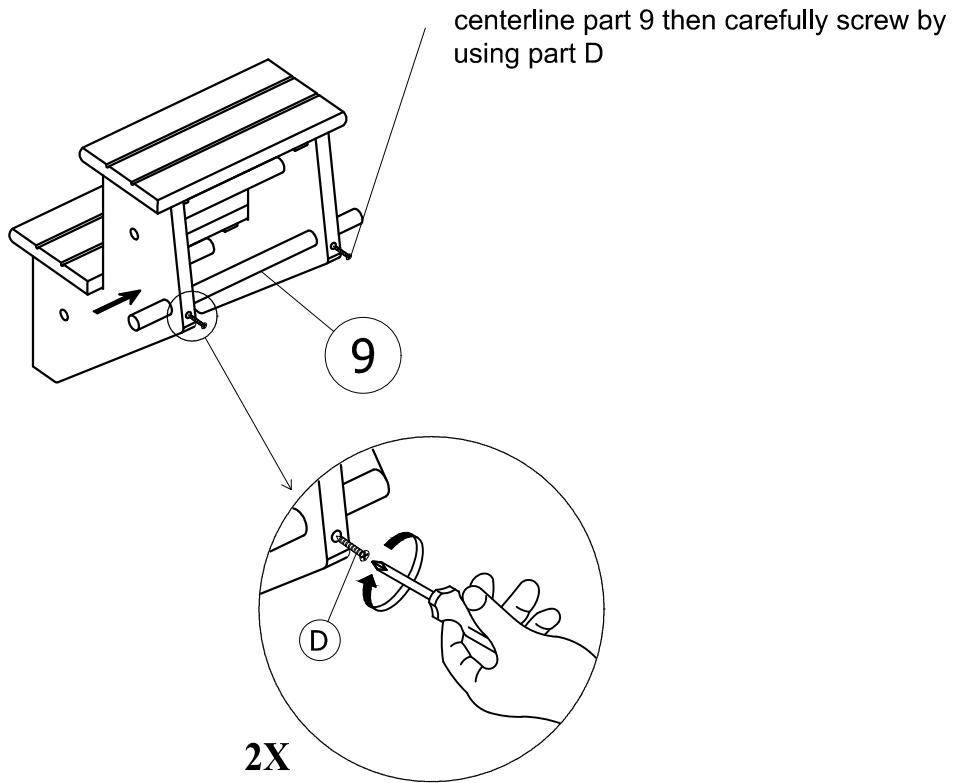
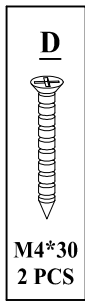
DO NOT TIGHTEN BOLT COMPLETELY.

02



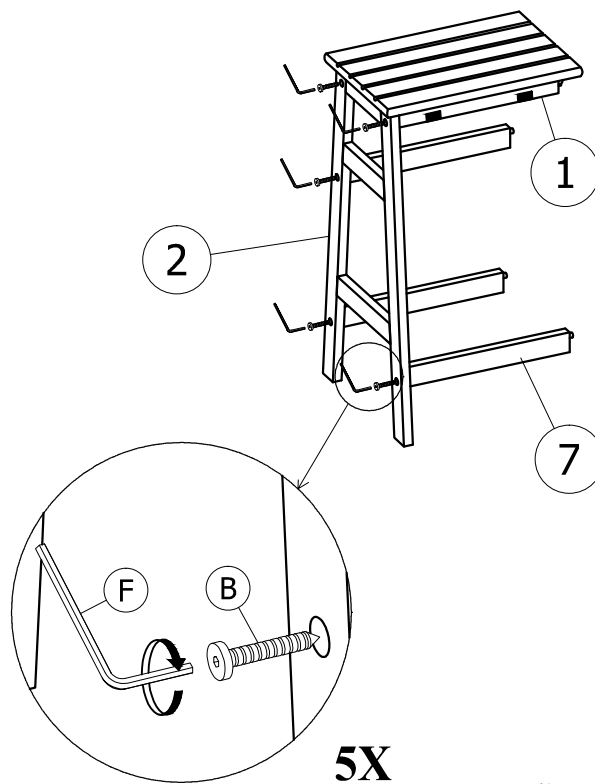
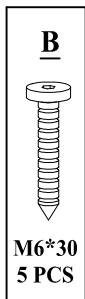
DO NOT TIGHTEN BOLT COMPLETELY.

03



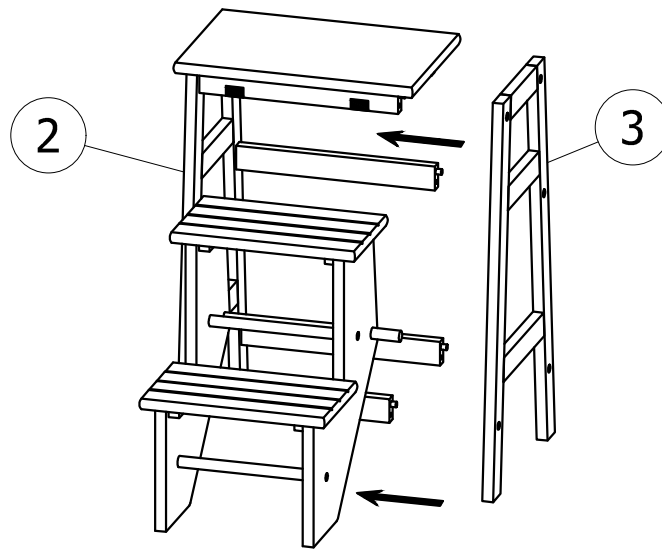
TIGHTEN SCREW COMPLETELY.

04

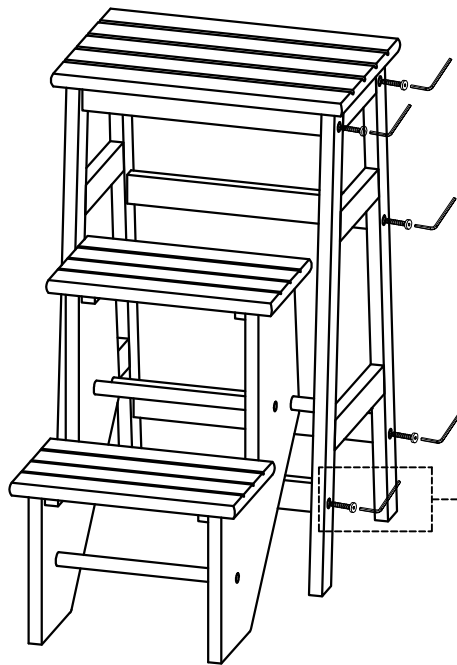
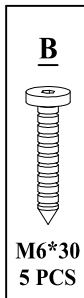


TIGHTEN SCREW COMPLETELY.

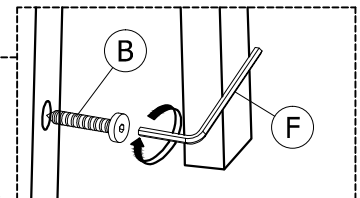
05



06



5X



TIGHTEN BOLT AND SCREW COMPLETELY.

07

