

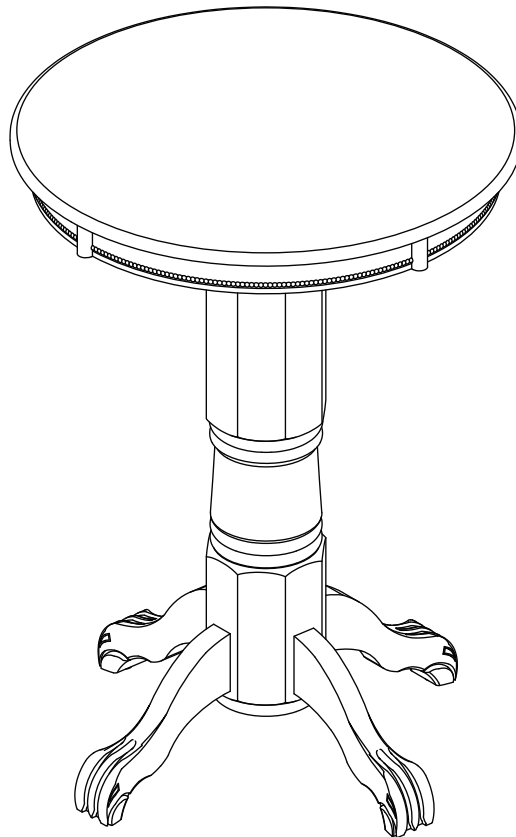


# Boraam Industries

ASSEMBLY INSTRUCTIONS

SKU: 71142,71242,71342,71442  
71542,71642,71742,71842,71942

## FLORENCE PUB TABLE



Weight Capacity

Version 1 / Updated as of 11-20-23



Have questions about assembling your item?



Items or parts damaged?



Missing a part?

**We're here to help! (Monday-Friday from 9am-5pm CST)**



847-949-6300  
877-267-2261



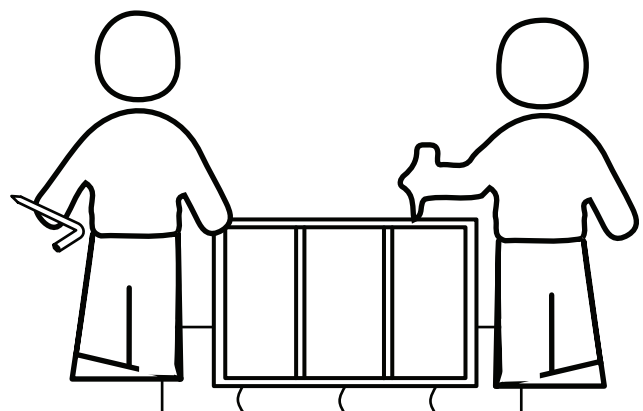
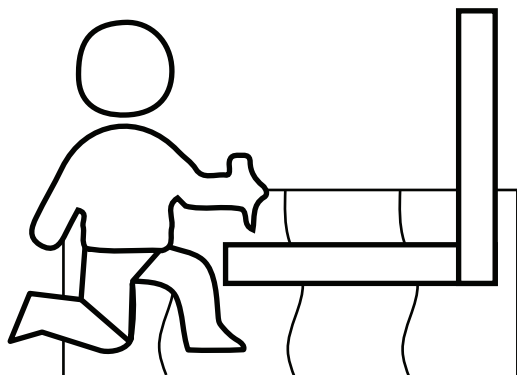
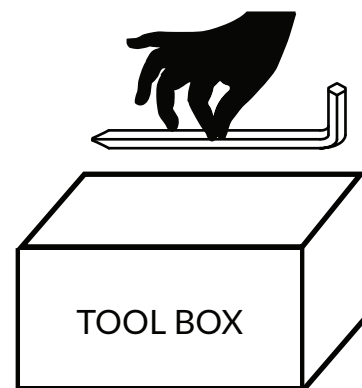
customerservice@  
boraamindustries.com



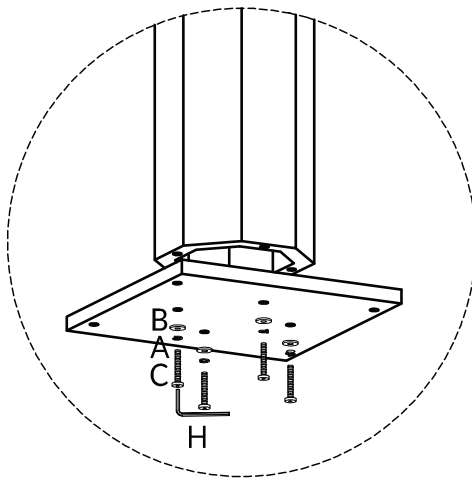
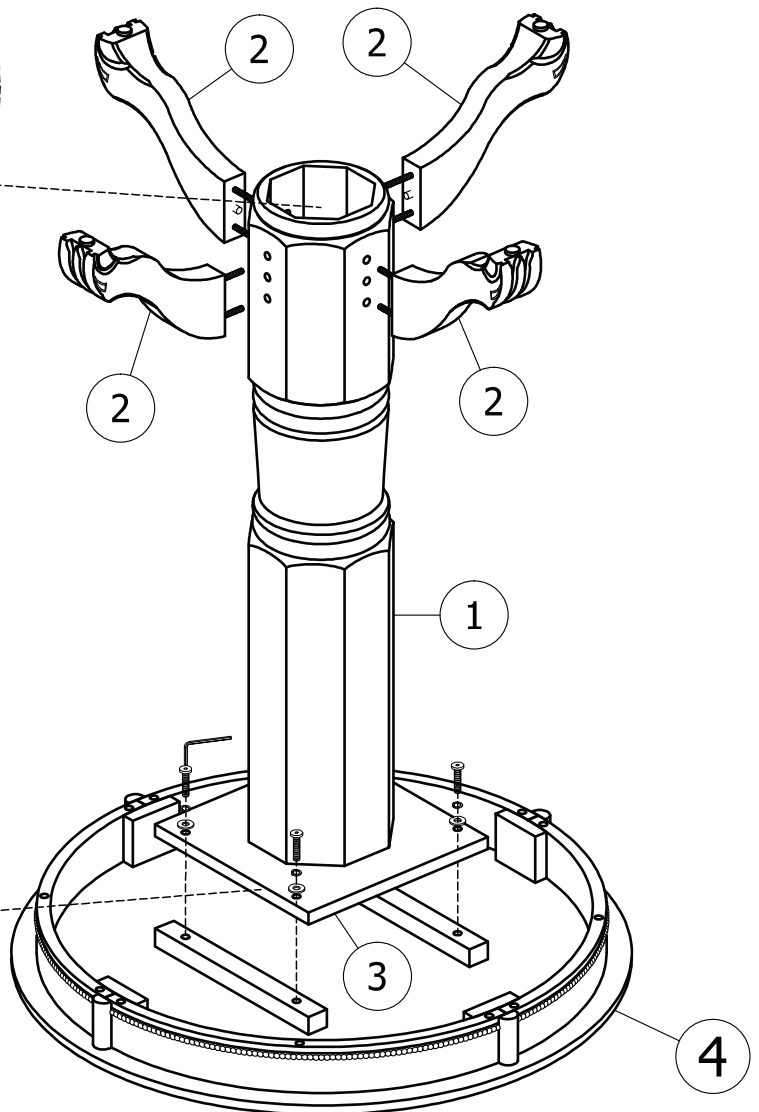
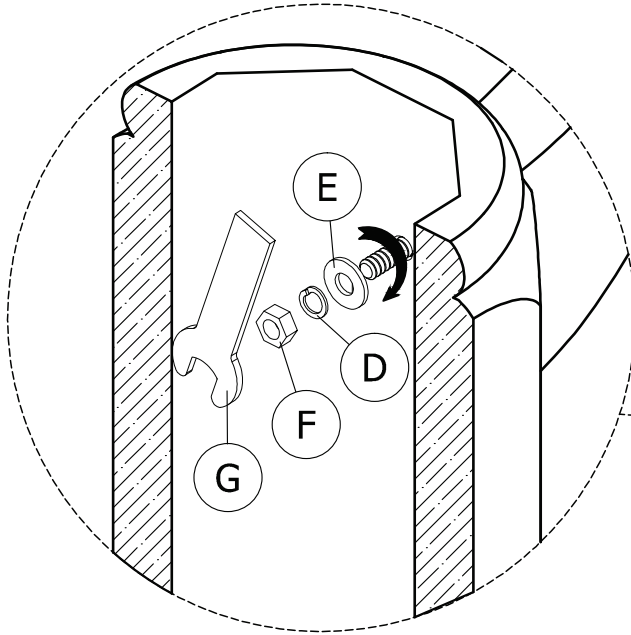
www.boraamindustries.com

# Assembly And Care

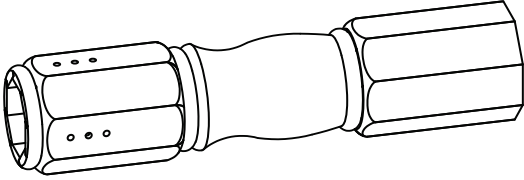
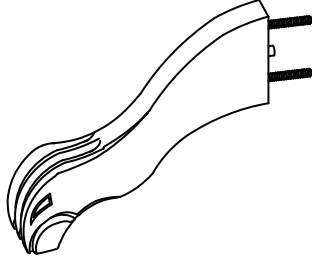
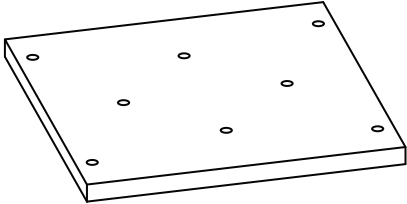
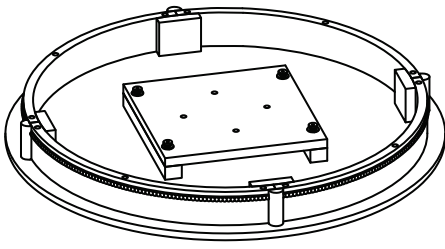
- All tools required for assembly are included unless noted.
- Prior to assembly, check for missing or damaged parts.
- Do not dispose of packaging materials until assembly is completed.
- Assemble item on a soft, clean surface to prevent damage to the item.




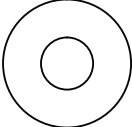
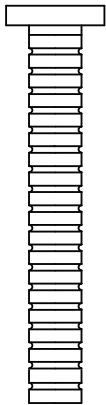

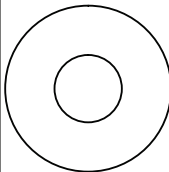
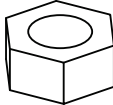
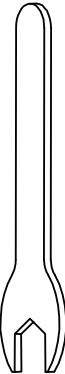

# Assembly Overview



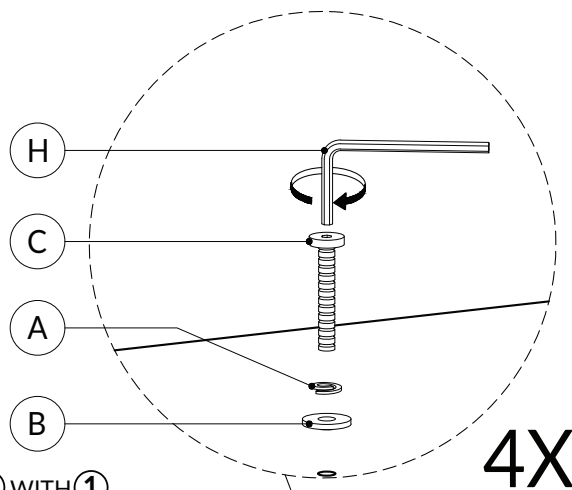
# PARTS

① (x1)	② (x4)
<b>Pedestal:</b> 	<b>Empire Leg:</b> 
③ (x1)	④ (x1)
<p>REMOVED FROM ④</p> 	<b>Top Panel:</b> 

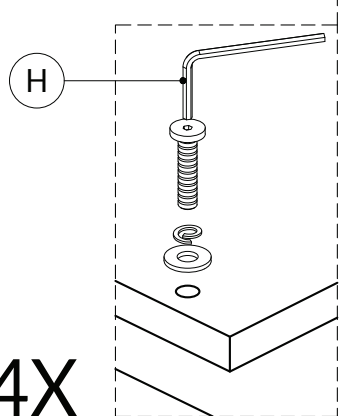
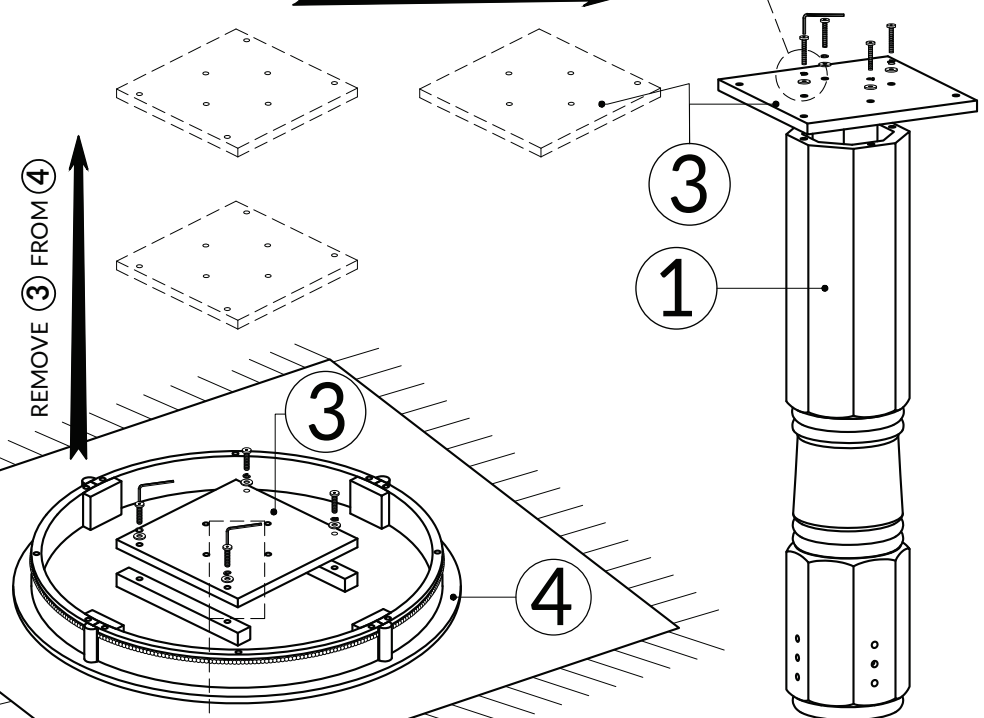
# HARDWARE

A (x4)	B (x4)	C (x4)	D (x8)	E (x8)	F (x8)	G (x1)	H (x1)
							
Spring Washer M6*10	Flat Washer M6*16	Bolt M6x45	Spring Washer M8*13	Flat Washer M8*19	Nut M8*13	Wrench K13*90	Allen Wrench M4*110

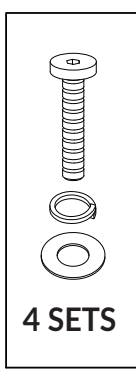
# 01



ASSEMBLE ③ WITH ①



HOLD FOR STEP 2

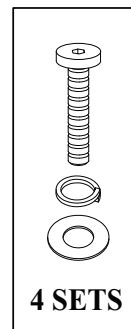
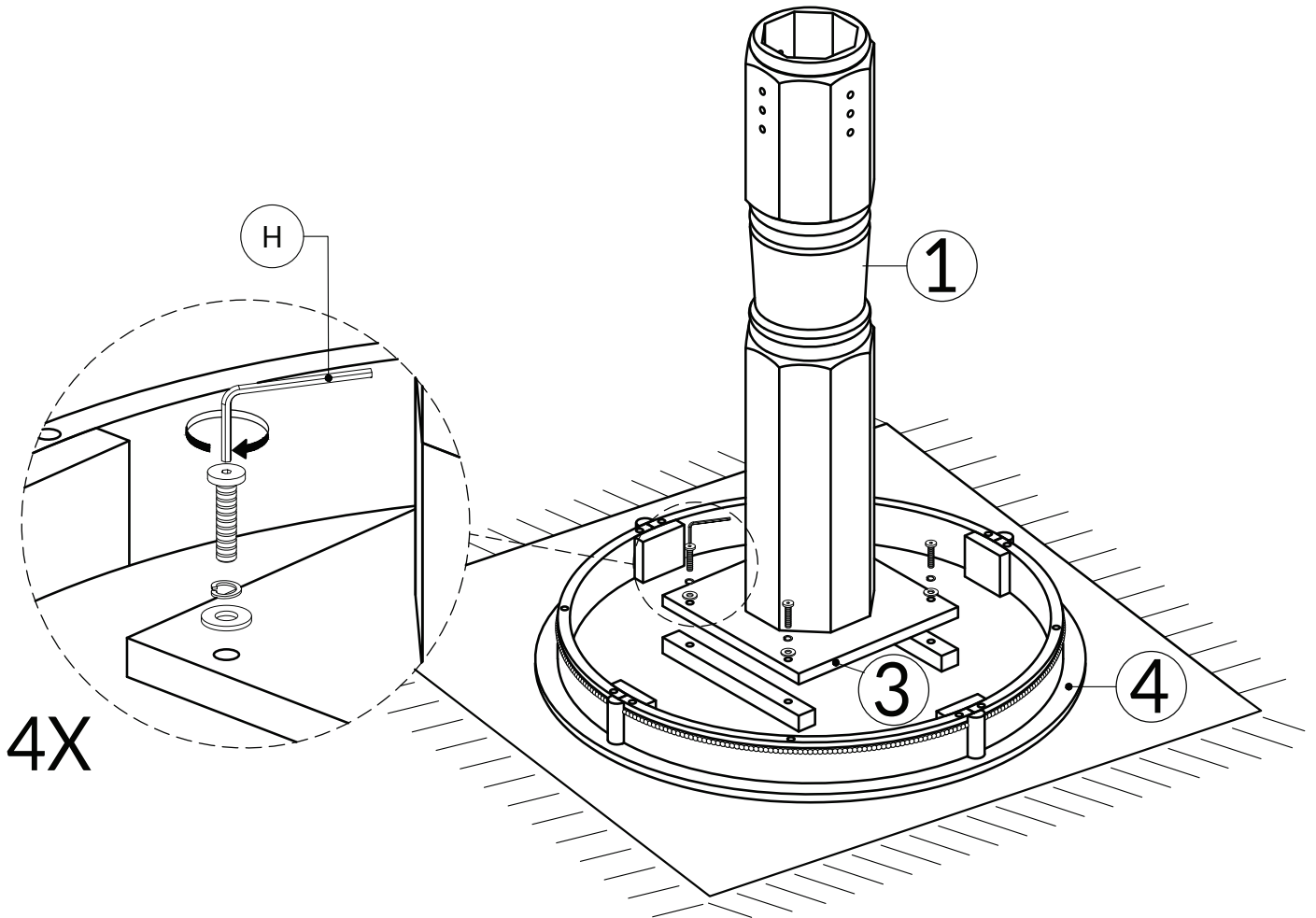


Hardware	Count
A	4
B	4
C	4
H	1

TIGHTEN BOLT COMPLETELY.

# 02

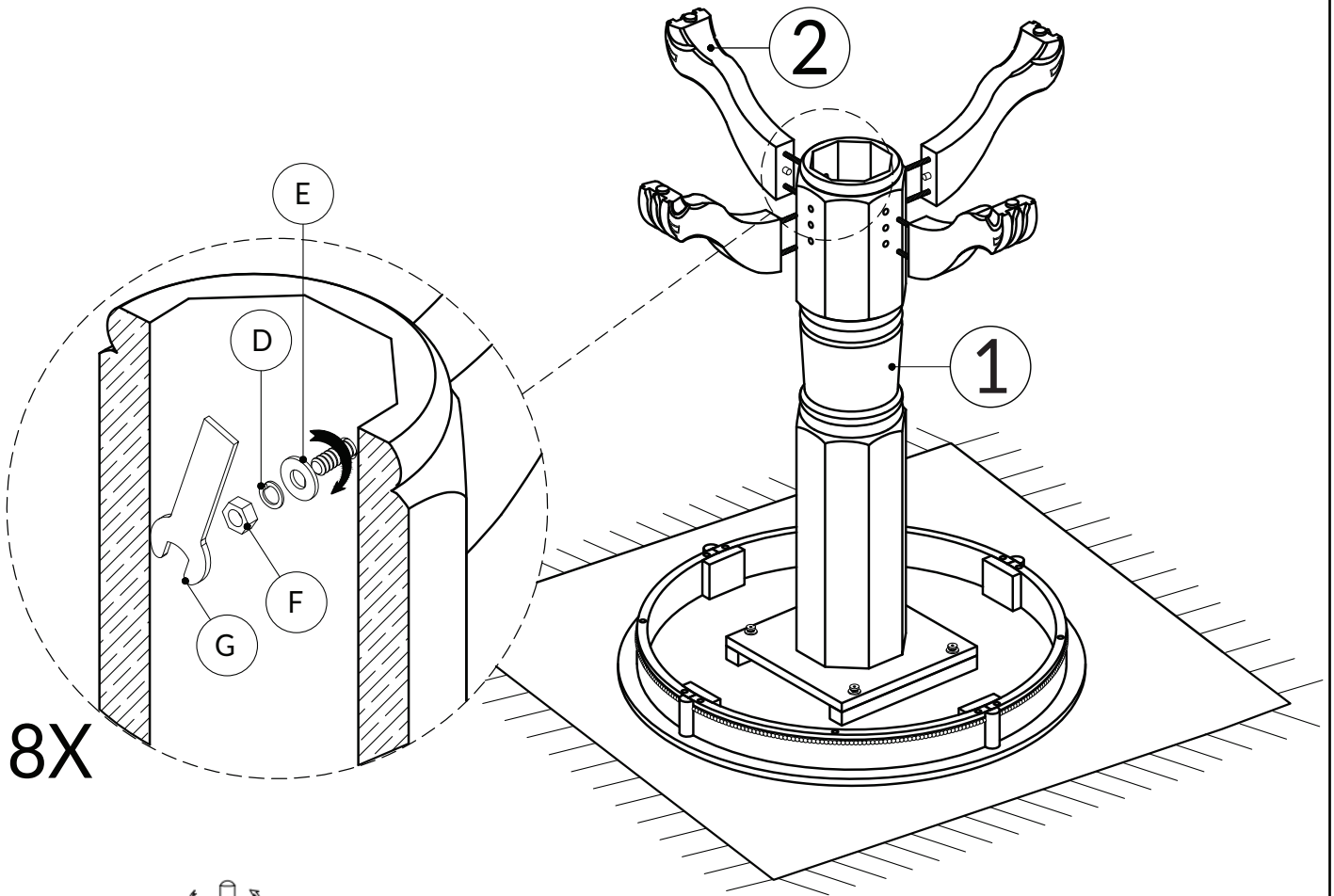
ASSEMBLY GROUP ③① INTO ④ BY  
HARDWARE DISCONNECTED IN STEP 1



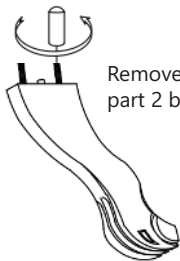
Hardware	Count
H	1

TIGHTEN BOLT COMPLETELY.

# 03



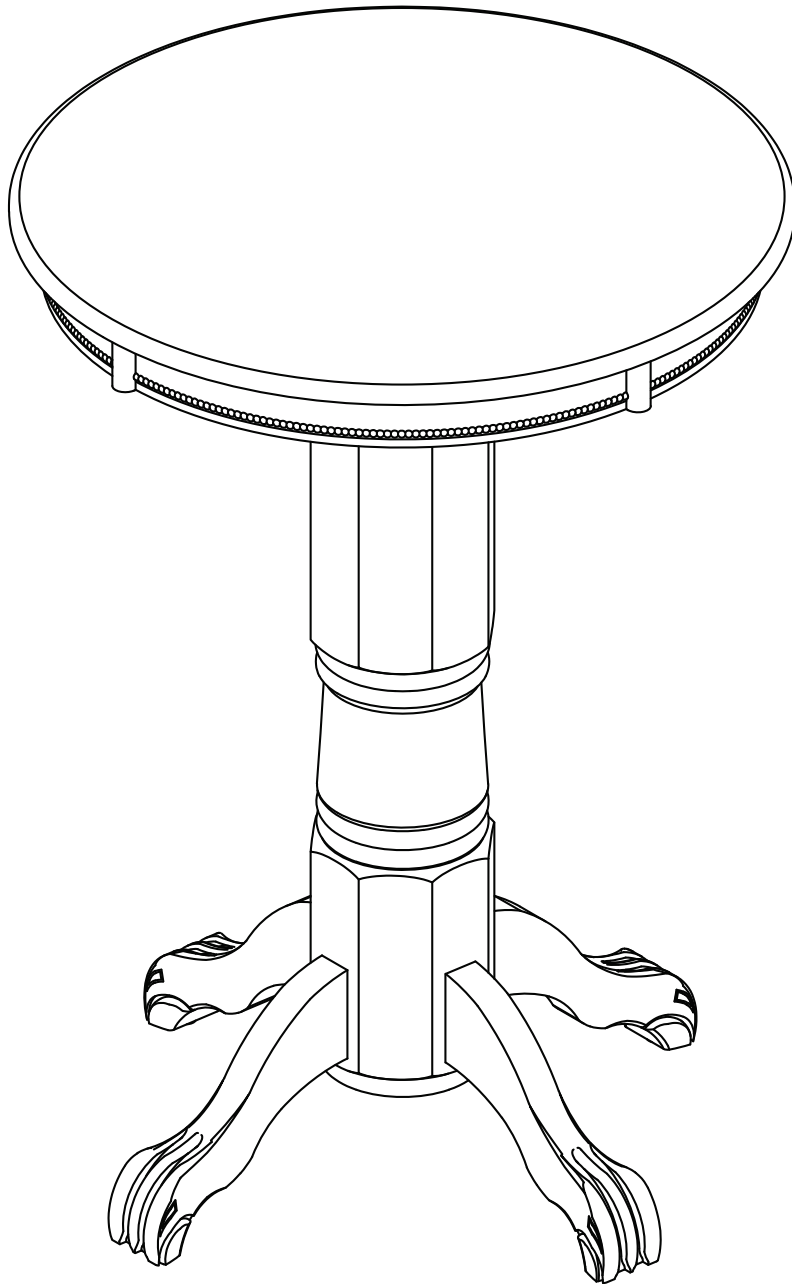
8X



Remove protective cap from part 2 before proceeding.

Hardware	Count
D	8
E	8
F	8
G	1

TIGHTEN HEX NUT COMPLETELY.



**Weight Capacity**

**BE SURE TO CHECK ALL BOLTS ARE SECURELY TIGHTENED PRIOR TO USE.**

847-949-6300 | 877-267-2261 | [customerservice@boraamindustries.com](mailto:customerservice@boraamindustries.com)