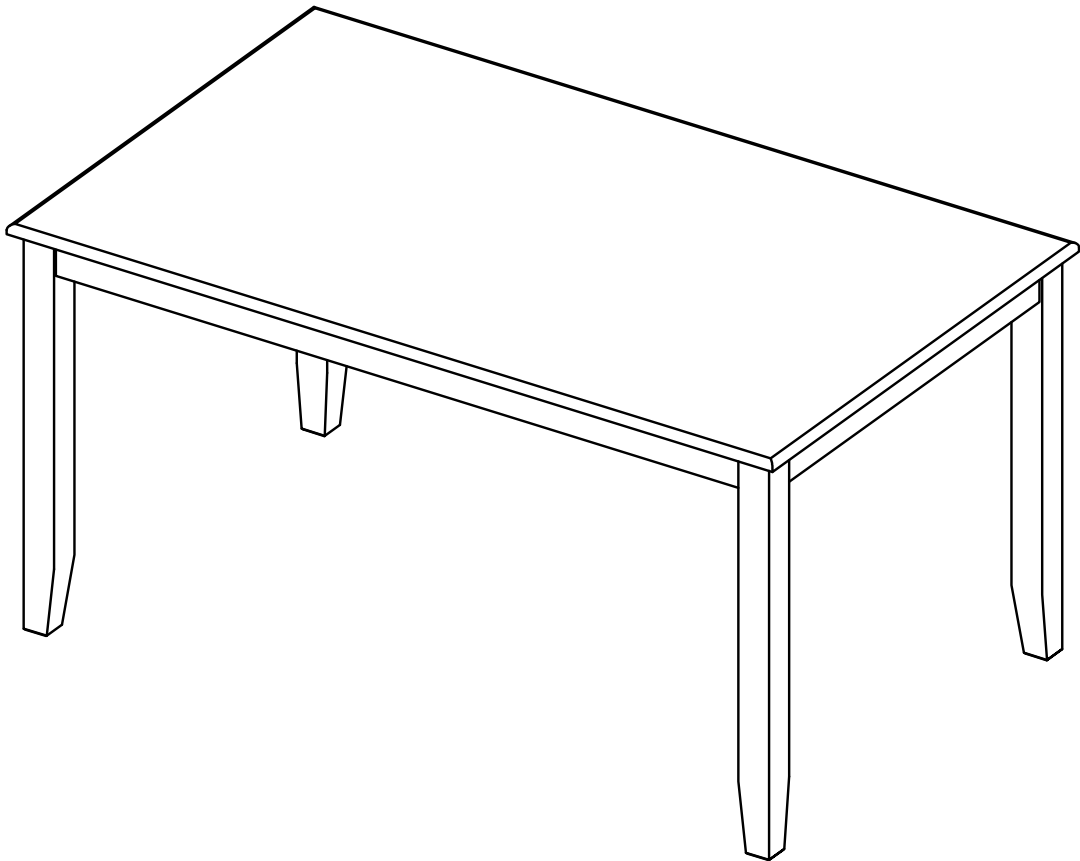




Boraam Industries

ASSEMBLY INSTRUCTIONS

SKU: 22030,21030 | BLOOMINGTON TABLE



Have questions about assembling your item?



Items or parts damaged?



Missing a part?

We're here to help! (Monday-Friday from 9am-5pm CST)



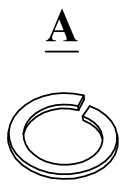
847-949-6300
877-267-2261



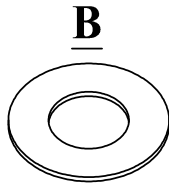
customerservice@
boraamindustries.com



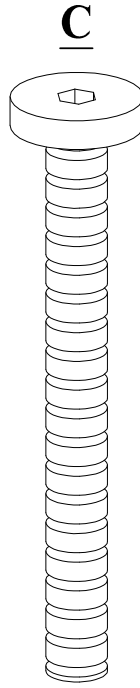
www.boraamindustries.com



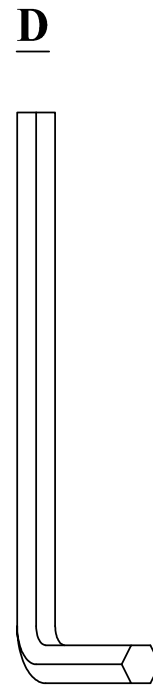
Spring Washer
8 PCS



Flat Washer
8 PCS

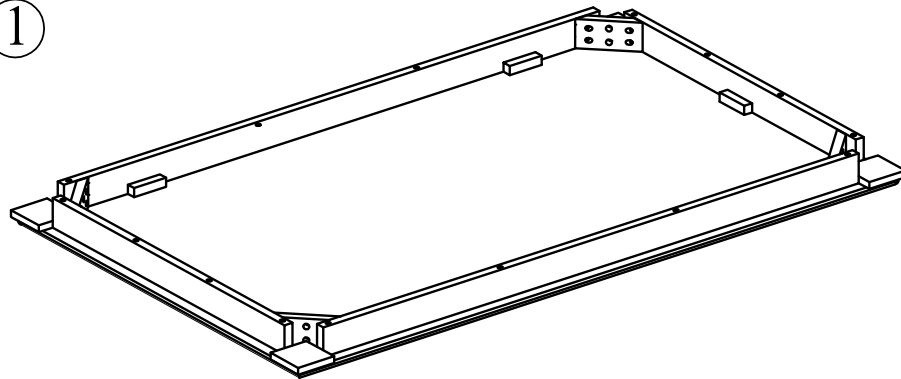


M8*70
8 PCS

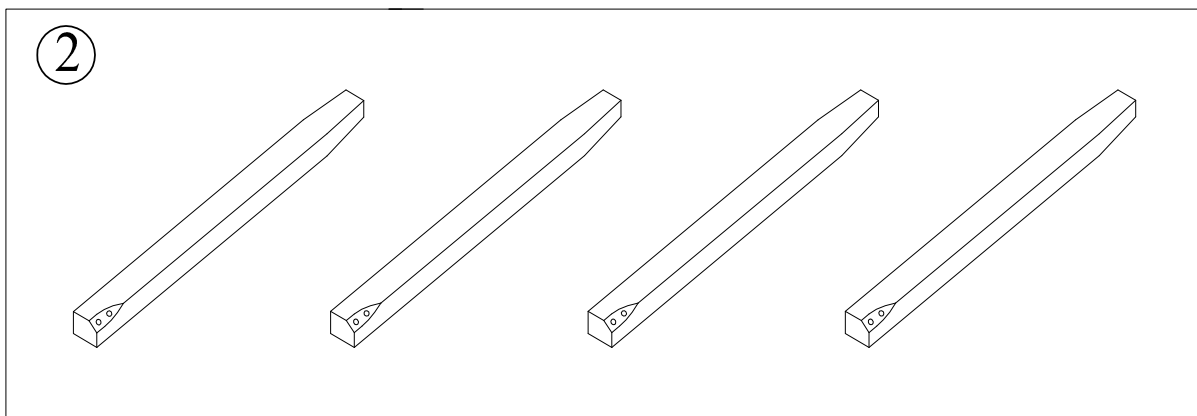


Allen Wrench
1 PC

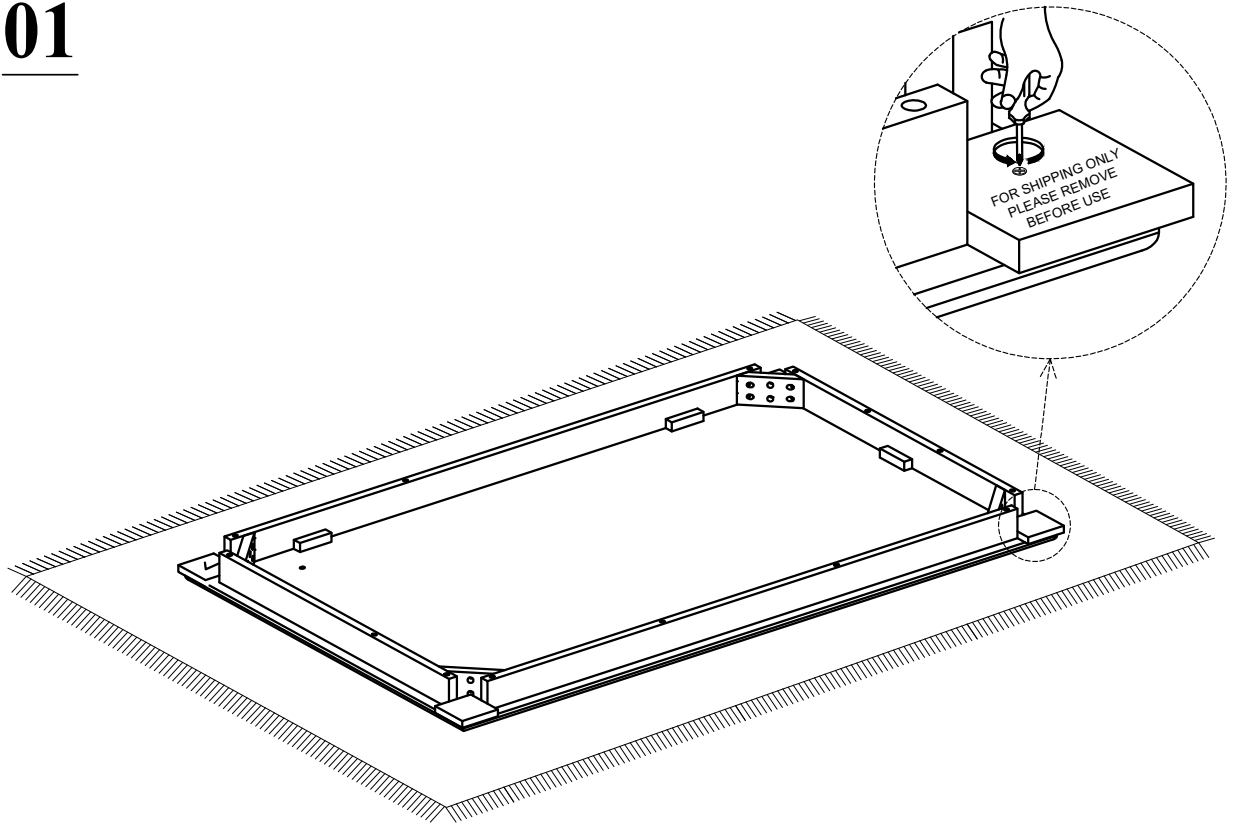
①



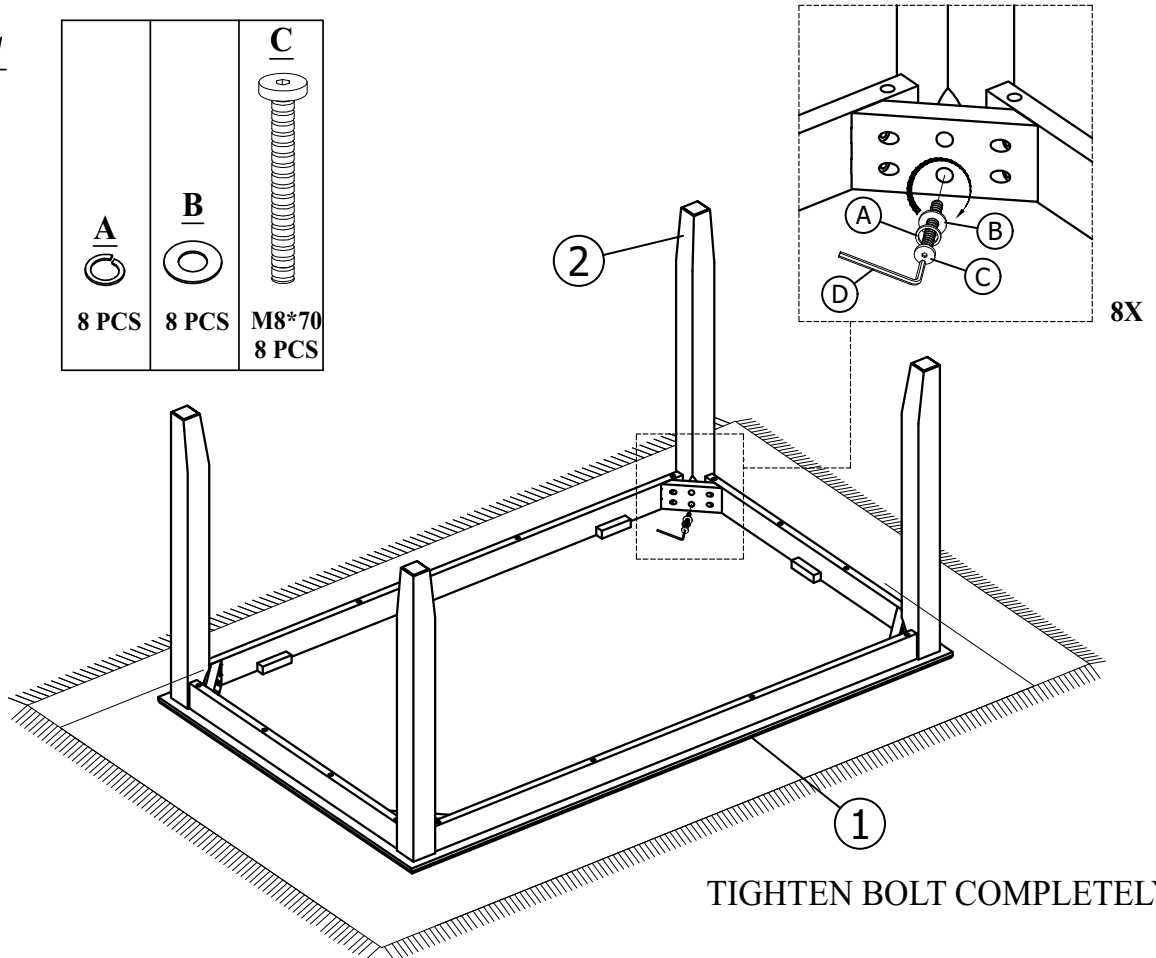
②

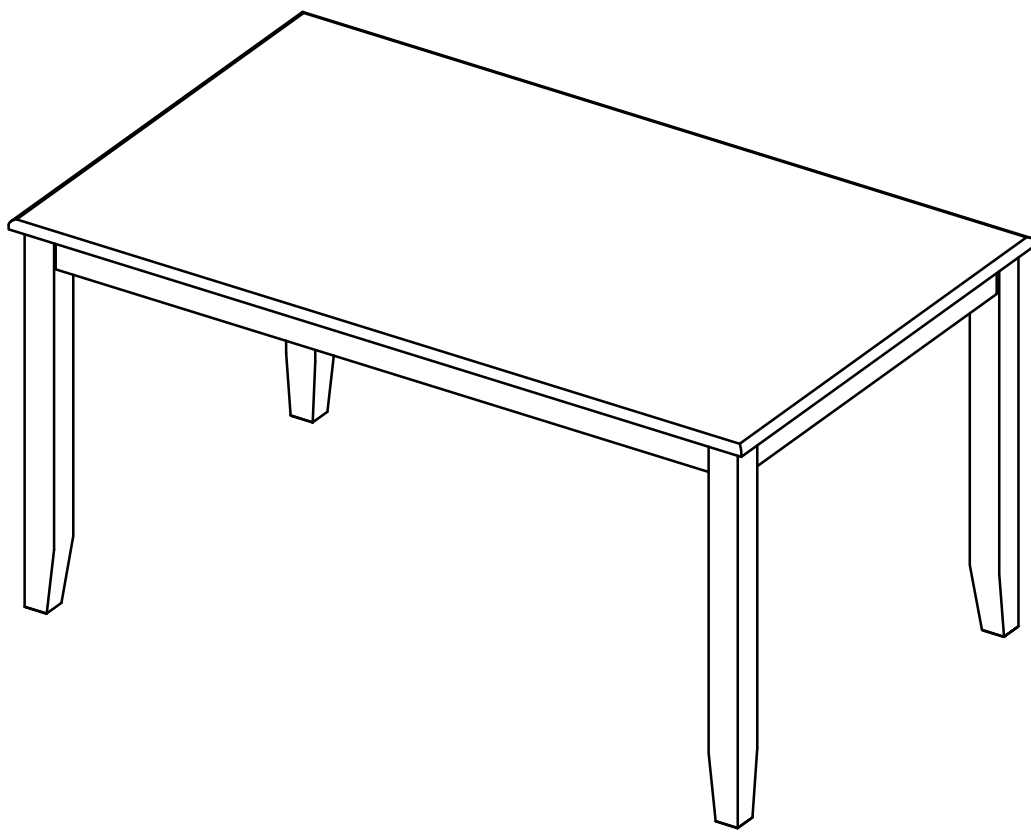


01



02





BE SURE TO CHECK ALL BOLTS ARE SECURELY TIGHTENED PRIOR USING THIS TABLE

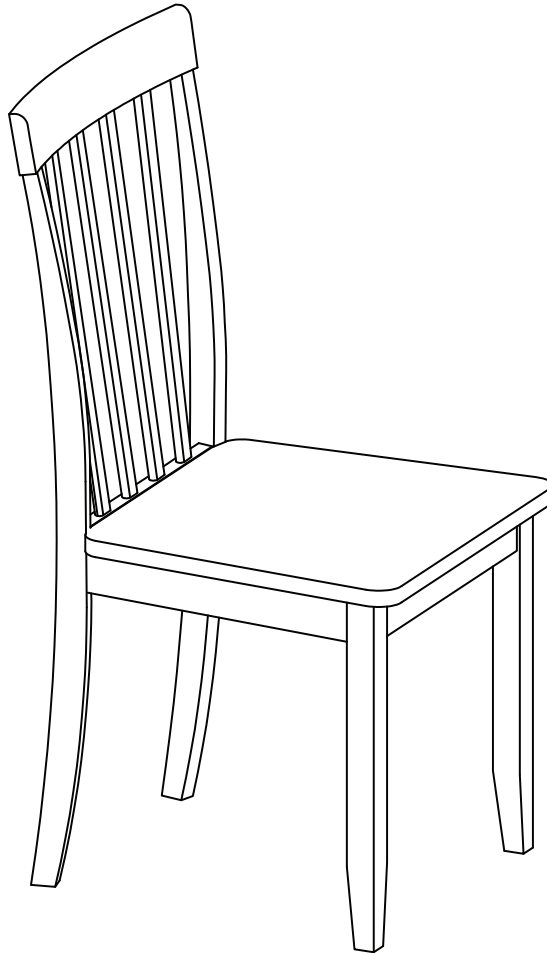
847-949-6300 | 877-267-2261 | customerservice@boraamindustries.com



Boraam Industries

ASSEMBLY INSTRUCTIONS

SKU: 22031,21031 | BLOOMINGTON DINING CHAIR



Have questions about
assembling your item?



Items or parts damaged?



Missing a part?

We're here to help! (Monday-Friday from 9am-5pm CST)



847-949-6300
877-267-2261



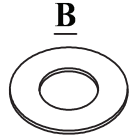
customerservice@
boraamindustries.com



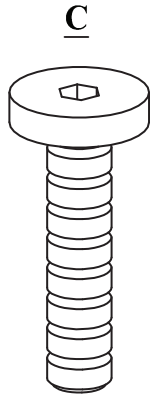
www.boraamindustries.com



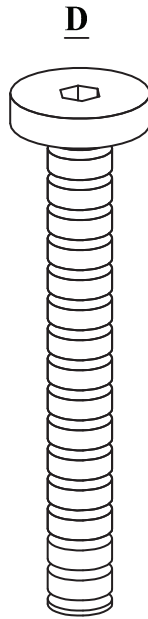
A
Spring Washer
9 PCS



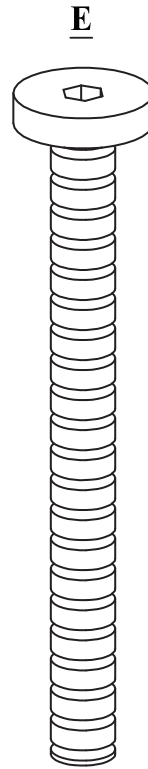
B
Flat Washer
9 PCS



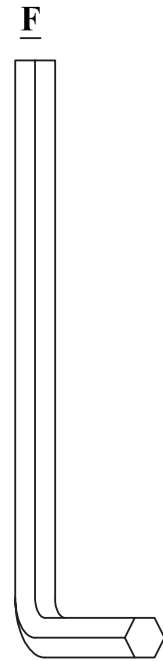
C
M6*35
1 PC



D
M6*60
4 PCS

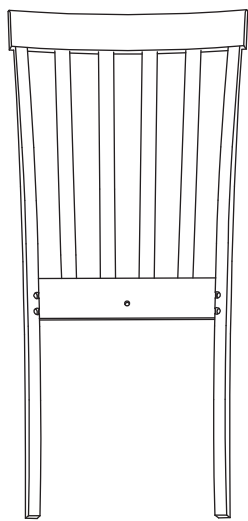


E
M6*80
4 PCS

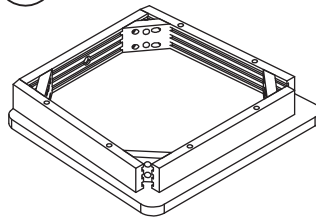


F
Allen Wrench
1 PC

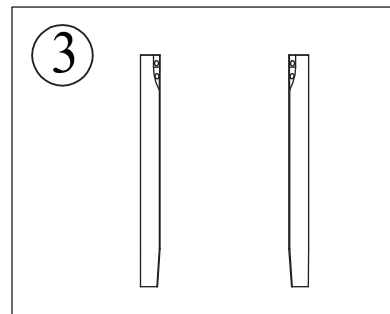
①





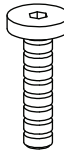
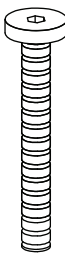
②

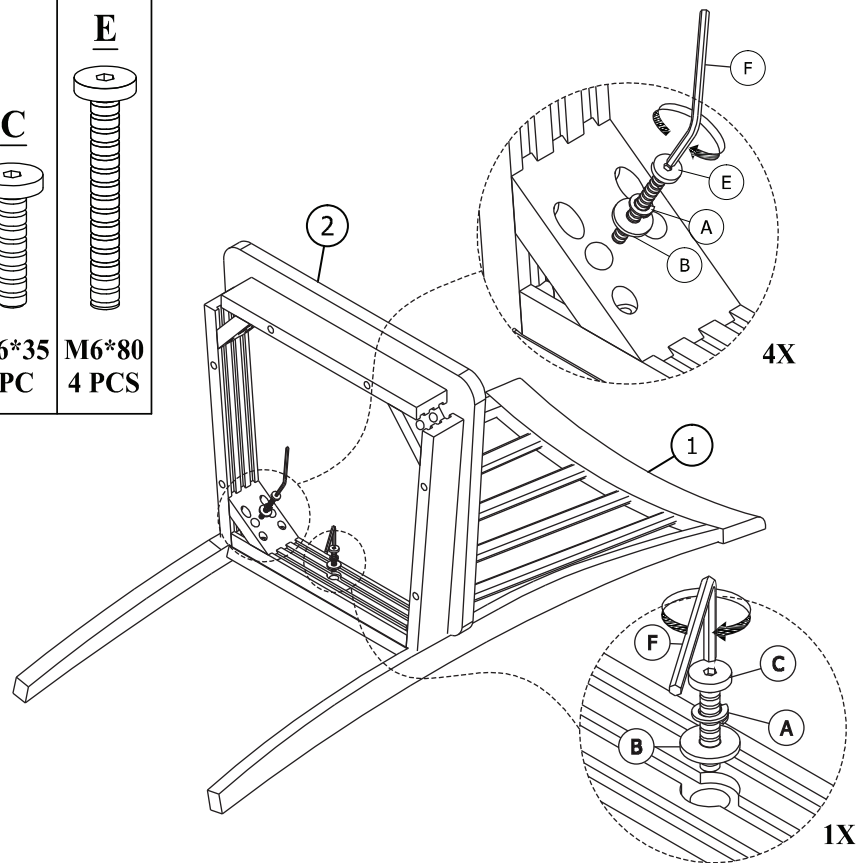


③





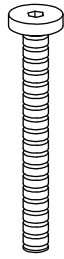
01

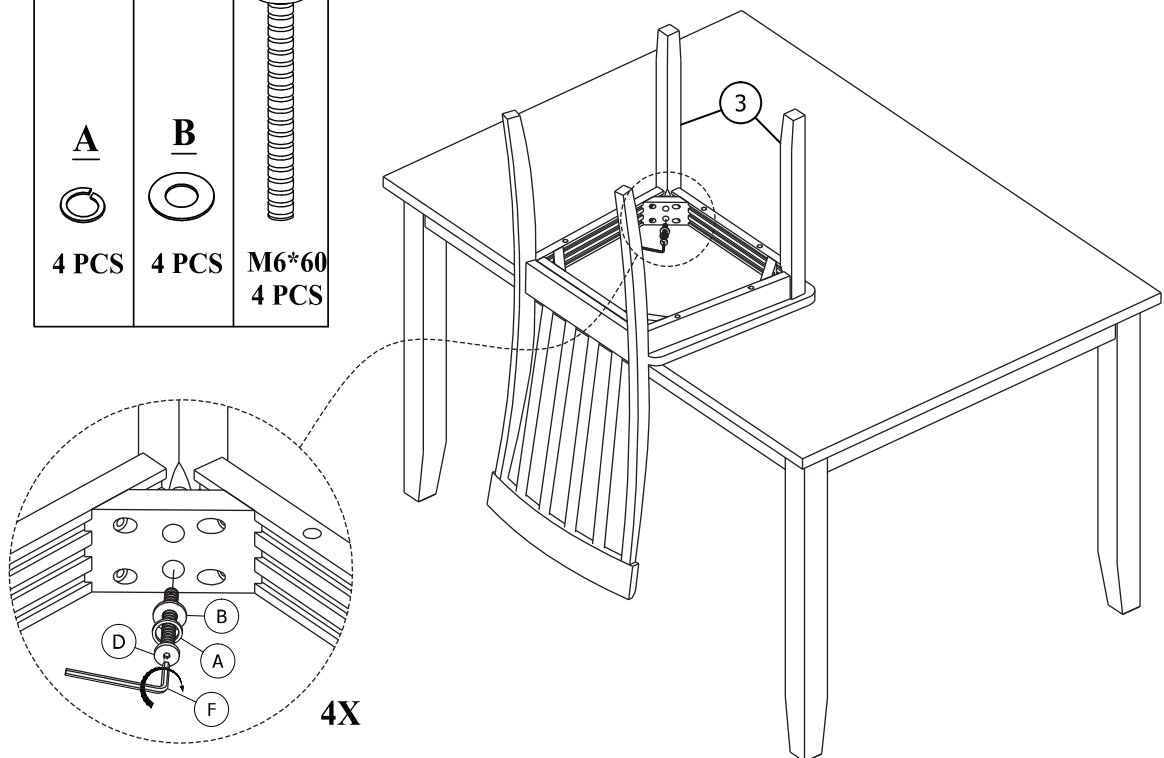
A  5 PCS	B  5 PCS	C  M6*35 1PC	E  M6*80 4 PCS
--	--	---	---



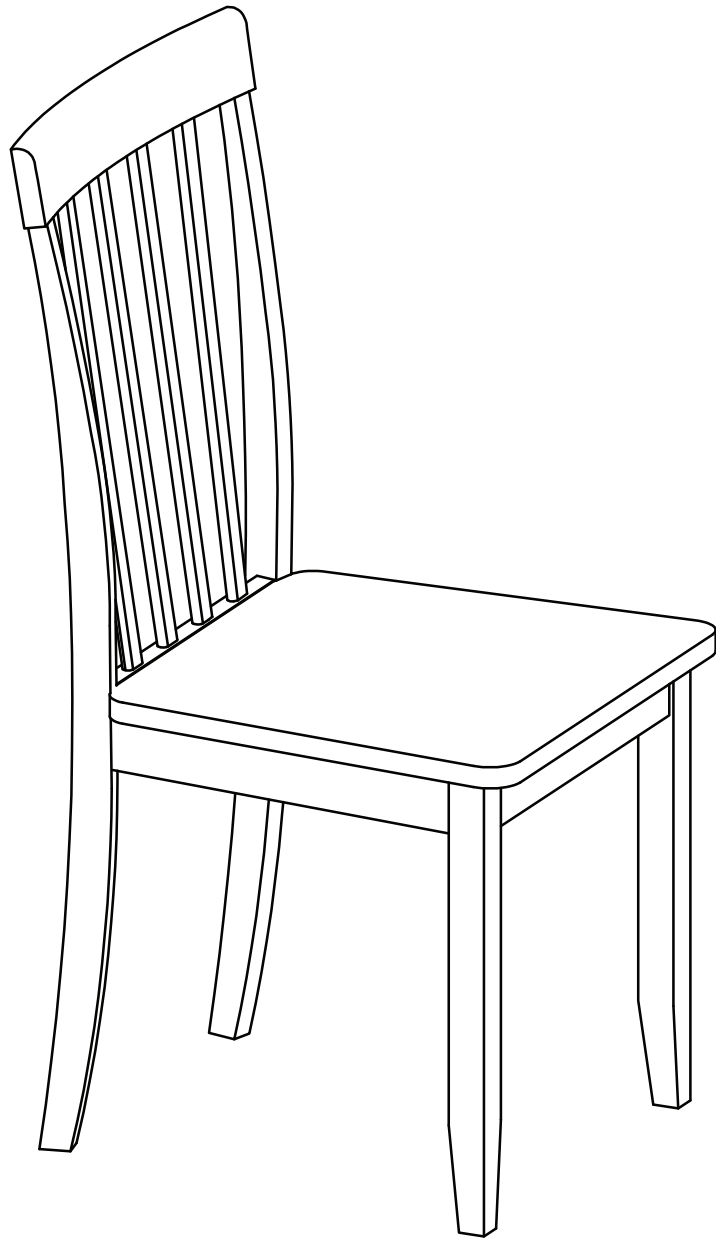
TIGHTEN BOLT COMPLETELY.

02

A  4 PCS	B  4 PCS	D  M6*60 4 PCS
--	--	---



TIGHTEN BOLT COMPLETELY.



BE SURE TO CHECK ALL BOLTS ARE SECURELY TIGHTENED PRIOR USING THIS CHAIR

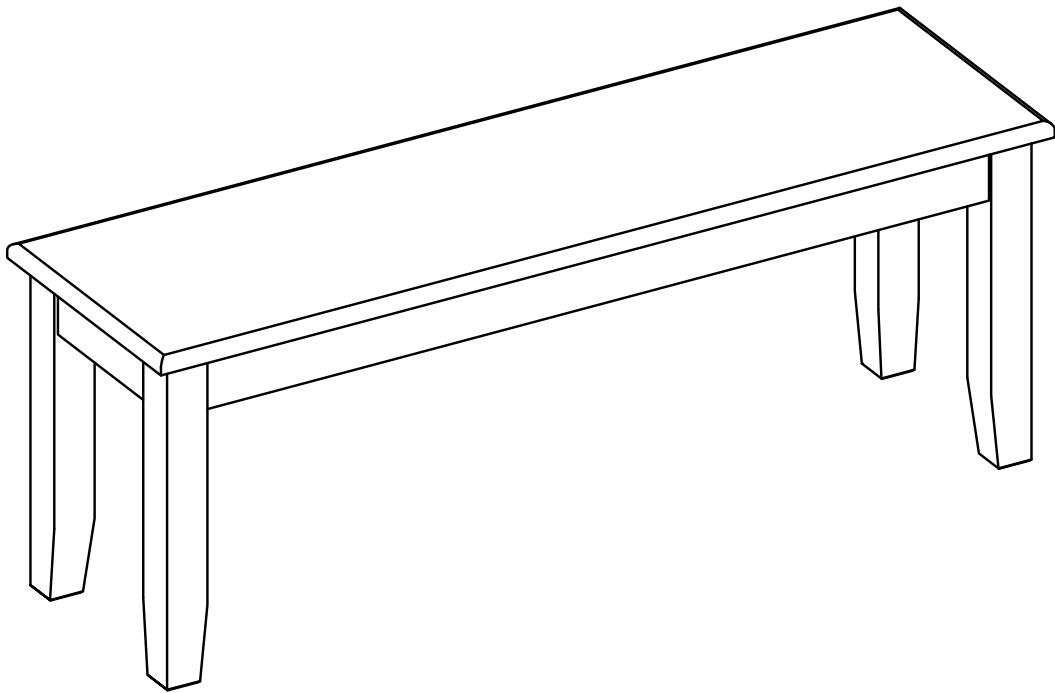
847-949-6300 | 877-267-2261 | customerservice@boraamindustries.com



Boraam Industries

ASSEMBLY INSTRUCTIONS

SKU: 21032,22032 | BLOOMINGTON BENCH



Have questions about assembling your item?



Items or parts damaged?



Missing a part?

We're here to help! (Monday-Friday from 9am-5pm CST)



847-949-6300
877-267-2261



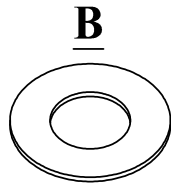
customerservice@
boraamindustries.com



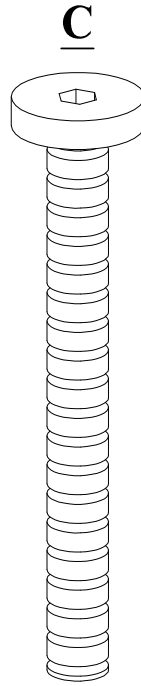
www.boraamindustries.com



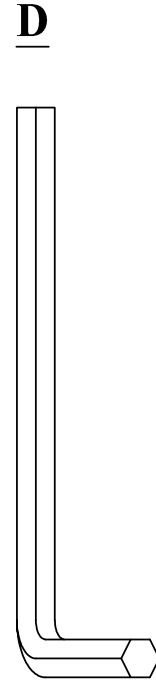
Spring Washer
8 PCS



Flat Washer
8 PCS

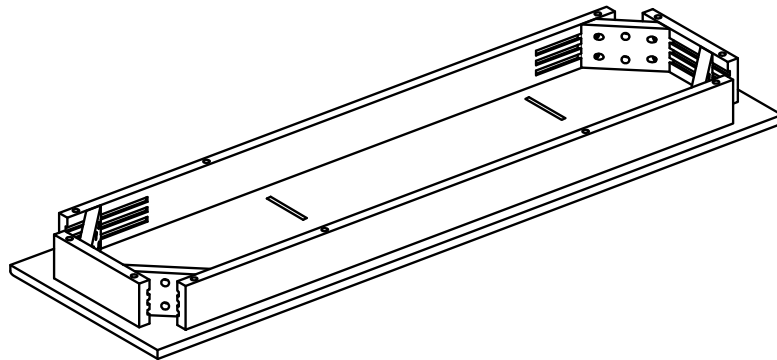


M8*70
8 PCS

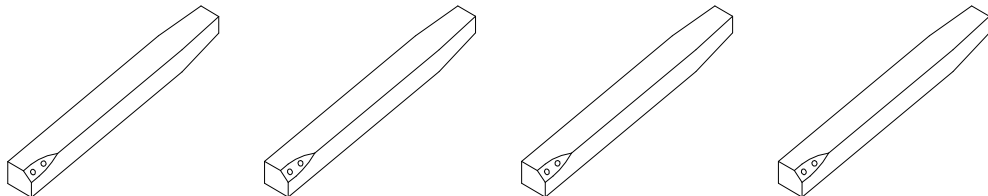


Allen Wrench
1 PC

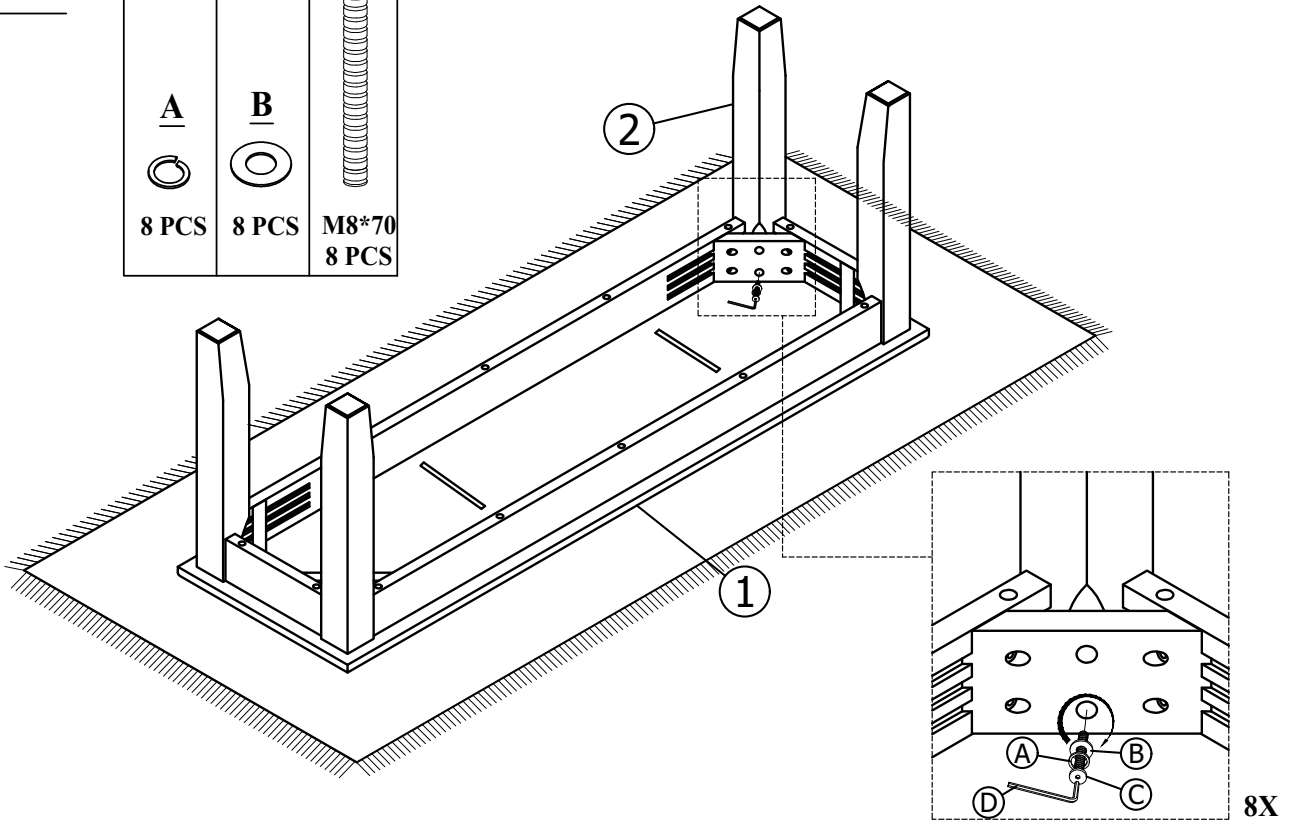
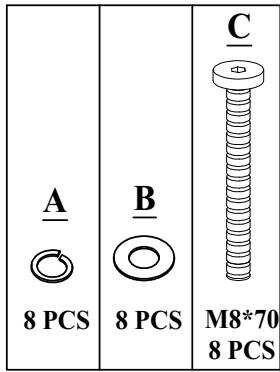
①



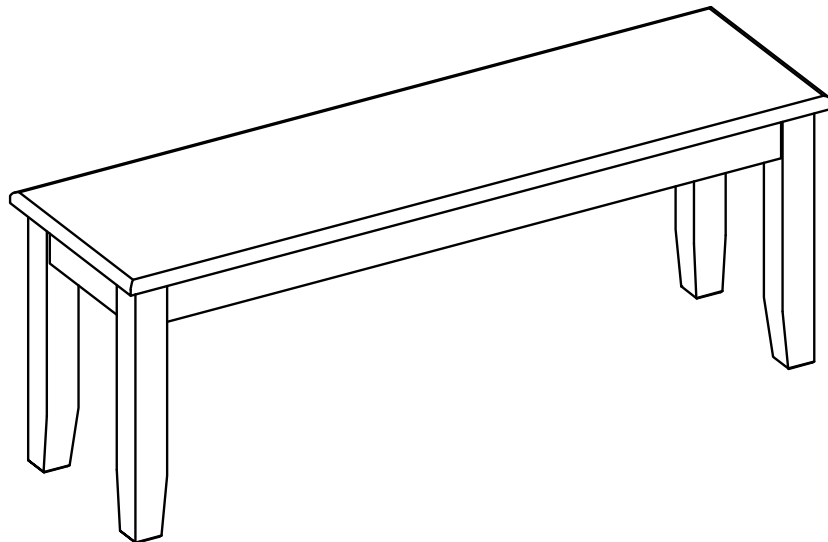
②



01



TIGHTEN BOLT COMPLETELY.



BE SURE TO CHECK ALL BOLTS ARE SECURELY TIGHTENED PRIOR USING THIS BENCH

847-949-6300 | 877-267-2261 | customerservice@boraamindustries.com