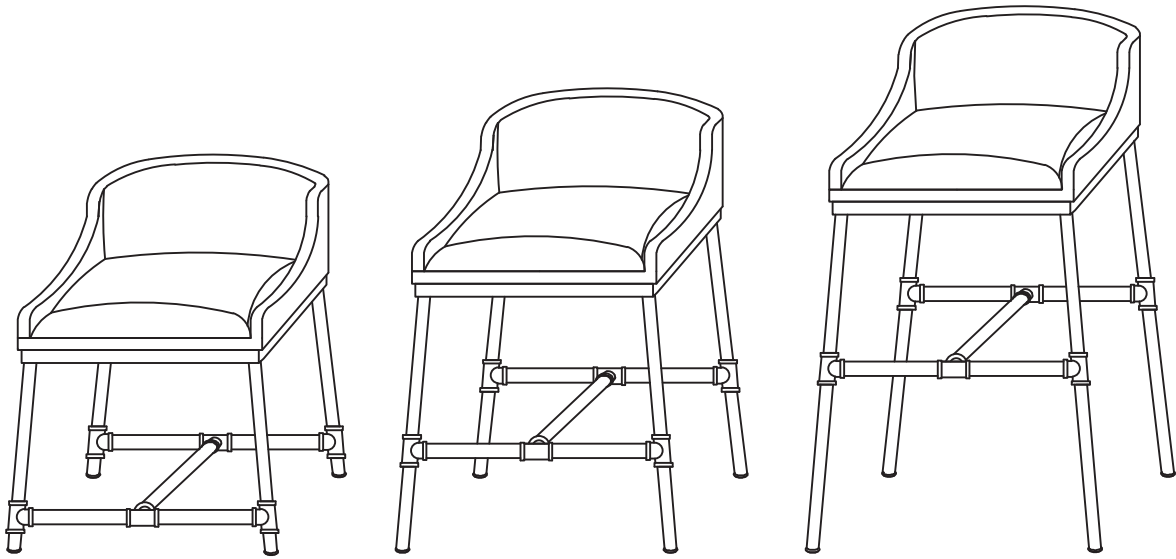


SKU:10143,10144,10145 | PARLOR UPHOLSTERED BAR STOOL



Have questions about
assembling your item?



Items or parts damaged?



Missing a part?

We're here to help! (Monday-Friday from 9am-5pm CST)



847-949-6300
877-267-2261



customerservice@
boraamindustries.com

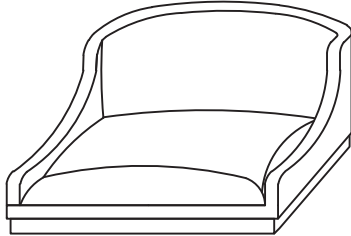


www.boraamindustries.com



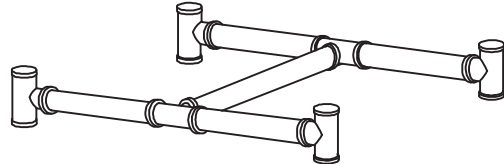
- Do not remove any stickers from parts until final assembly is complete!
- Unpack and inspect all parts for missing items or damage prior to assembly.
- Do not dispose of packing materials until assembly is completed.
- Assemble item on a soft, clean surface to prevent damage to the item.

1



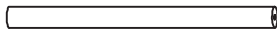
Seat Base

2



Leg Brace Assembly

3



Qty 4
Upper Legs

7



Qty 4
Feet

- Select part 4, 5 or 6 based on desired seat height.

4



Qty 4
Lower Legs
Bar Height-29"

5



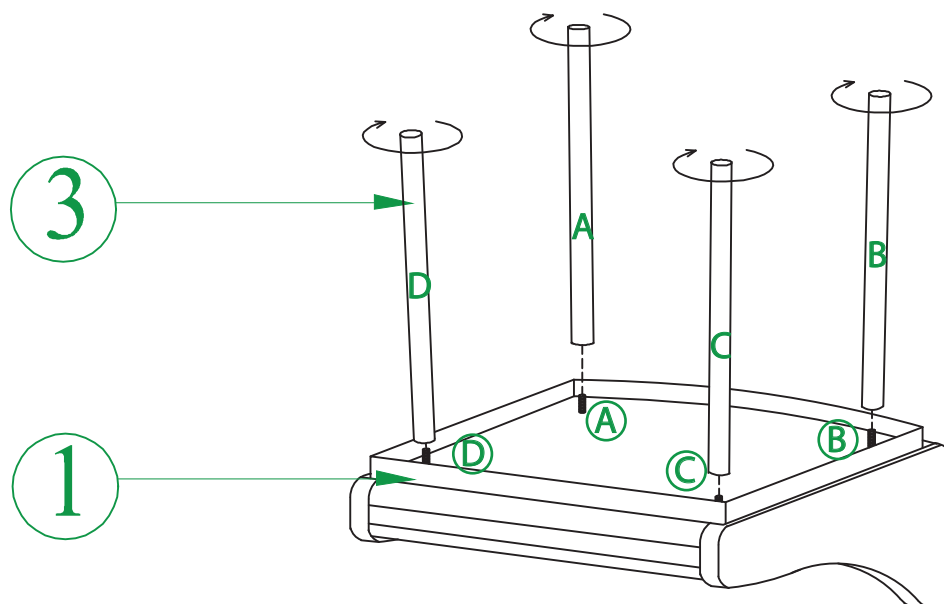
Qty 4
Lower Legs
Counter Height-24"

6



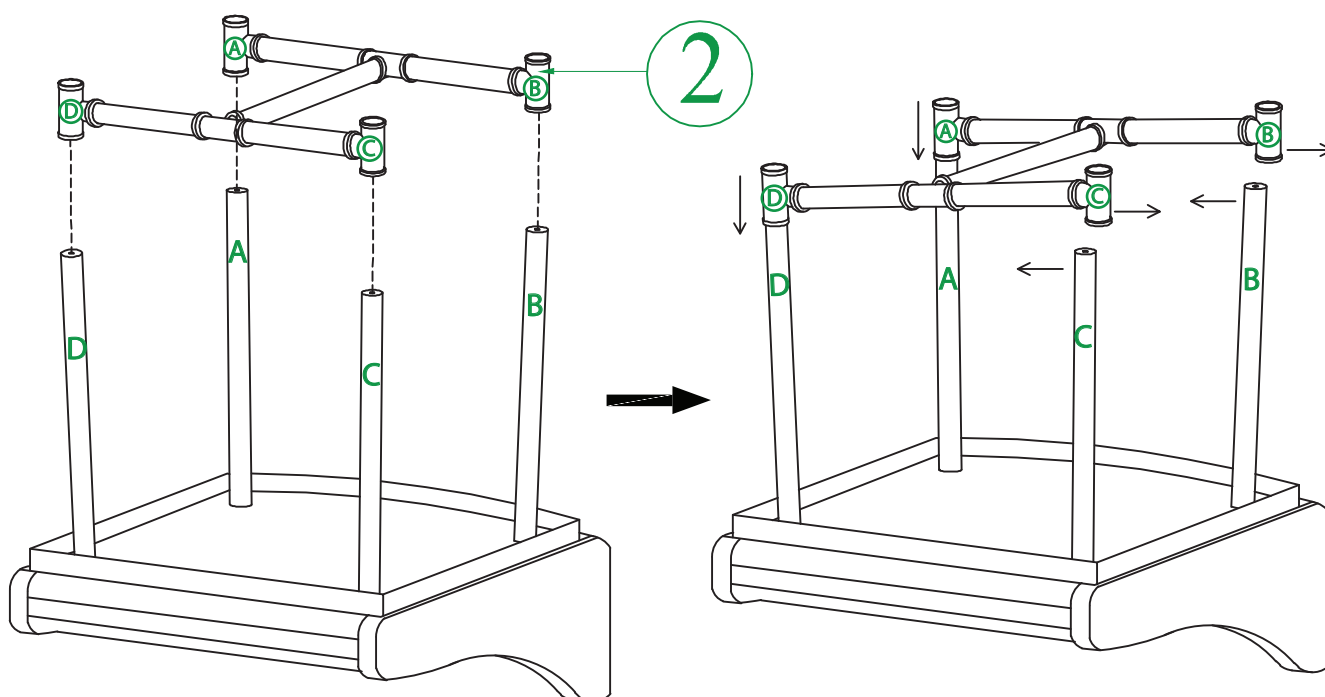
Qty 4
Lower Legs
Dining Height-18"

Step 1 - Locate upper legs ③ and seat base ①.



- Match letters on legs to letters on seat base to ensure correct installation location of legs.
- Loosely install legs by screwing into seat.

Step 2 - Locate leg brace assembly ②.



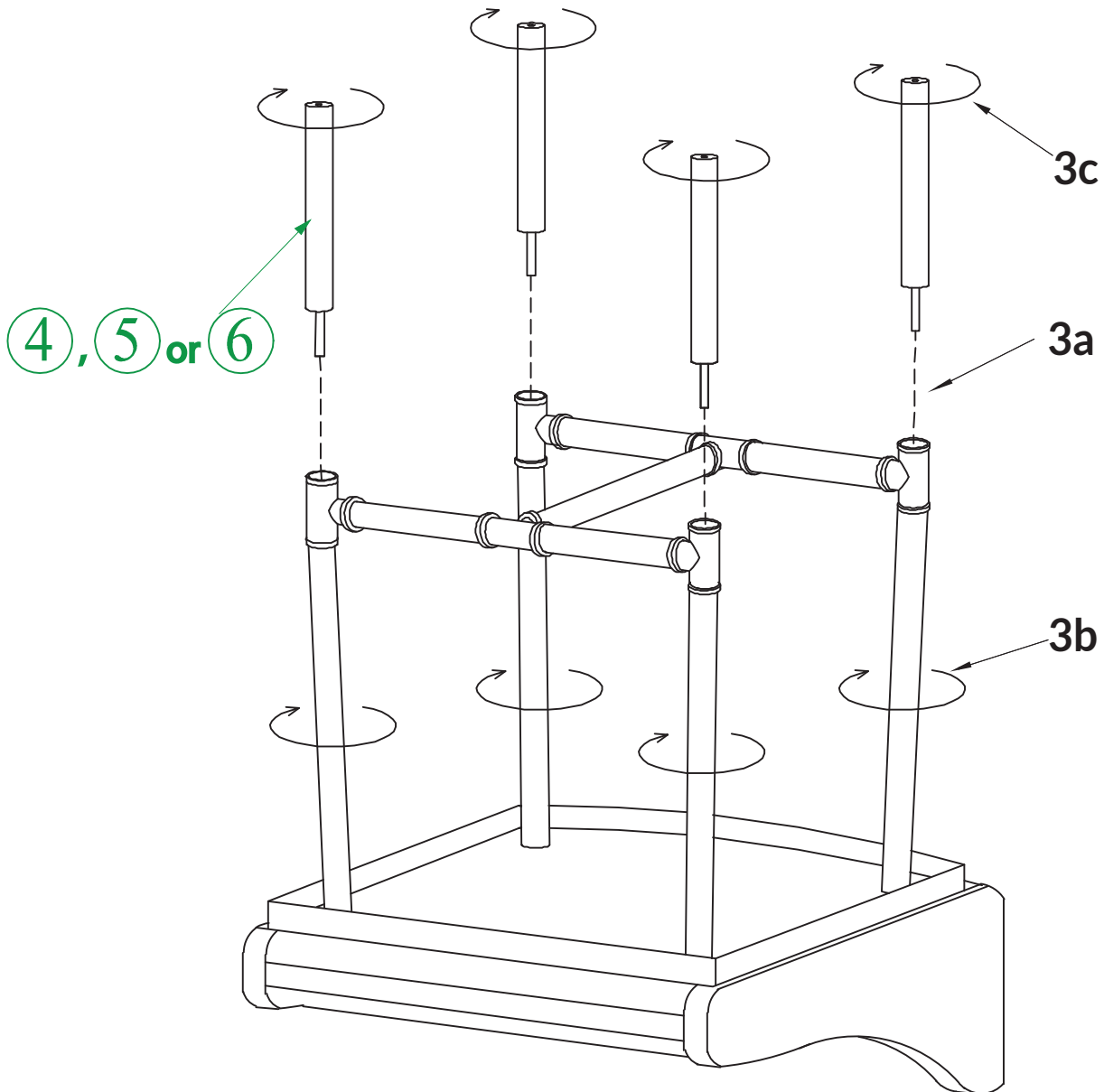
- Note letters on corners of leg brace assembly.
- Insert legs into leg brace assembly, taking care to match letters on legs to correspond letters on leg brace.
- Do not tighten legs completely.



Before proceeding with assembly, choose lower legs ④, ⑤ or ⑥ based on desired seat height.

Step 3a - Insert lower legs into leg brace assembly ②.

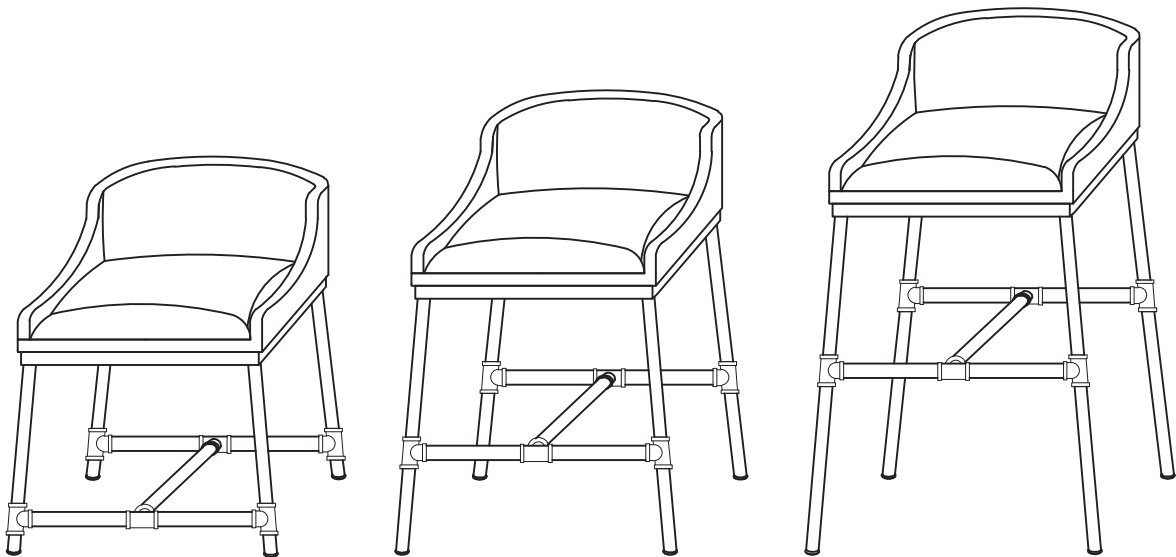
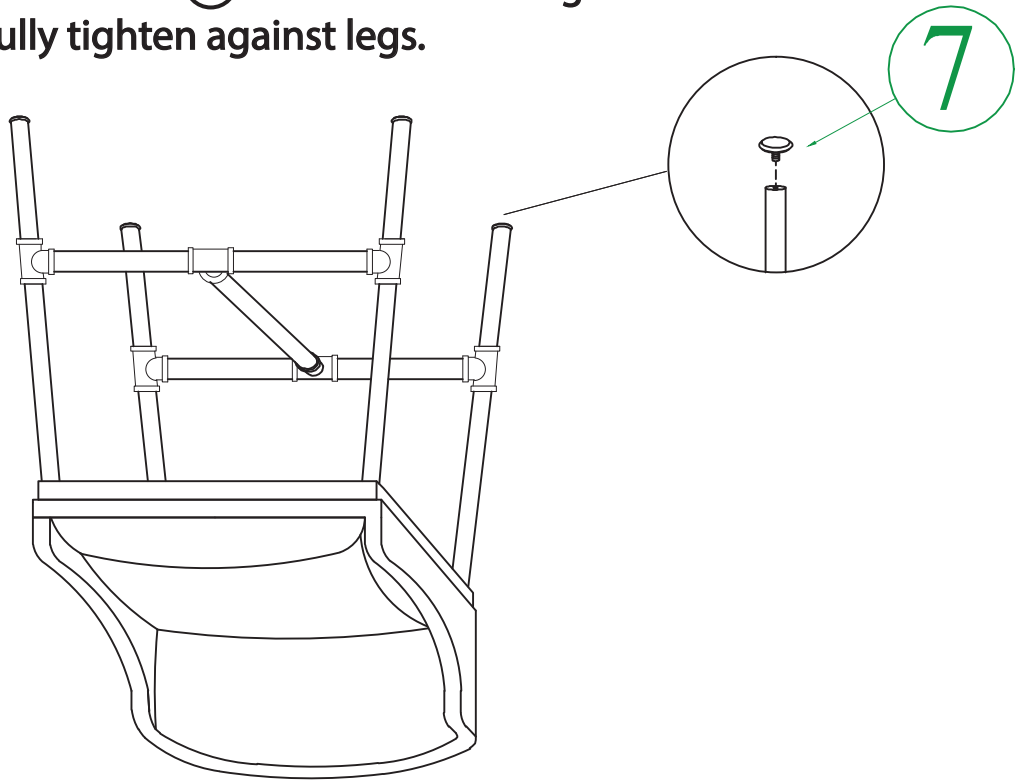
- Loosely screw lower legs into upper legs.
Do not tighten completely.



3b - Fully secure upper legs against seat base by alternately tightening each leg a few turns at a time. Repeat tightening until all upper legs are fully tightened.

3c - Fully tighten lower legs into leg brace and upper legs.

**Step 4 - Locate feet ⑦ and screw onto legs.
Fully tighten against legs.**



**CHECK AND TIGHTEN ALL PARTS PRIOR TO USE.
PERIODICALLY INSPECT AND RE-TIGHTEN ALL PARTS AS NECESSARY.**

847-949-6300 | 877-267-2261 | customerservice@boraamindustries.com