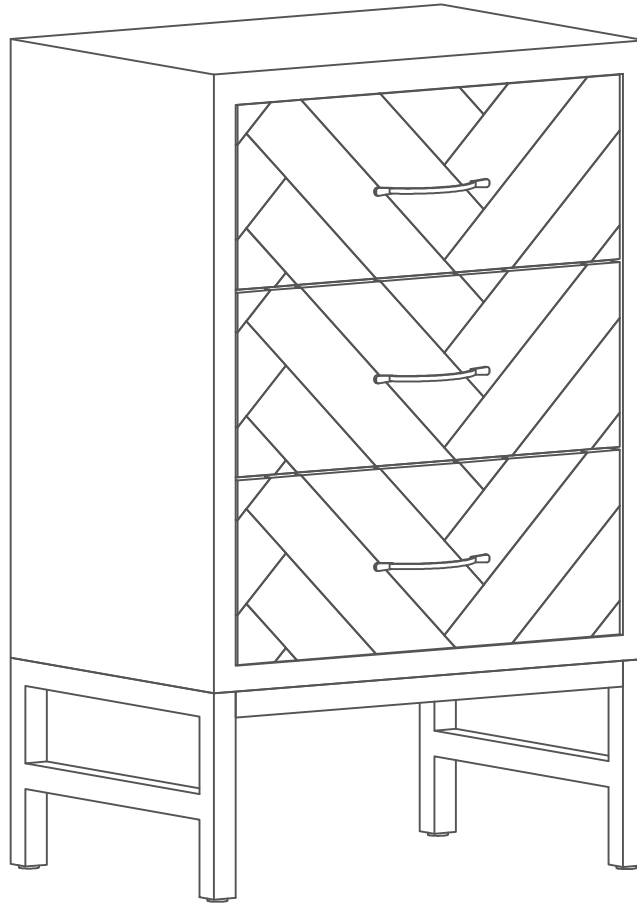




Boraam Industries

ASSEMBLY INSTRUCTIONS

SKU: 18145 | BENTON NIGHTSTAND



12/2023



Have questions about assembling your item?



Items or parts damaged?



Missing a part?

We're here to help! (Monday-Friday from 9am-5pm CST)



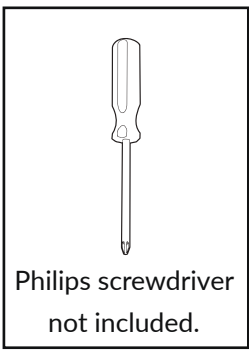
847-949-6300
877-267-2261



customerservice@
boraamindustries.com

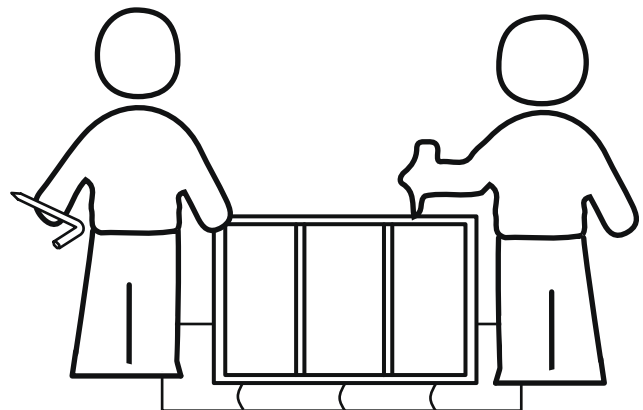
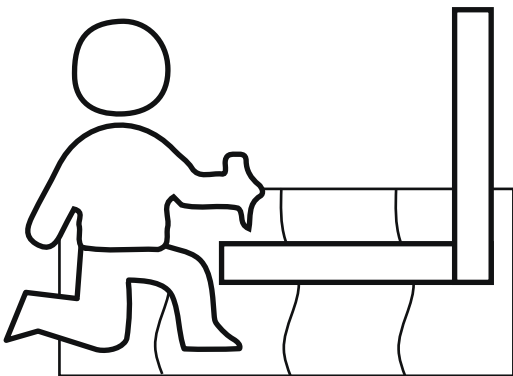
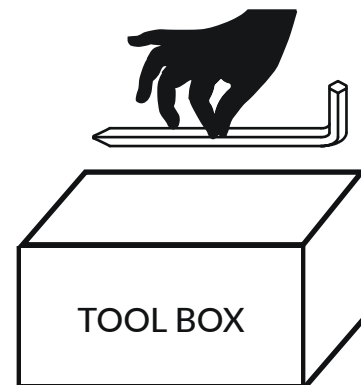


www.boraamindustries.com

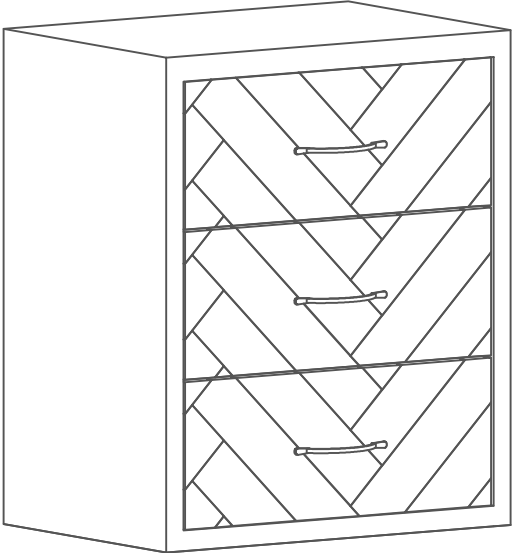
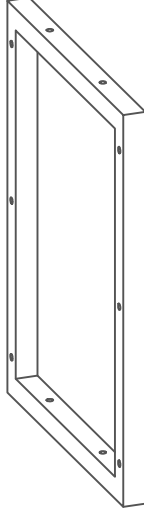
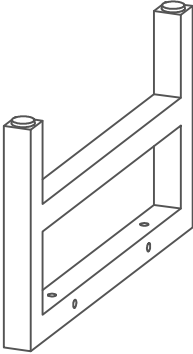


Assembly And Care

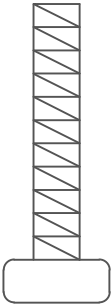
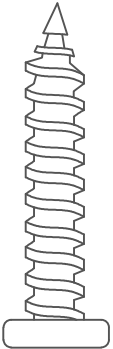


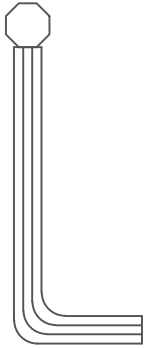
- All required tools for assembly are included unless noted.
- Locate and inspect all parts for missing items or damage prior to assembly.
- Do not dispose of packing materials until assembly is completed.
- Assemble item on a soft, clean surface to prevent damage to the item.
- Proper assembly requires 2 people.



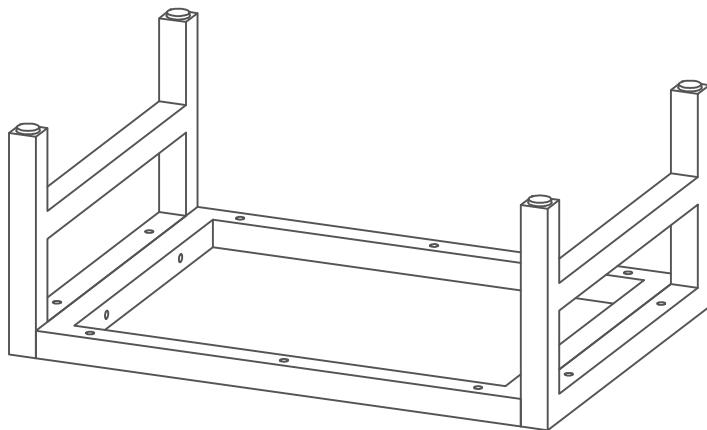
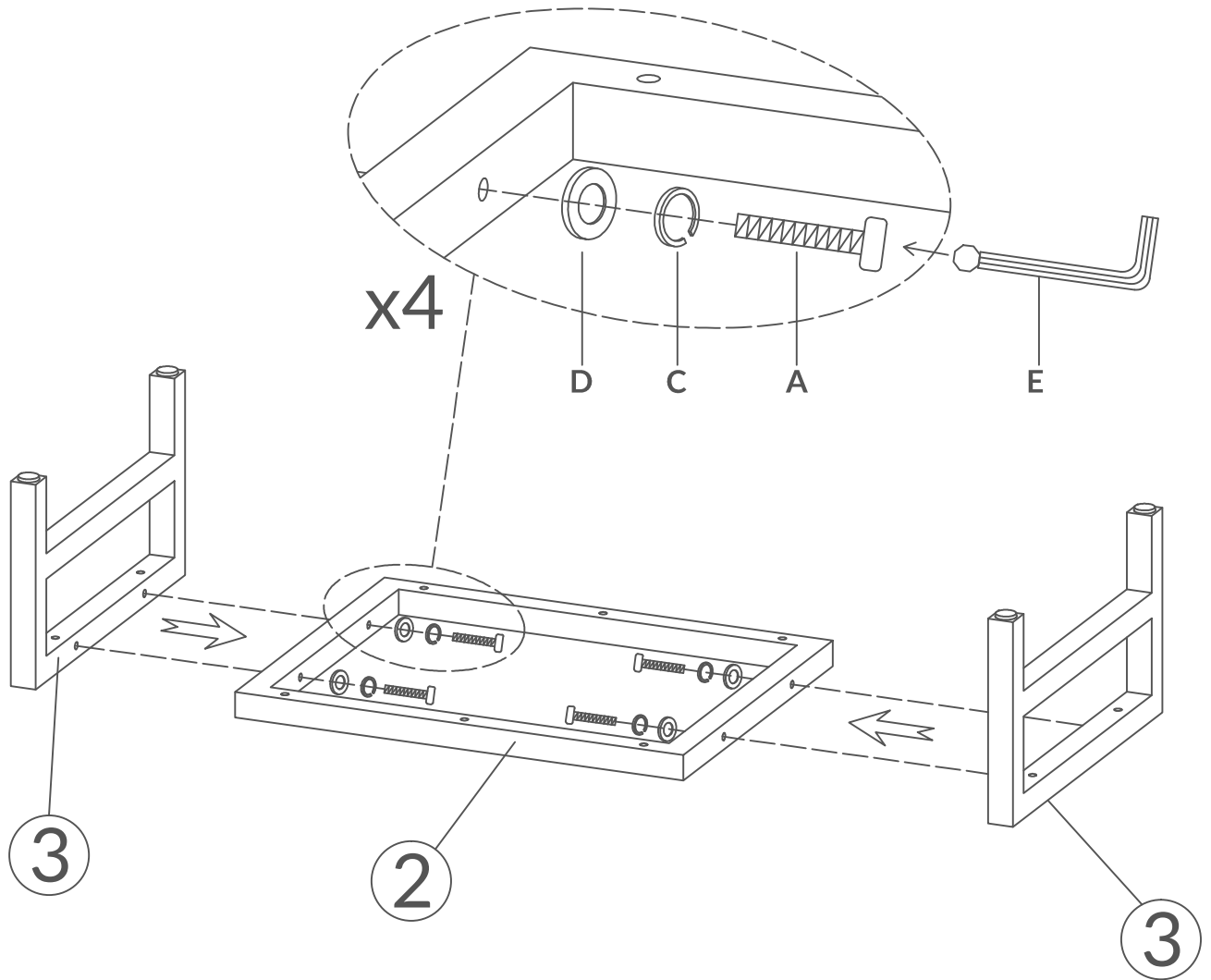
PARTS

① (x1)	② (x1)	③ (x2)
<p>Cabinet Top:</p> 	<p>Cross Bar :</p> 	<p>Leg:</p> 

HARDWARE

A (x4)	B (x10)	C (x4)	D (x4)	E (x1)
				
<p>Bolt M6*40</p>	<p>Screw T5*45</p>	<p>Spring gasket M6</p>	<p>Flat gasket M6</p>	<p>Allen key M6</p>

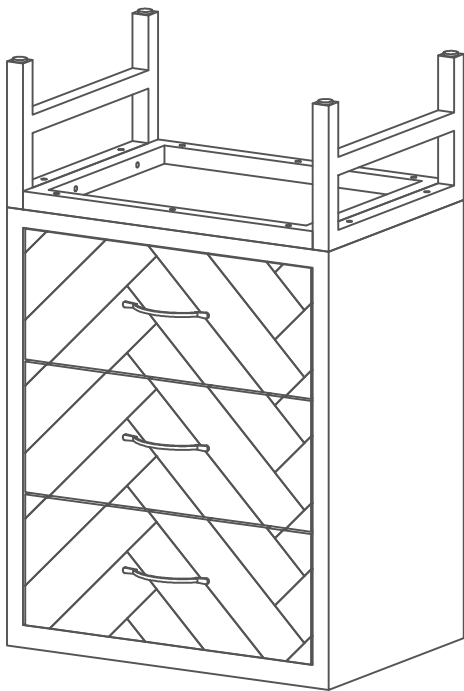
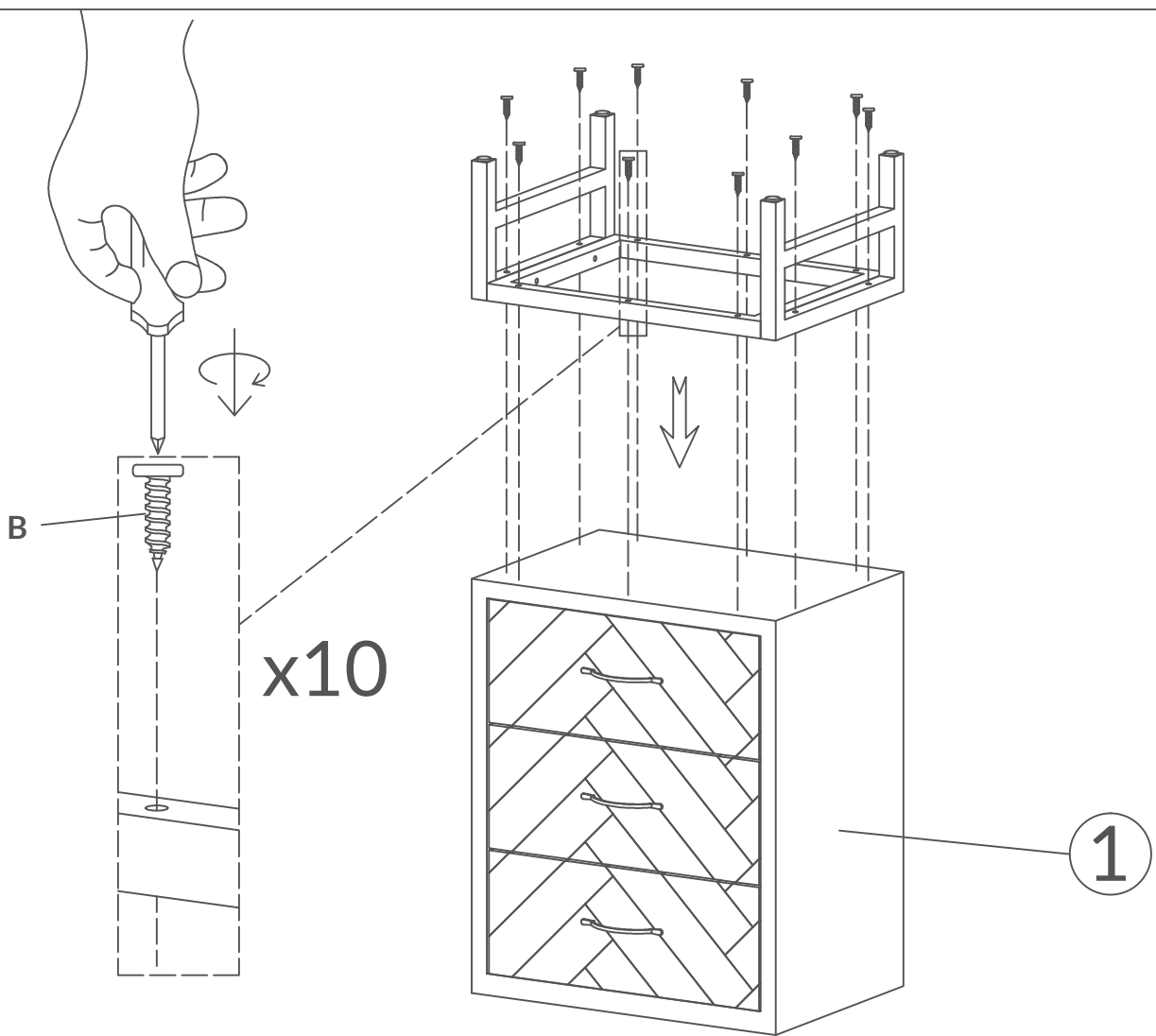
01



Hardware	Count
A	4
C	4
D	4
E	1

DO NOT TIGHTEN BOLT COMPLETELY.

02

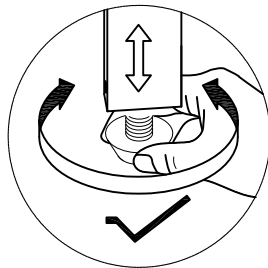
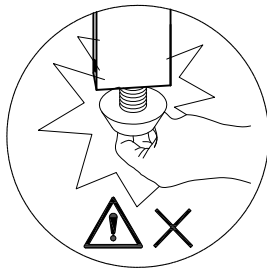
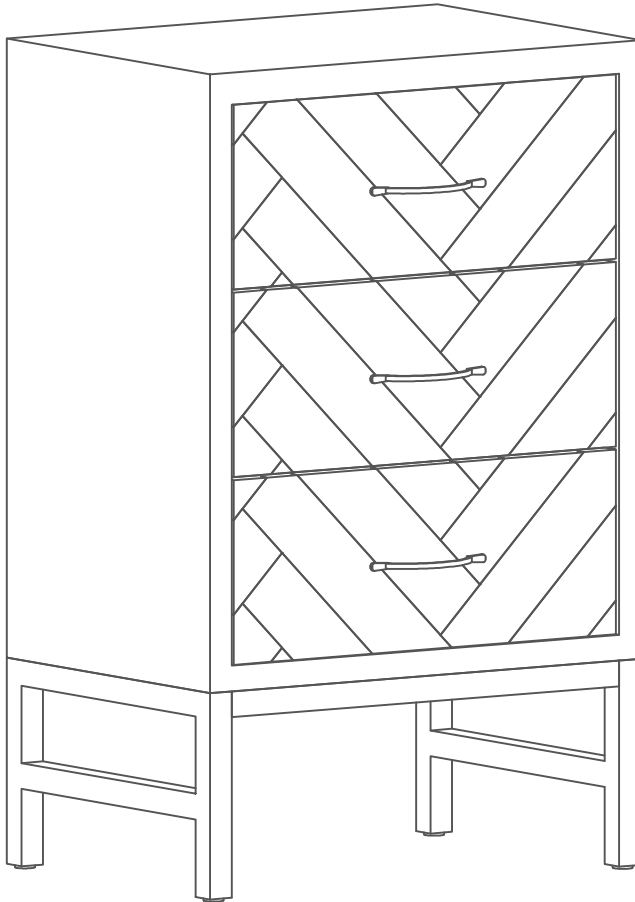


Hardware	Count
B	10

DO NOT TIGHTEN BOLT COMPLETELY.

03

TIGHTEN BOLTS COMPLETELY.



If the nightstand appears uneven, twist the rounded pads in the bottom of the legs to adjust.

BE SURE TO CHECK ALL BOLTS ARE SECURELY TIGHTENED PRIOR TO USE.