

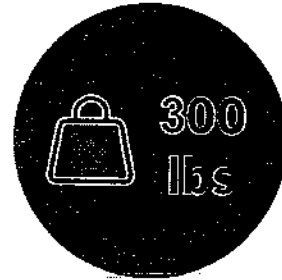
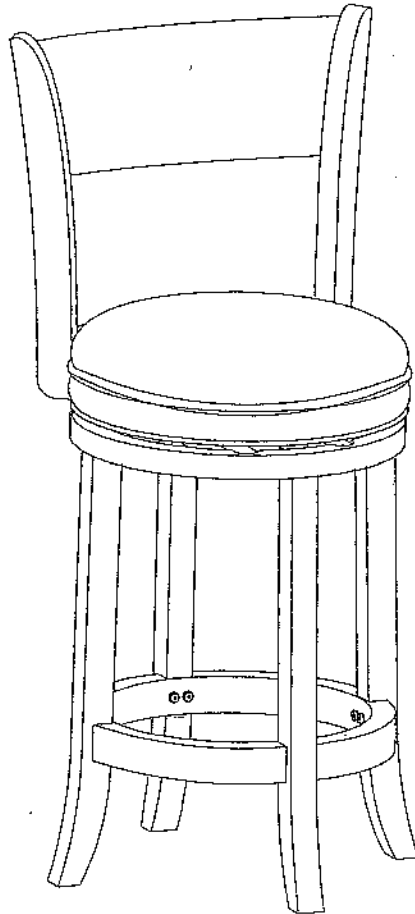


Boraam Industries

ASSEMBLY INSTRUCTIONS

SKU: 46134

PALMETTO SWIVEL EXTRA TALL BARSTOOL



Weight Capacity



Locate the **HARDWARE PACK** which is attached to the shipping carton with red tape.

03/2024



Have questions about assembling your item?



Items or parts damaged?



Missing a part?

We're here to help! (Monday-Friday from 9am-5pm CST)



847-949-6300
877-267-2261



customerservice@
boraamindustries.com



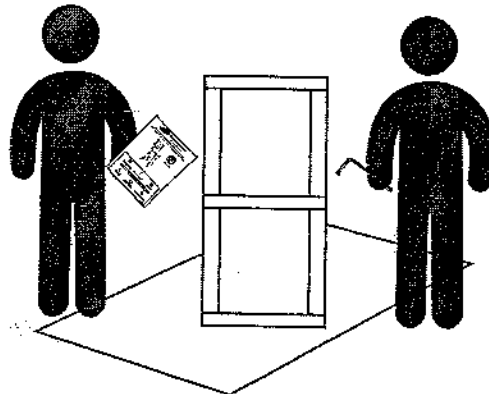
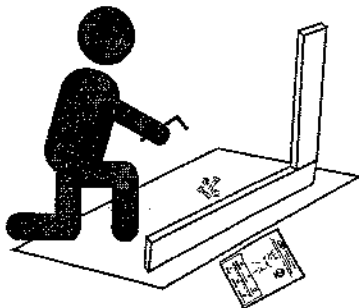
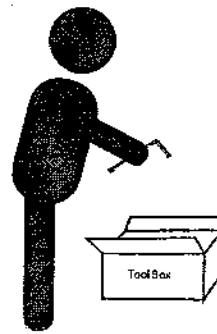
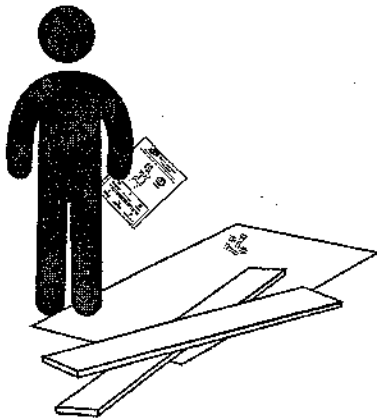
www.boraamindustries.com

Assembly And Care

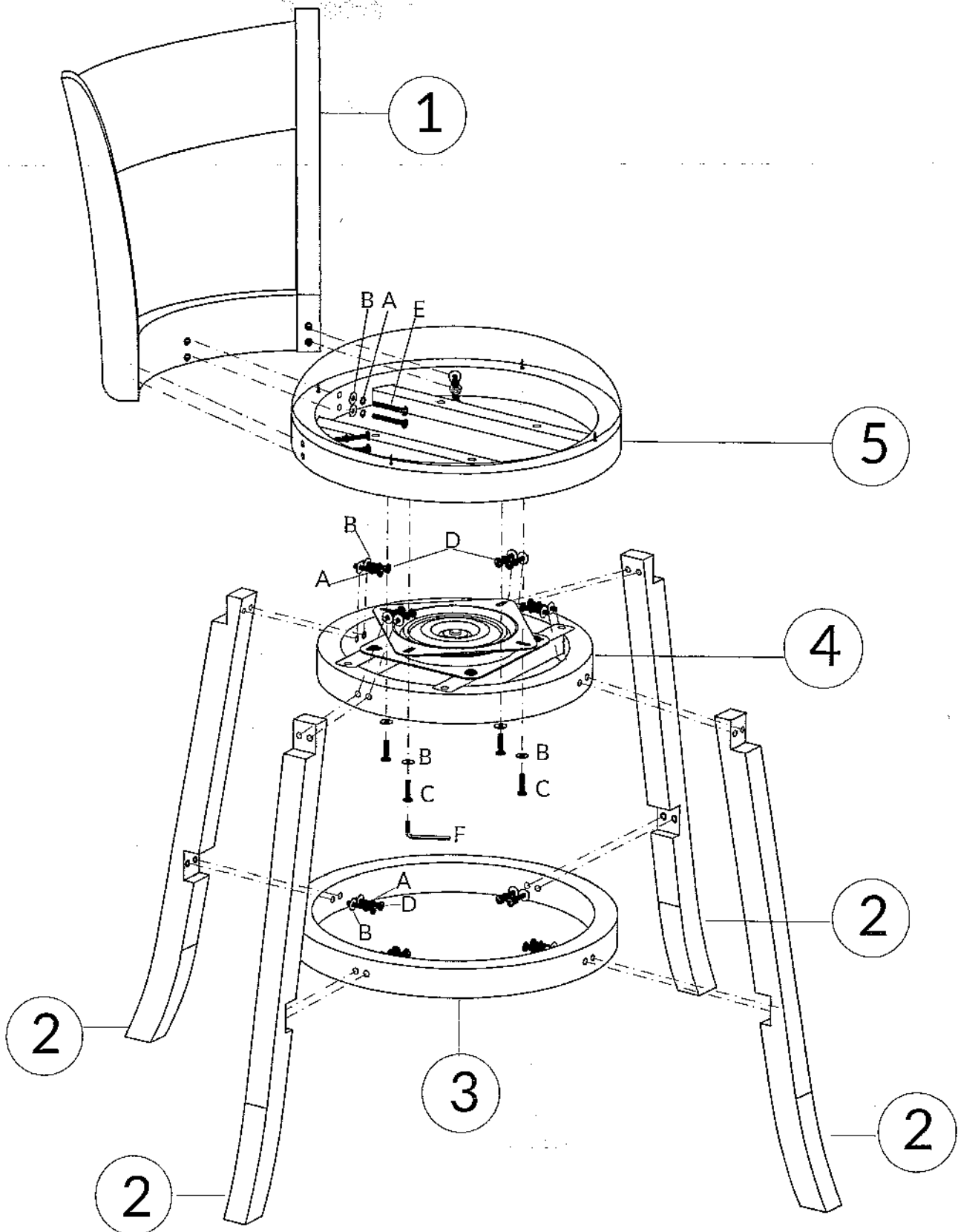
- All tools required for assembly are included unless noted.
- Prior to assembly, check for missing or damaged parts.
- Do not dispose of packing materials until assembly is completed.
- Assemble item on a soft, clean surface to prevent damage to the item.



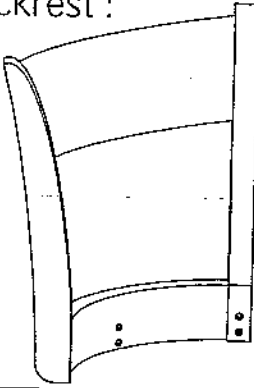

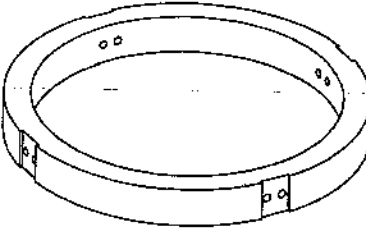
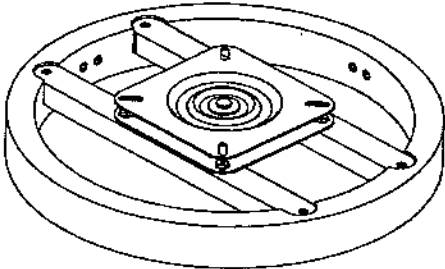
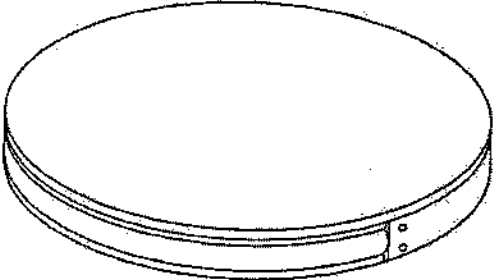
Locate the **HARDWARE PACK** which is attached to the shipping carton with red tape.





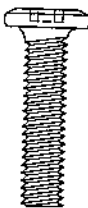
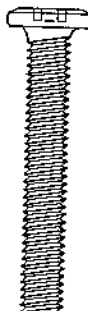
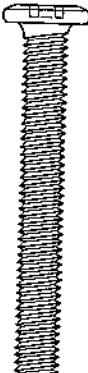
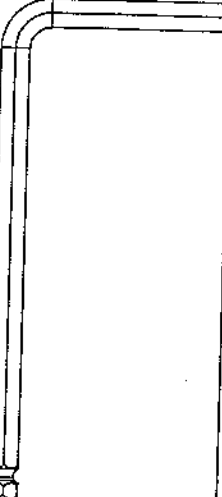
Assembly Overview



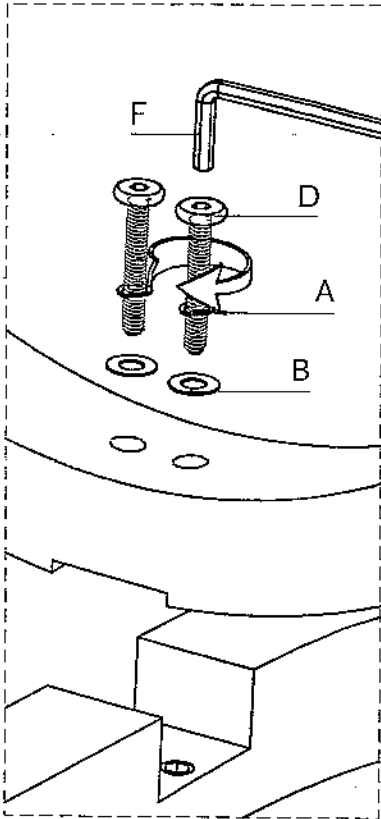
PARTS

<p>①(x1)</p>	<p>②(x4)</p>	<p>③(x1)</p>
<p>Backrest :</p> 	<p>Legs :</p> 	<p>Footrest :</p> 
<p>④(x1)</p>		<p>⑤(x1)</p>
<p>Apron With Swivel Plate :</p> 		<p>Seat Cushion :</p> 

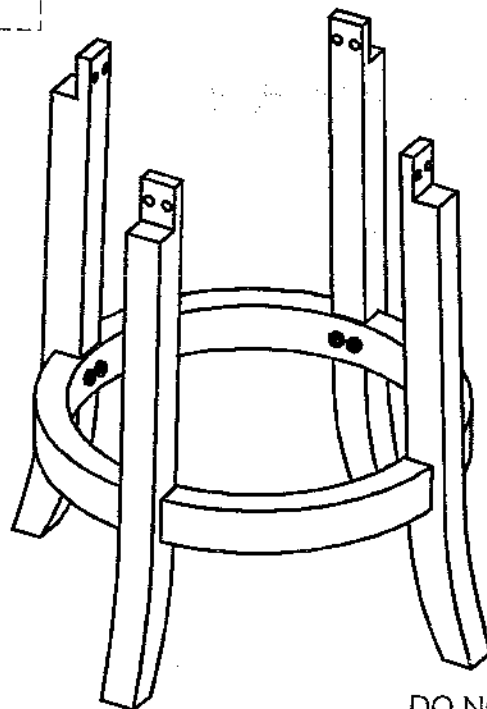
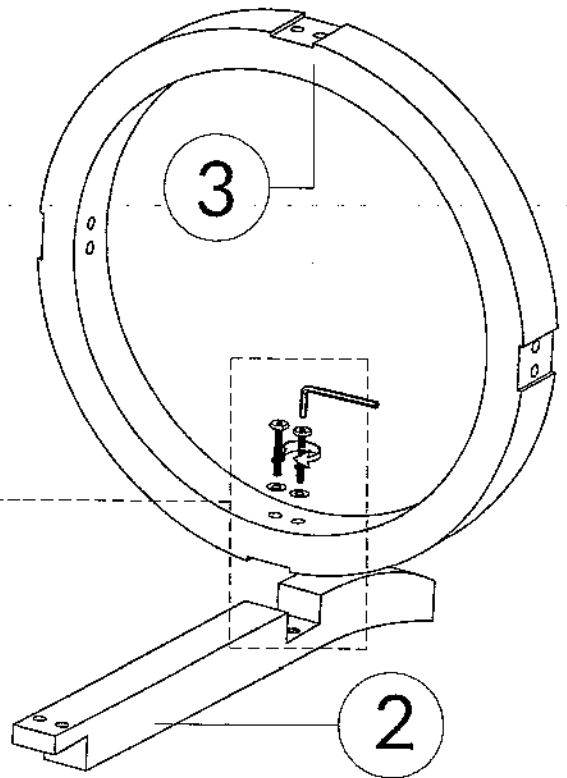
HARDWARE

<p>Ⓐ(x22)</p>	<p>Ⓑ(x26)</p>	<p>Ⓒ(x4)</p>	<p>Ⓓ(x16)</p>	<p>Ⓔ(x6)</p>	<p>Ⓕ(x1)</p>
					
<p>Spring Washer M6*13</p>	<p>Flat Washer M6*16</p>	<p>Bolt M6*25</p>	<p>Bolt M6*40</p>	<p>Bolt M6*50</p>	<p>Allen Wrench M4*110</p>

01



4X

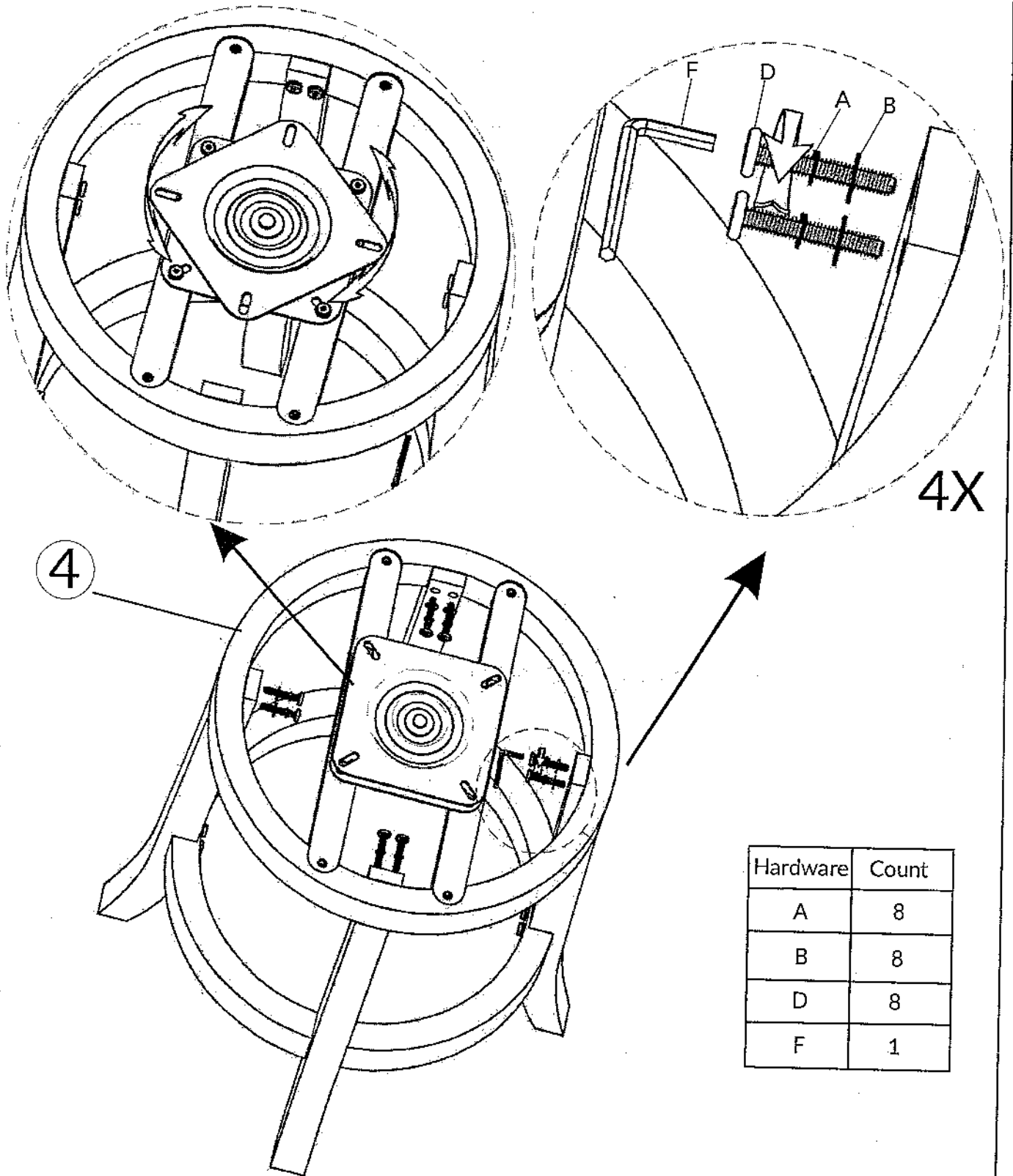


Hardware	Count
A	8
B	8
D	8
F	1

DO NOT TIGHTEN BOLT COMPLETELY.

Please make sure that the protective metal kick plate from Footrest (Part #3) is facing upwards. Remove the white Tape from the protective metal kick plate before using.

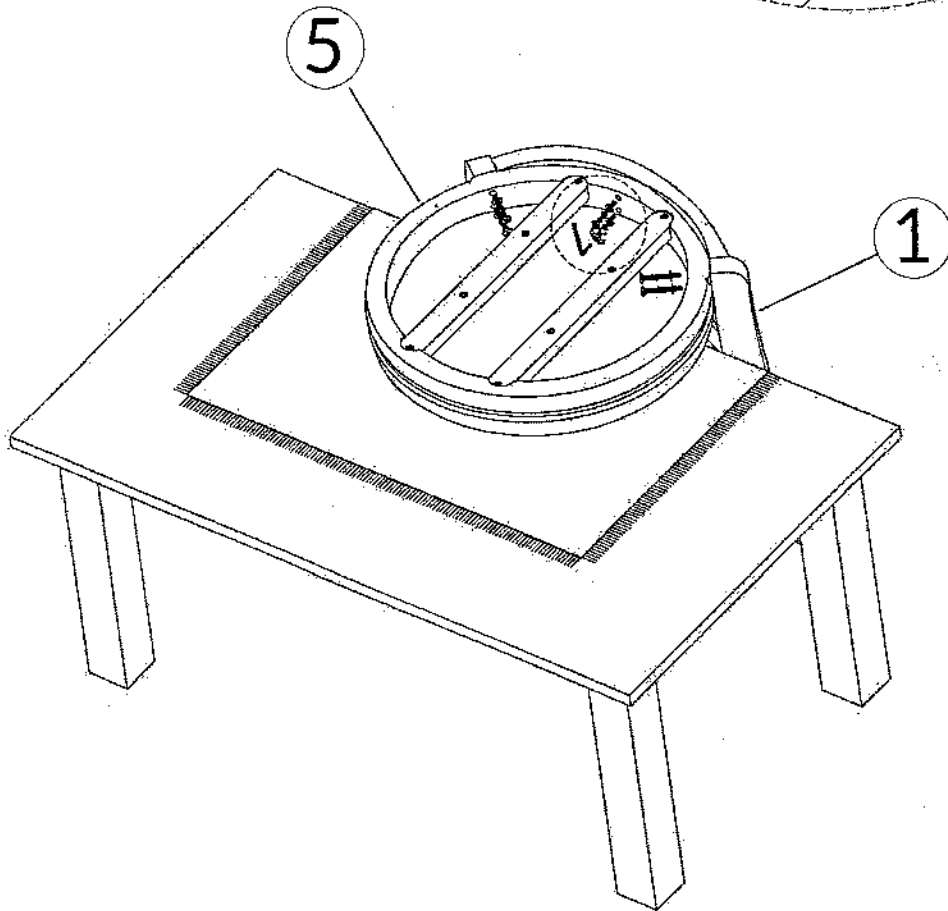
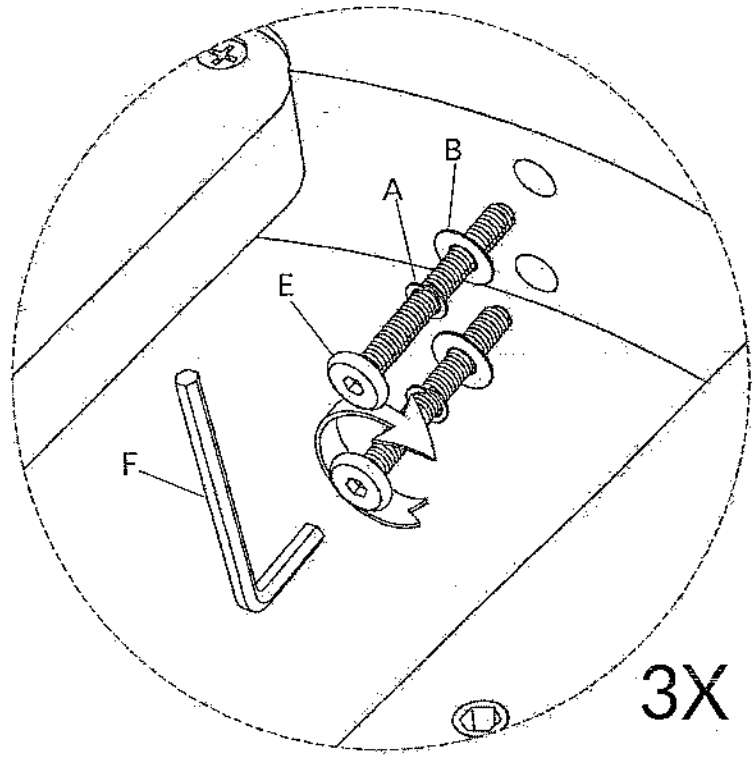
02



Hardware	Count
A	8
B	8
D	8
F	1

DO NOT TIGHTEN BOLT COMPLETELY.

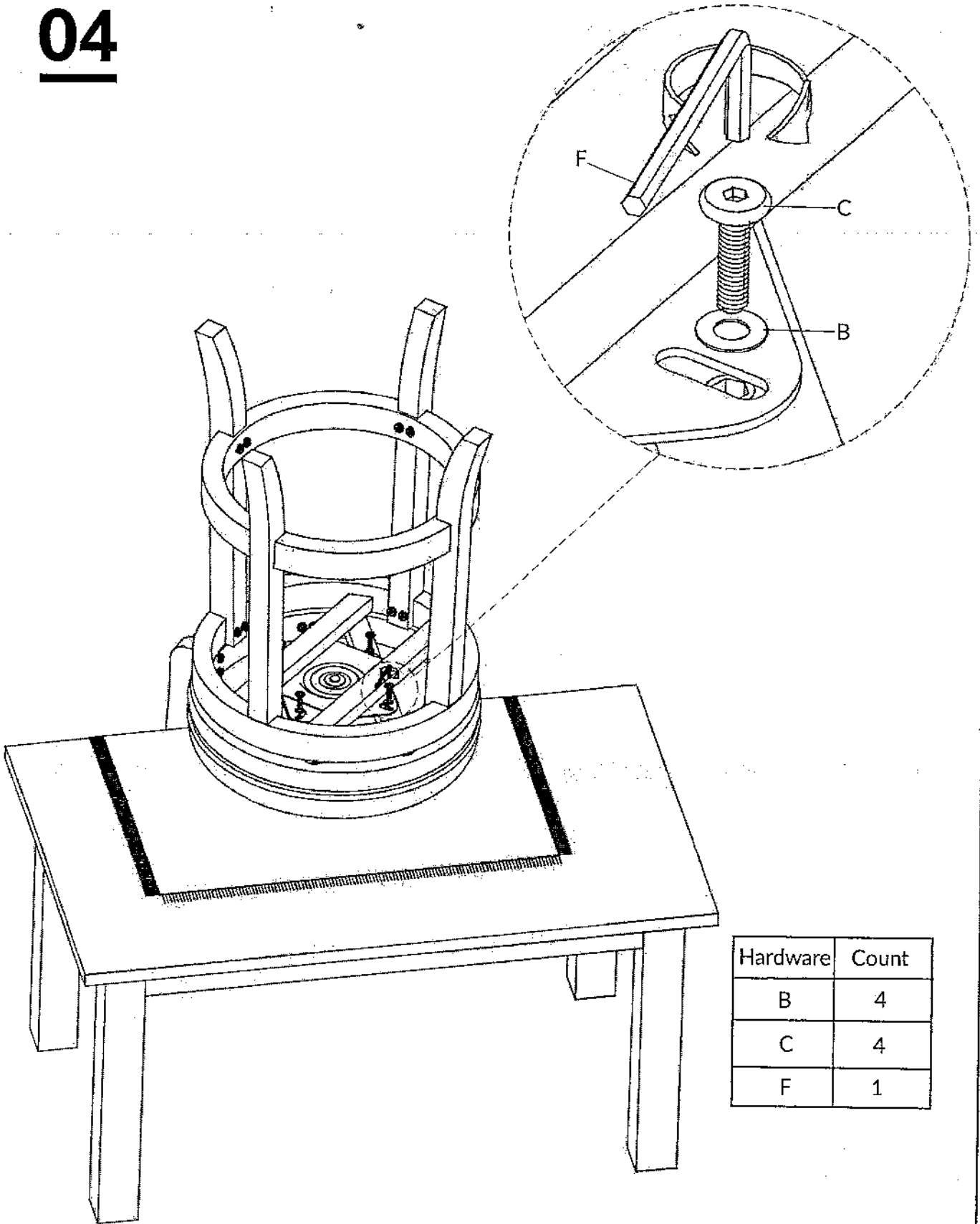
03



Hardware	Count
A	6
B	6
E	6
F	1

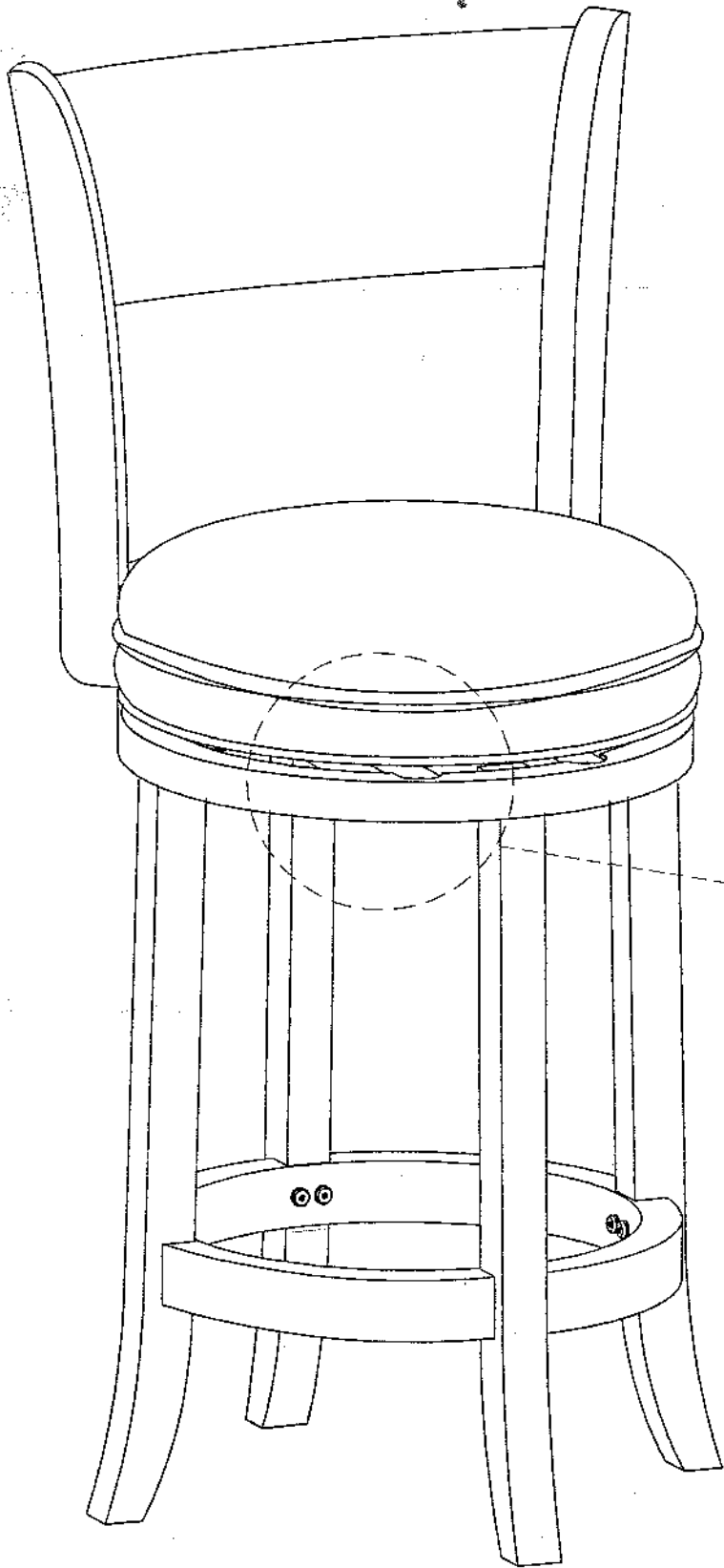
TIGHTEN BOLT COMPLETELY.

04

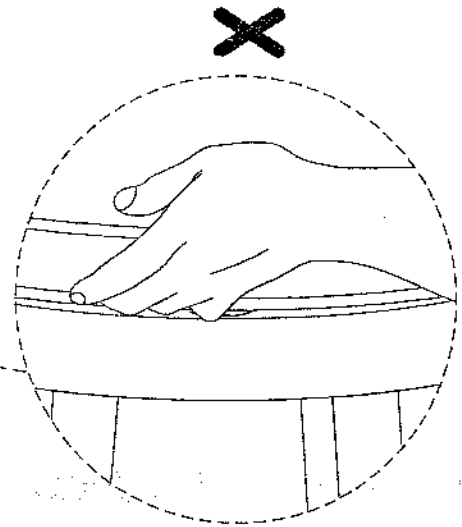


Hardware	Count
B	4
C	4
F	1

TIGHTEN BOLT COMPLETELY.



Weight Capacity



BE SURE TO CHECK ALL BOLTS ARE SECURELY TIGHTENED PRIOR TO USE.