

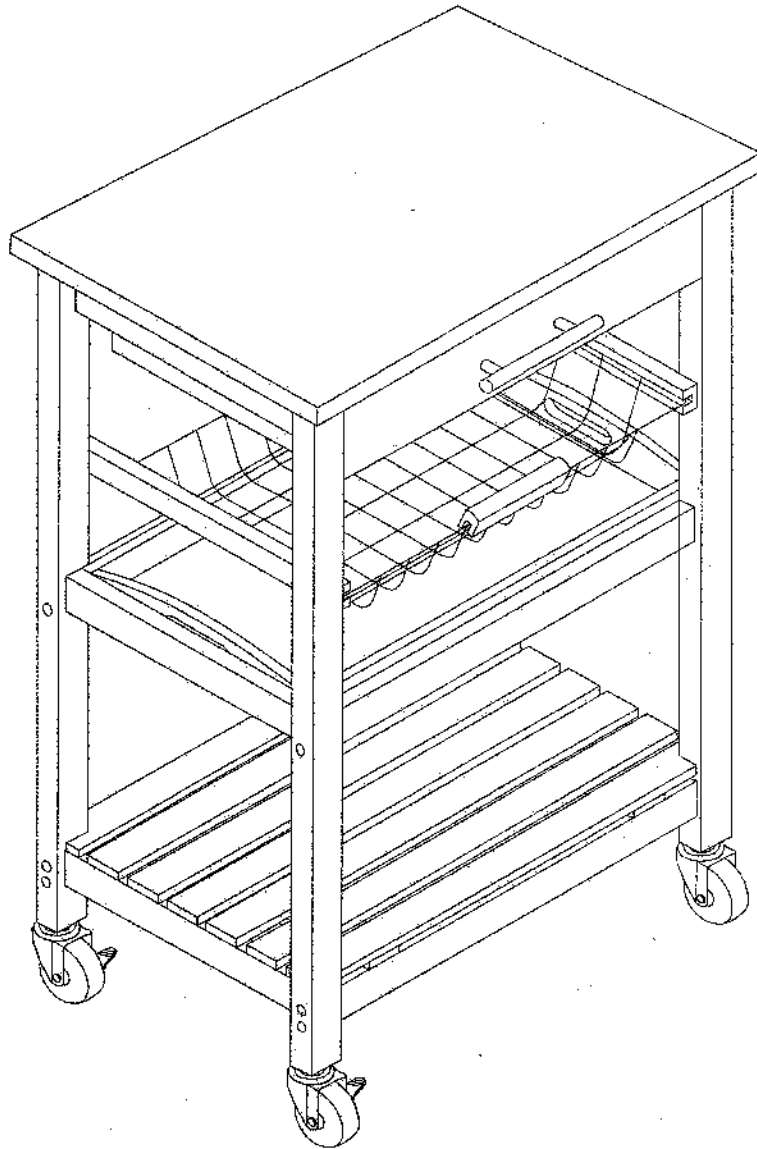


# *Boraam Industries*

## **Aya Bamboo Kitchen Cart**

ASSEMBLY INSTRUCTIONS

SKU: 50651 - 50670





PLEASE READ ME FIRST



- Have questions about assembling your item?



- Item or parts damaged?



- Missing a part?



- We're here to help!



(847)949-6300 (M-F, 9am-5pm CST)





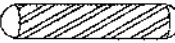
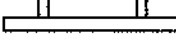

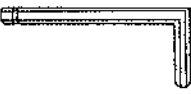
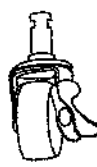



[www.boraamindustries.com](http://www.boraamindustries.com)

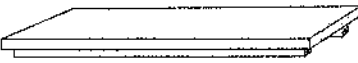




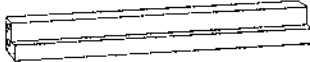
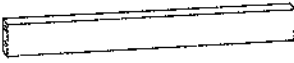

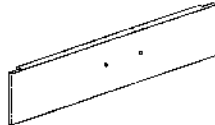


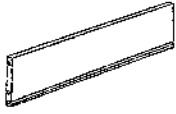



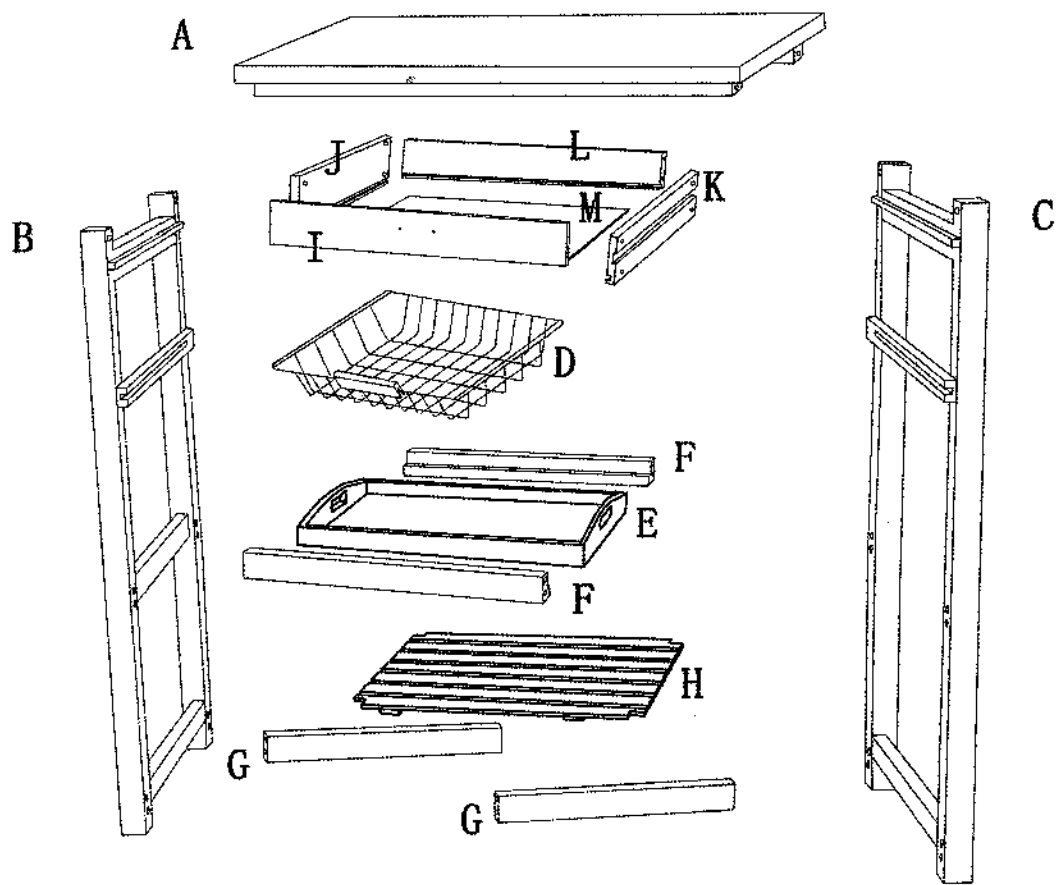
[customerservice@boraamindustries.com](mailto:customerservice@boraamindustries.com)

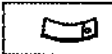

Phillips  
Screwdriver  
(Not provided)



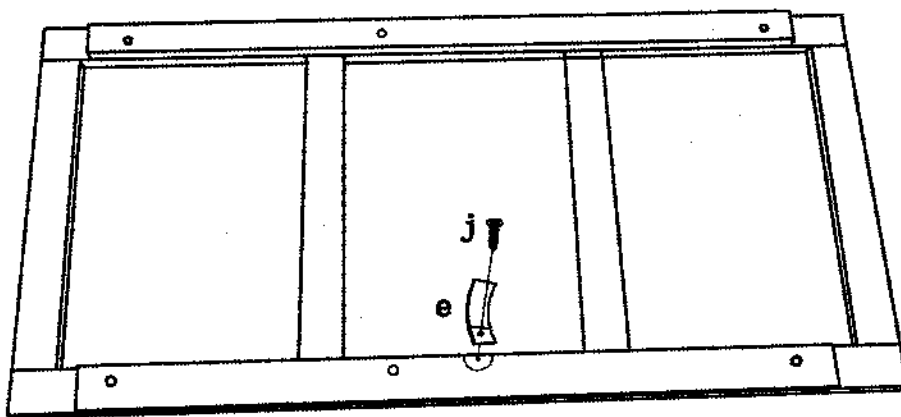
<p><b>a</b></p>  <p><b>5×45mm</b> <b>×16PCS</b></p>	<p><b>b</b></p>  <p><b>3×25mm</b> <b>×8PCS</b></p>	<p><b>c</b></p>  <p><b>×4PCS</b></p>	<p><b>d</b></p>  <p><b>×1PC</b></p>	<p><b>e</b></p>  <p><b>×1PC</b></p>
<p><b>f</b></p>  <p><b>×1PC</b></p>	<p><b>g</b></p>  <p><b>×2PCS</b></p>	<p><b>h</b></p>  <p><b>×2PCS</b></p>	<p><b>i</b></p>  <p><b>4×16mm</b> <b>×2PCS</b></p>	<p><b>j</b></p>  <p><b>3×12mm</b> <b>×1PCS</b></p>

<p><b>A</b></p>  <p><b>×1PC</b></p>	<p><b>B</b></p>  <p><b>×1PC</b></p>	<p><b>C</b></p>  <p><b>×1PC</b></p>	
<p><b>D</b></p>  <p><b>×1PC</b></p>	<p><b>E</b></p>  <p><b>×1PC</b></p>	<p><b>F</b></p>  <p><b>×2PCS</b></p>	
<p><b>G</b></p>  <p><b>×2PCS</b></p>	<p><b>H</b></p>  <p><b>×1PC</b></p>	<p><b>I</b></p>  <p><b>×1PC</b></p>	
<p><b>J</b></p>  <p><b>×1PC</b></p>	<p><b>K</b></p>  <p><b>×1PC</b></p>	<p><b>L</b></p>  <p><b>×1PC</b></p>	<p><b>M</b></p>  <p><b>×1PC</b></p>

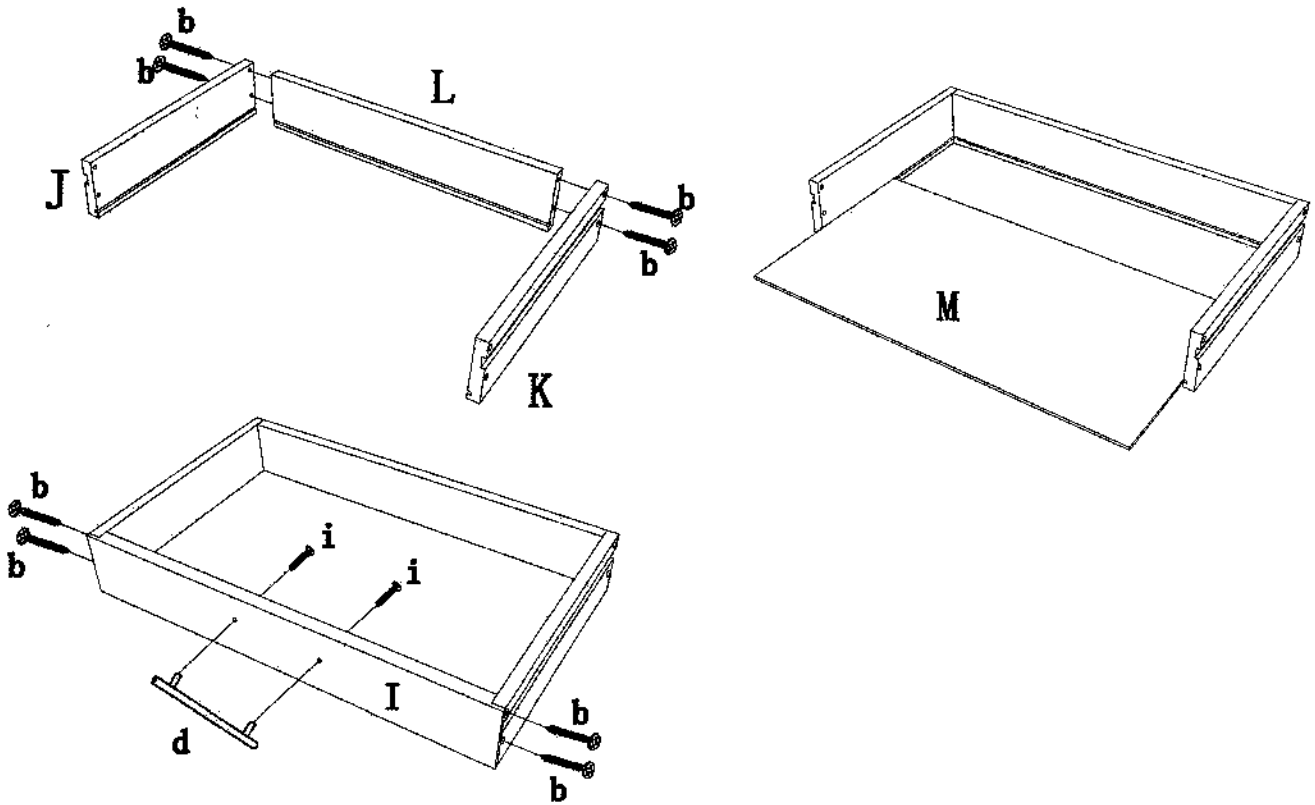


1  e×1  j×1

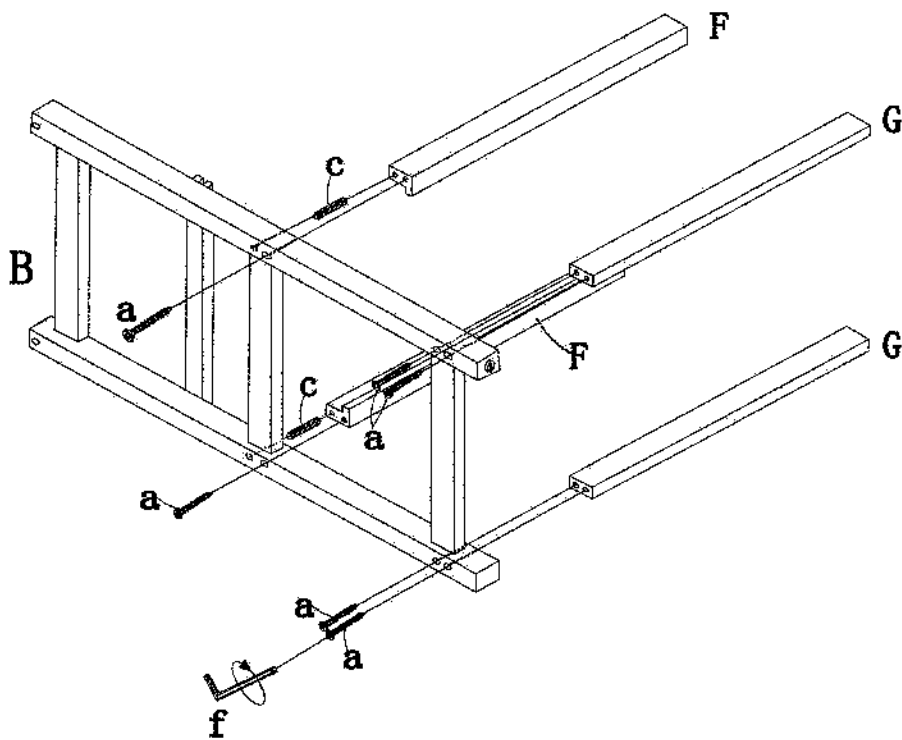
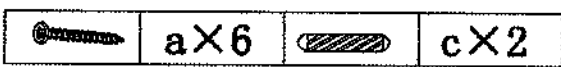
A



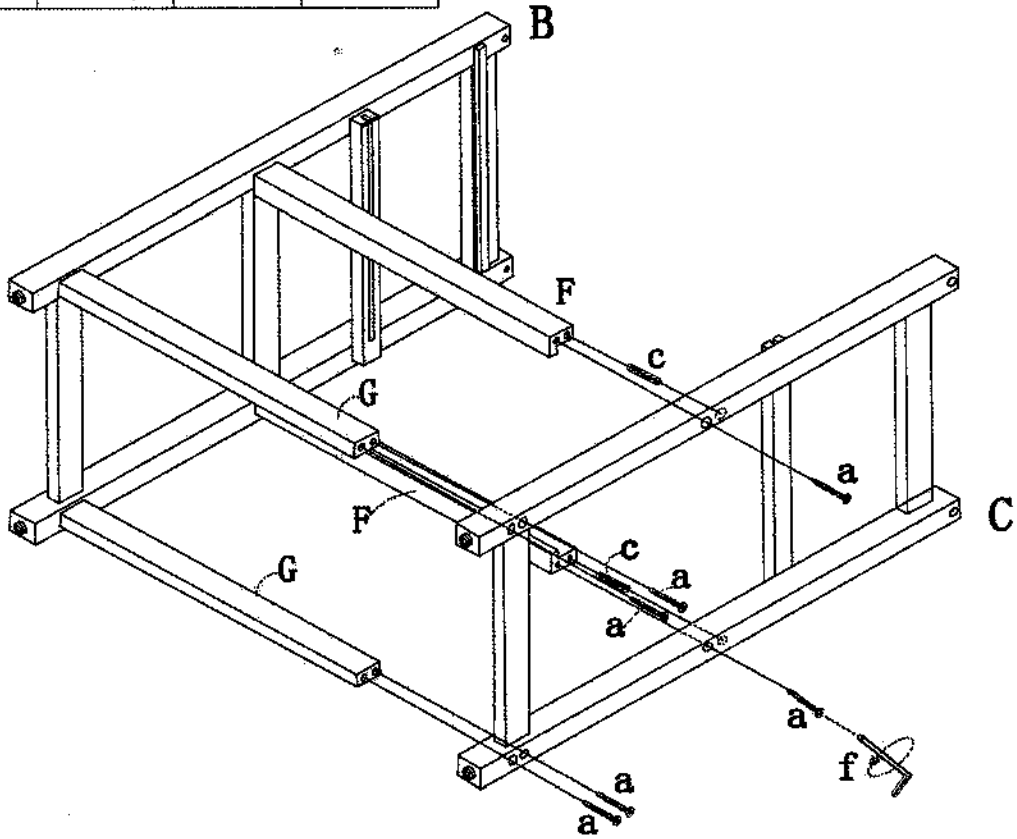
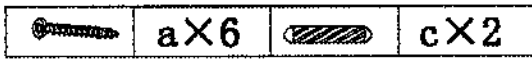
2



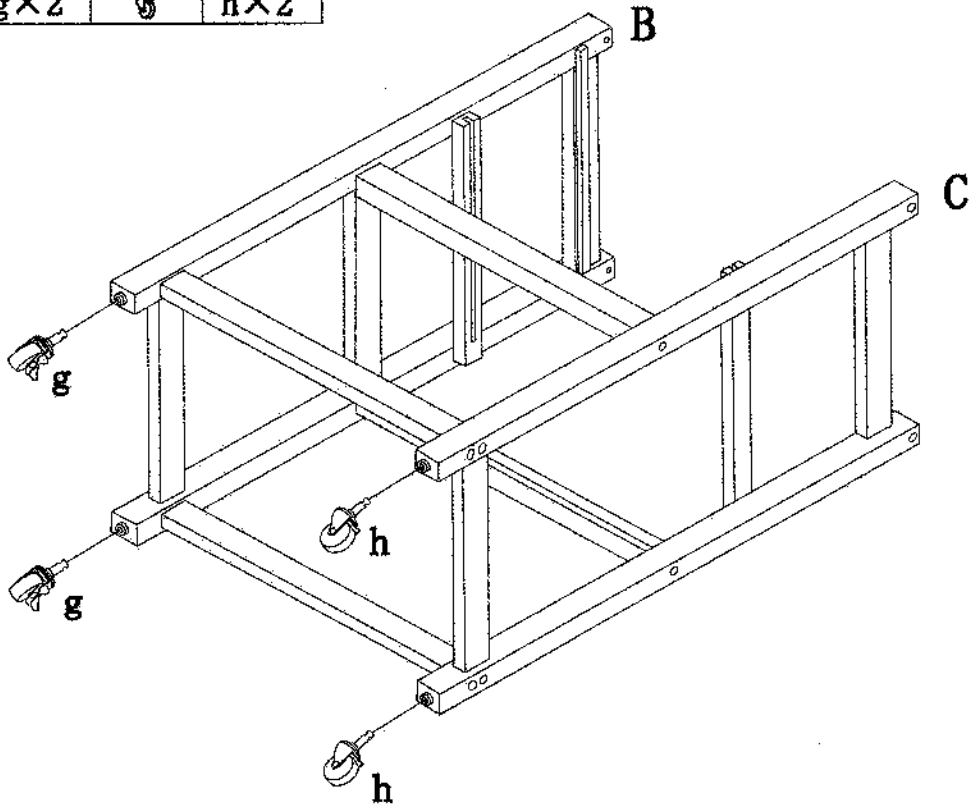
3



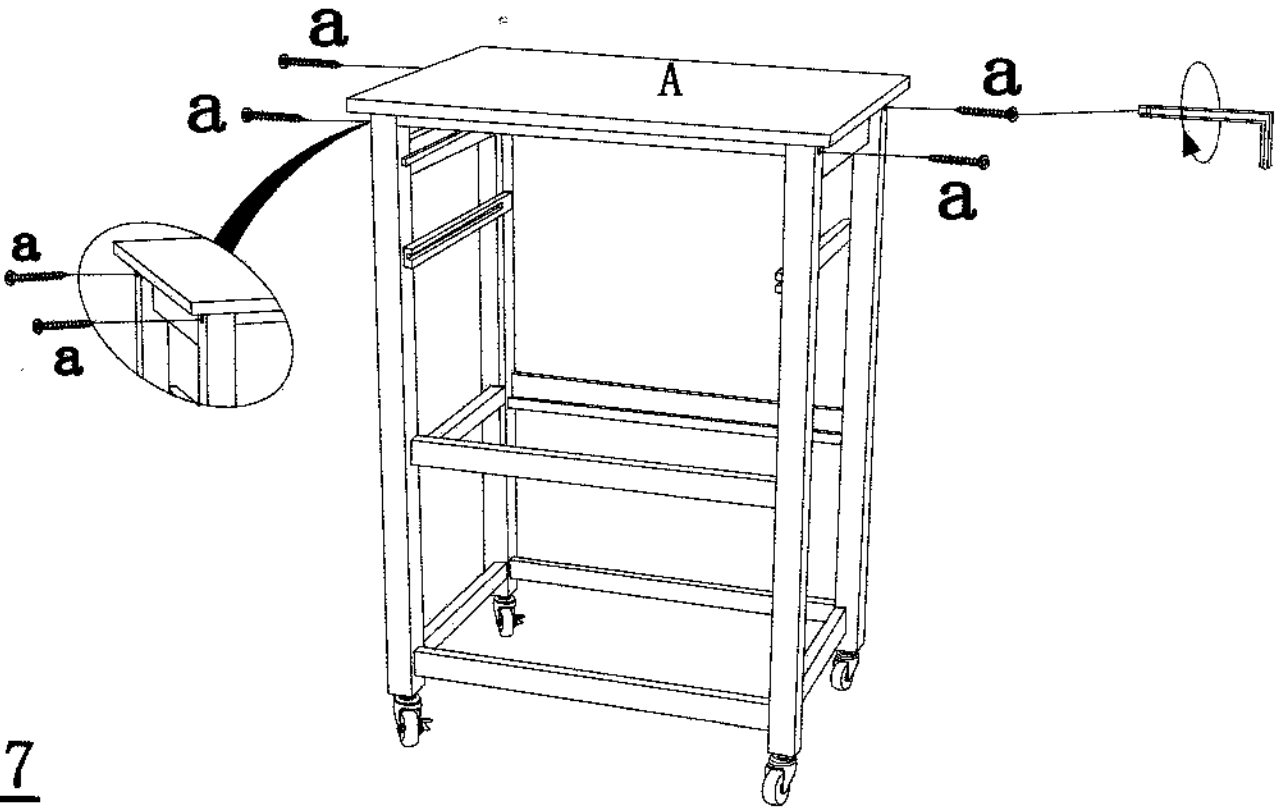
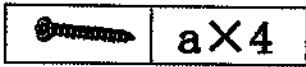
4



5



6



7

Please peel off the protective film from the stainless steel top after the unit is fully assembled.

