

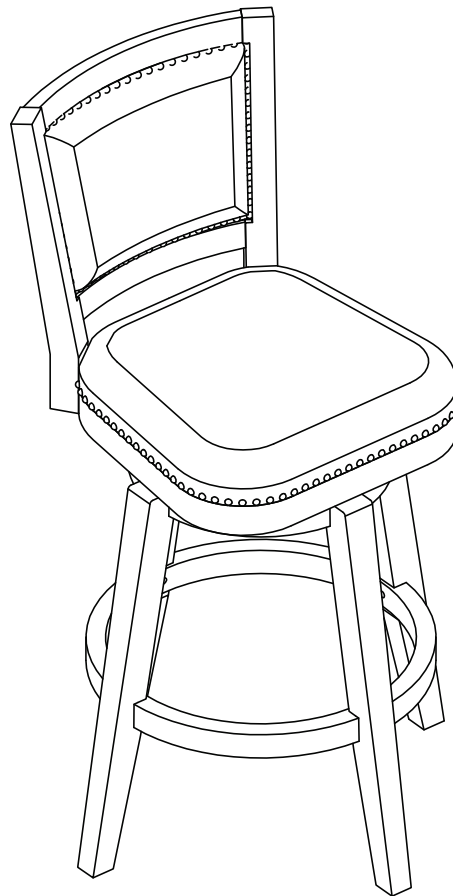


# Boraam Industries

ASSEMBLY INSTRUCTIONS

SKU: 51824,51924,51929,51829,52924,52929

## BROADMOOR SWIVEL STOOL



Weight Capacity



Locate the **HARDWARE PACK** which is attached to the shipping carton with red tape.

Version 2 / Updated as of 1.2.24



Have questions about assembling your item?



Items or parts damaged?



Missing a part?

**We're here to help! (Monday-Friday from 9am-5pm CST)**



847-949-6300  
877-267-2261



customerservice@  
boraamindustries.com



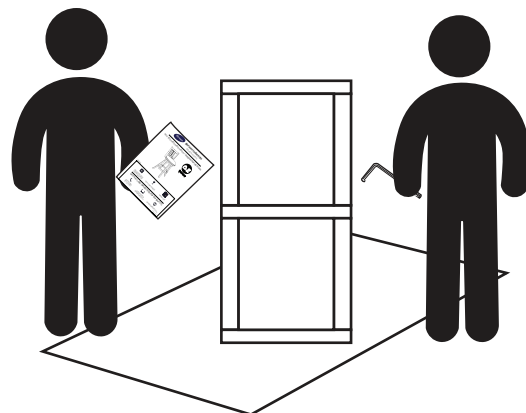
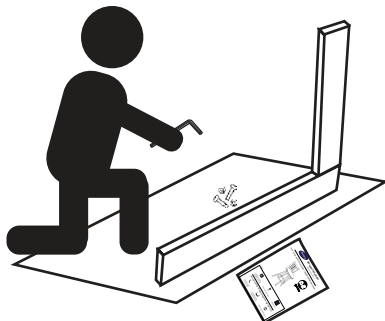
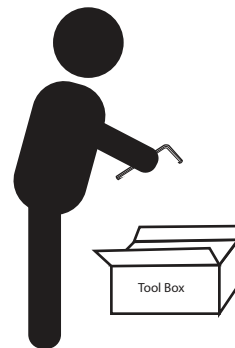
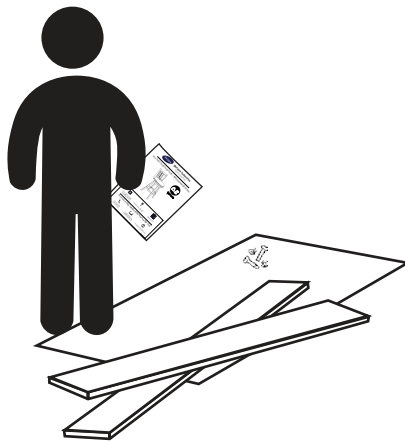
www.boraamindustries.com

# Assembly And Care

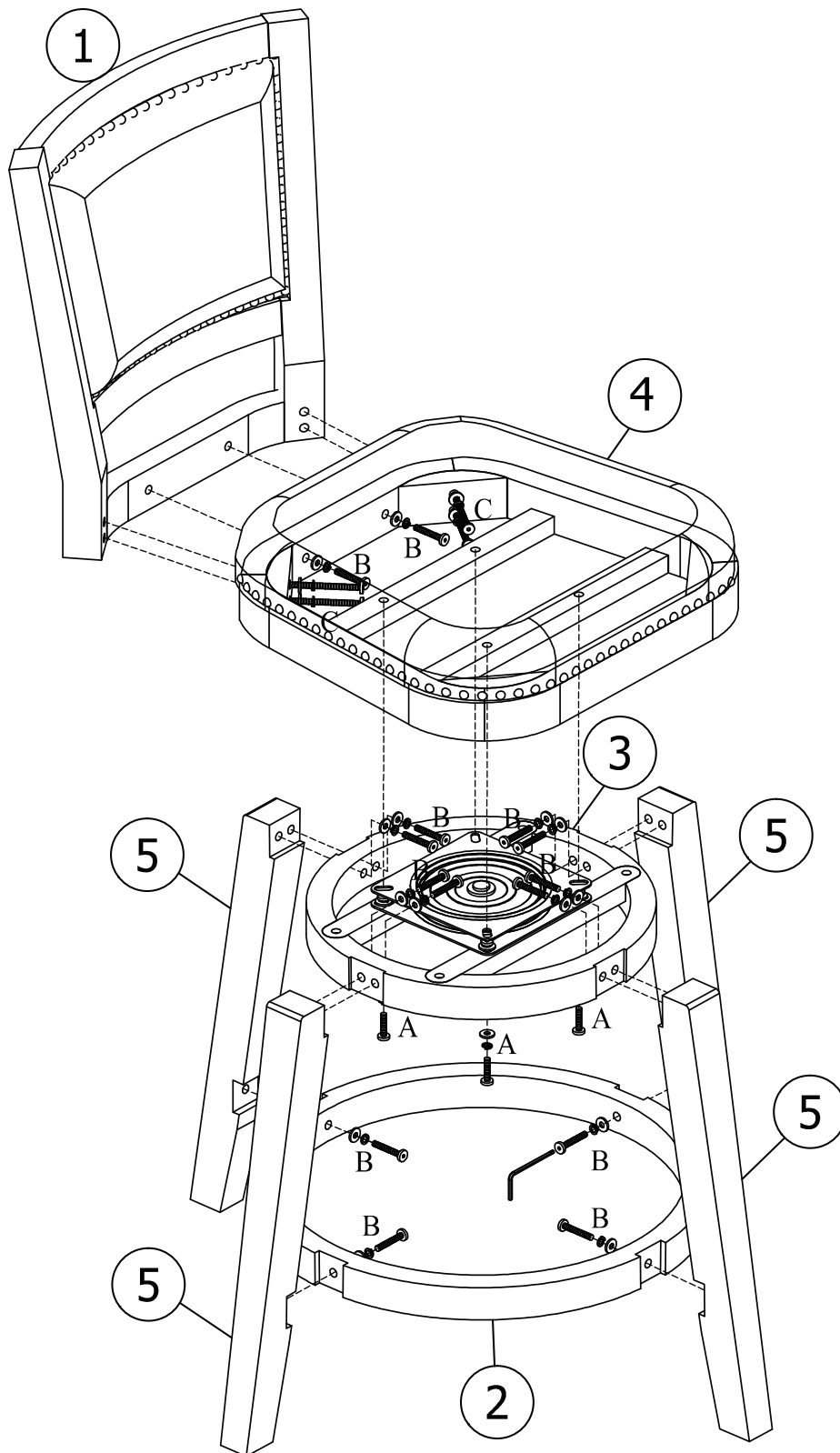
- All tools required for assembly are included unless noted.
- Prior to assembly, check for missing or damaged parts.
- Do not dispose of packing materials until assembly is completed.
- Assemble item on a soft, clean surface to prevent damage to the item.



Locate the **HARDWARE PACK** which is attached to the shipping carton with red tape.



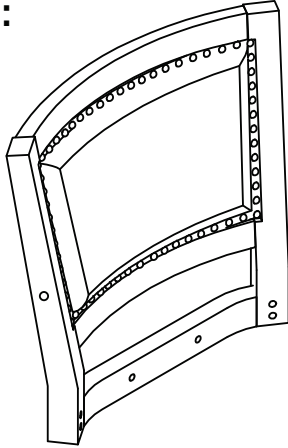
# Assembly Overview



# PARTS

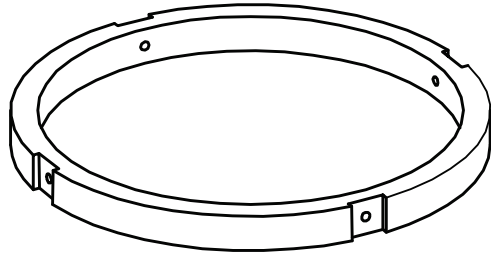
① (x1)

**Backrest:**



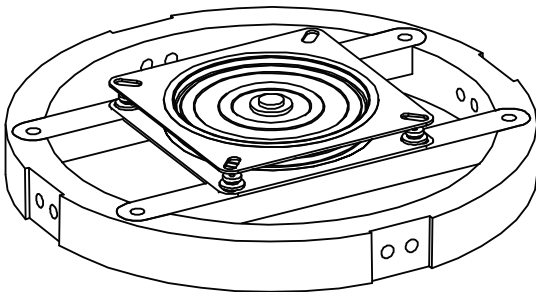
② (x1)

**Footrest:**



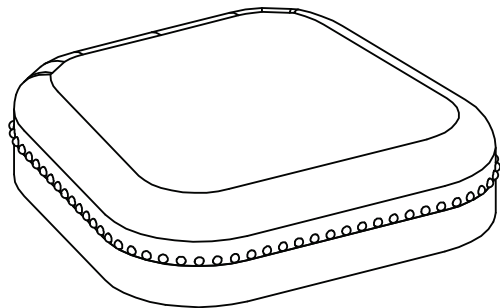
③ (x1)

**Apron With Swivel Plate:**



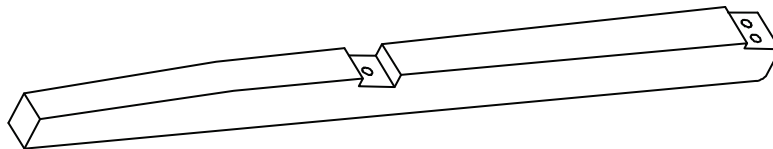
④ (x1)

**Seat Cushion:**

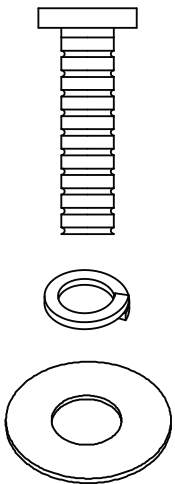
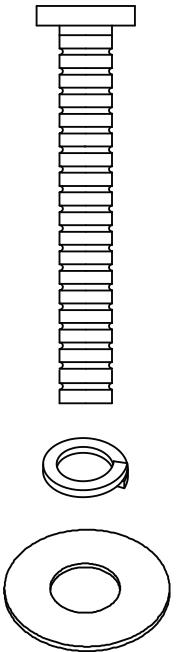
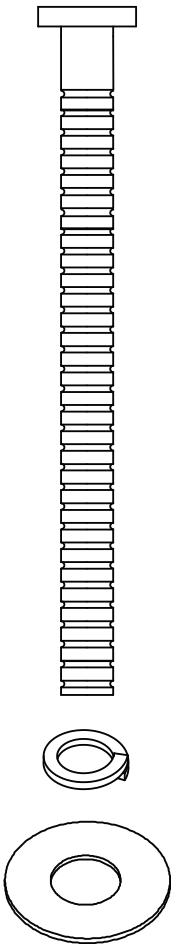
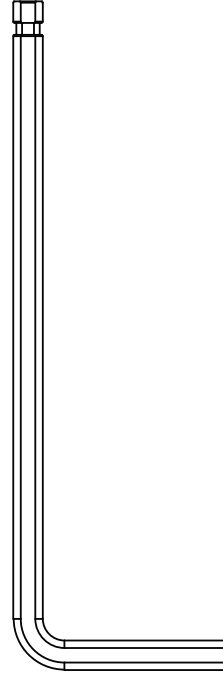


⑤ (x4)

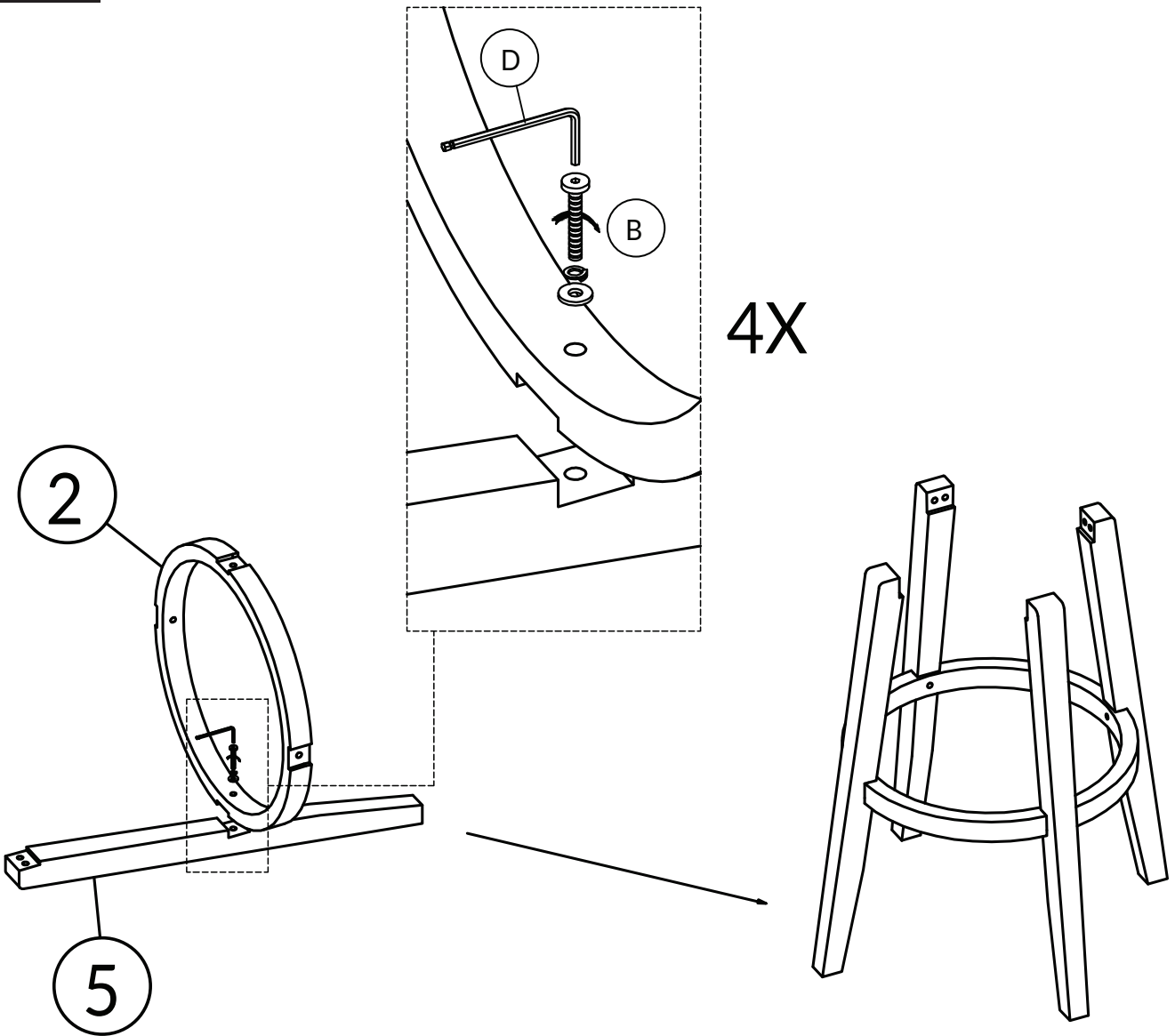
**Leg:**



# HARDWARE

A	B	C	D (x1)
			
<p>M6*25: 4pcs M6*16: 4pcs M6*13: 4pcs</p>	<p>M6*45: 14pcs M6*16: 14pcs M6*13: 14pcs</p>	<p>M6*80: 4pcs M6*16: 4pcs M6*13: 4pcs</p>	<p>Allen Wrench</p>

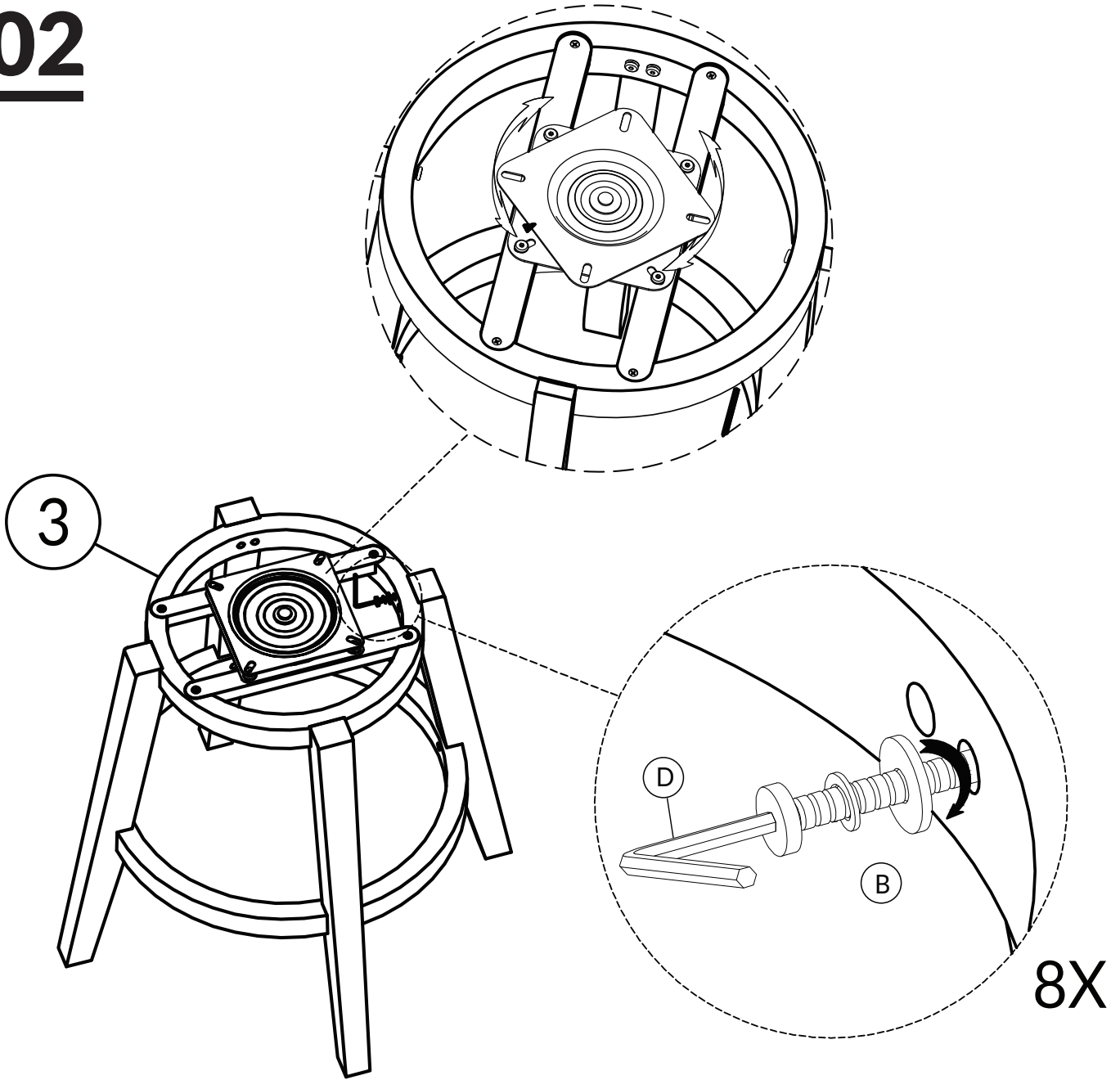
# 01



Hardware	Count
B	4
D	1

DO NOT TIGHTEN BOLT COMPLETELY.

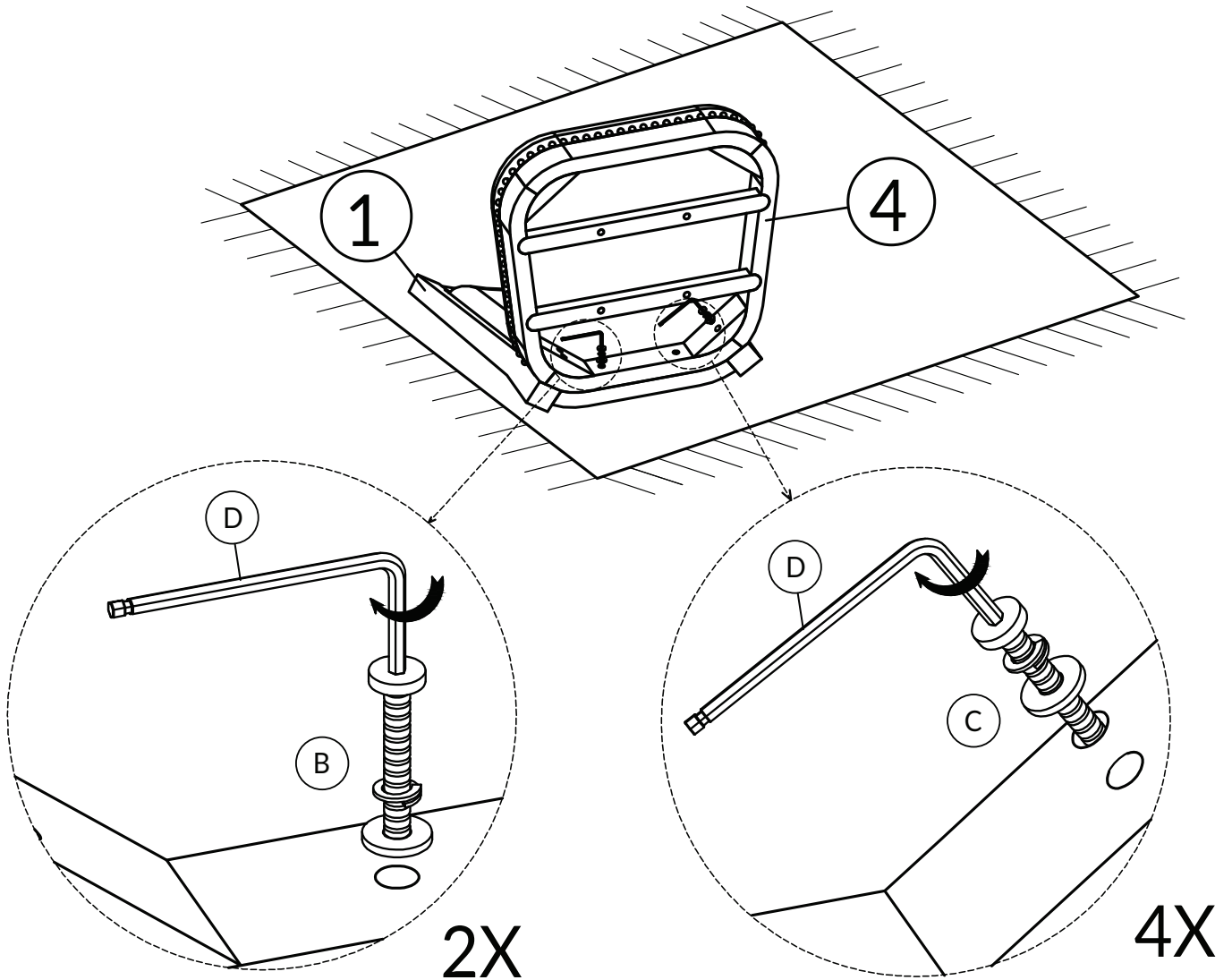
# 02



Hardware	Count
B	8
D	1

TIGHTEN BOLT COMPLETELY.

# 03

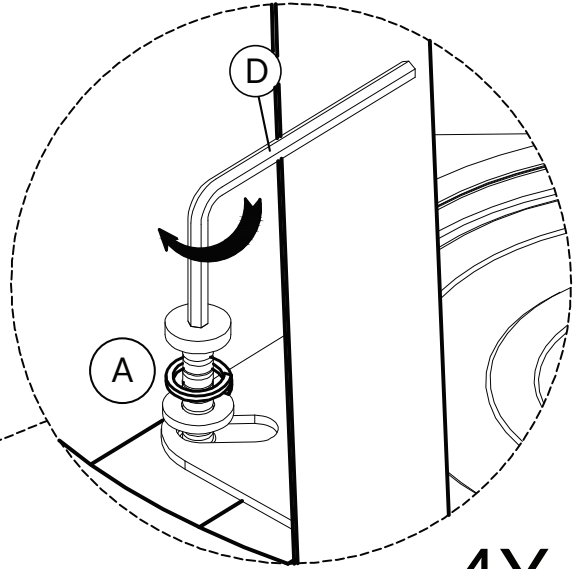
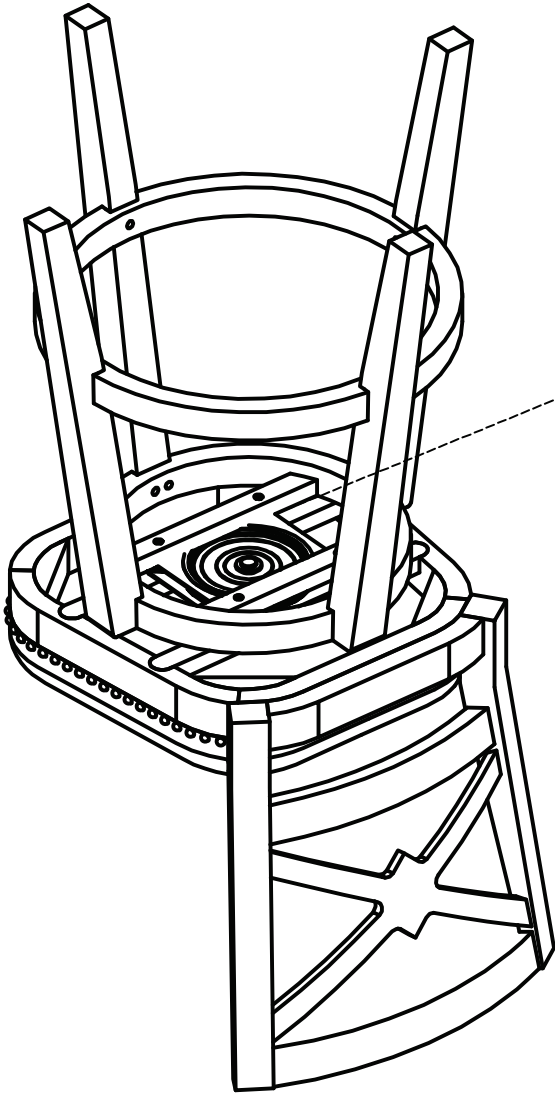


Hardware	Count
B	2
C	4
D	1

TIGHTEN BOLT COMPLETELY.



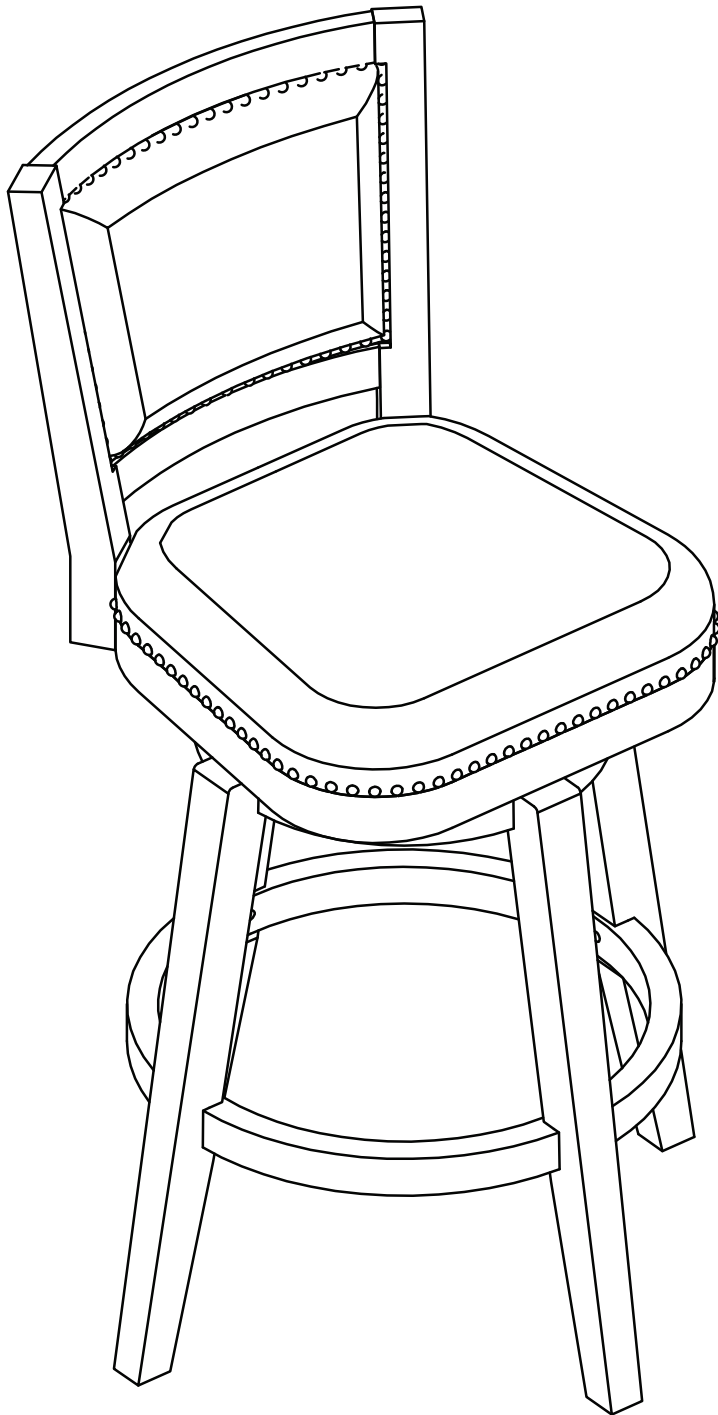
# 04



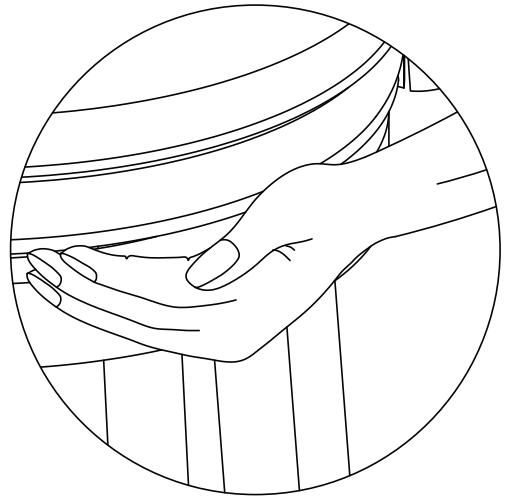
4X

Hardware	Count
A	4
D	1

TIGHTEN BOLT COMPLETELY.



Weight Capacity



**BE SURE TO CHECK ALL BOLTS ARE SECURELY TIGHTENED PRIOR TO USE.**