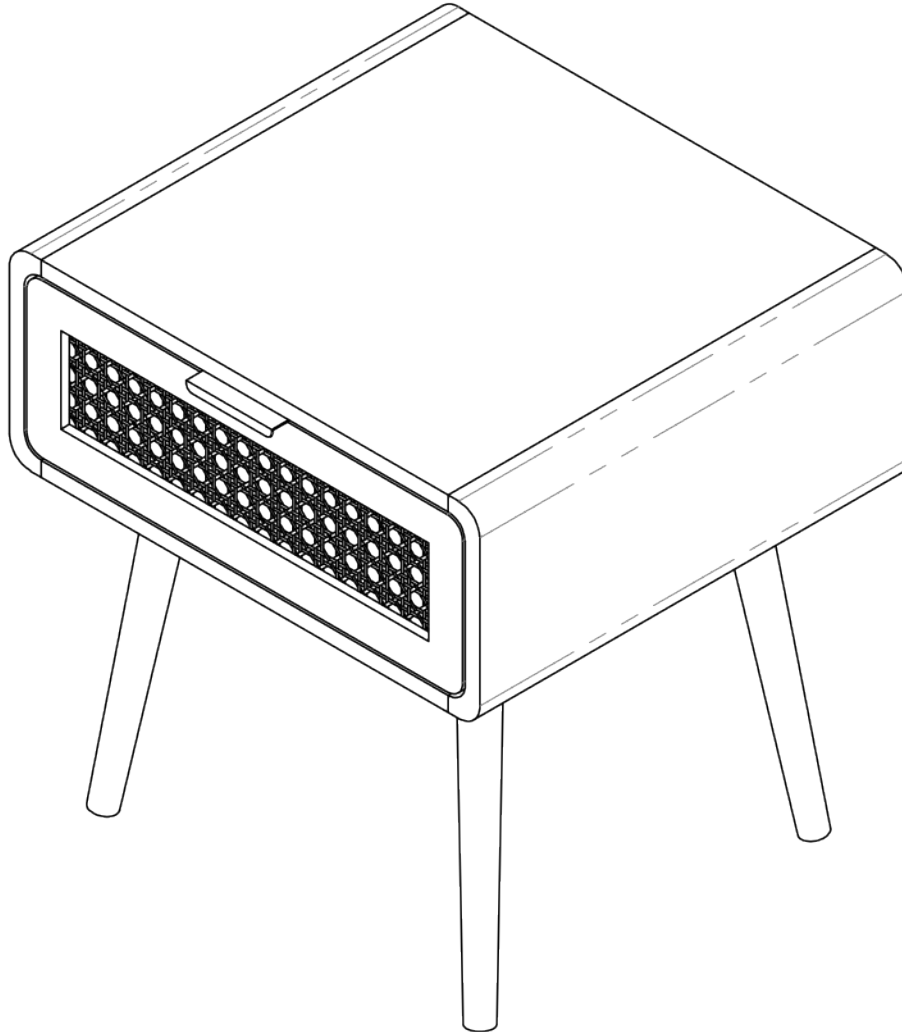




Boraam Industries

ASSEMBLY INSTRUCTIONS

SKU: 34413 | CAMBRIA END TABLE



05/2024



Have questions about assembling your item?



Items or parts damaged?



Missing a part?

We're here to help! (Monday-Friday from 9am-5pm CST)



847-949-6300
877-267-2261



customerservice@
boraamindustries.com



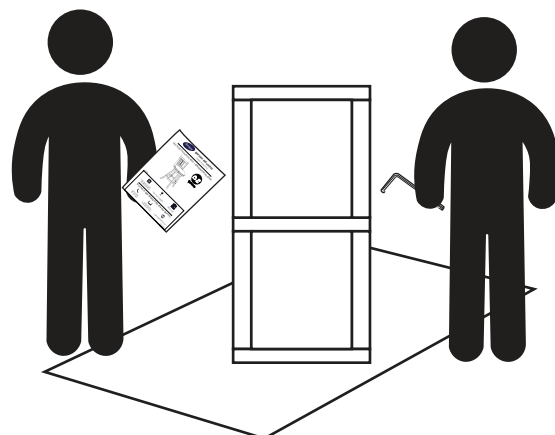
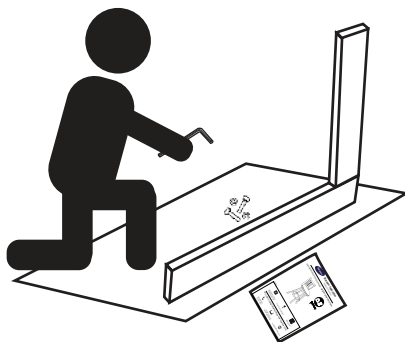
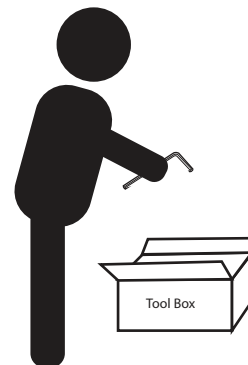
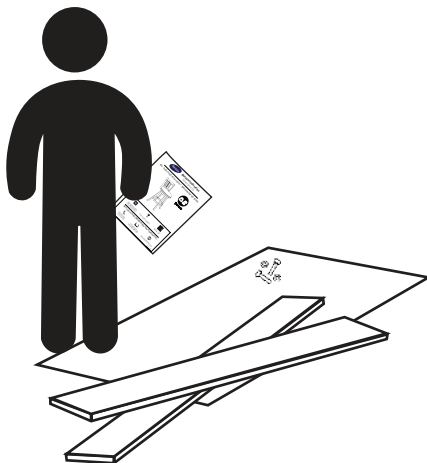
www.boraamindustries.com

Assembly And Care

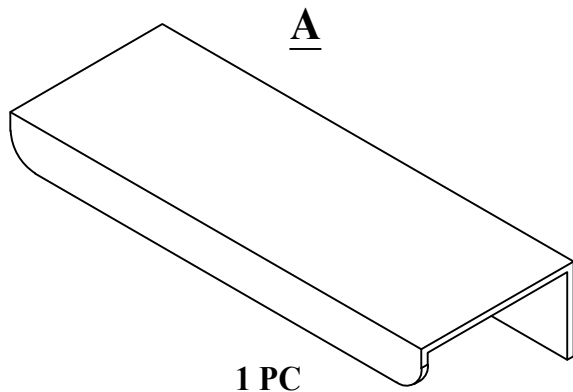
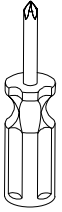
- All tools required for assembly are included unless noted.
- Prior to assembly, check for missing or damaged parts.
- Do not dispose of packing materials until assembly is completed.
- Assemble item on a soft, clean surface to prevent damage to the item.



Locate the **HARDWARE PACK** which is attached to the shipping carton with red tape.



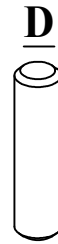
Philips
Screwdriver
(Not Provided)



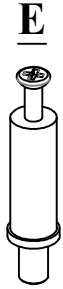
2 PCS



20 PCS

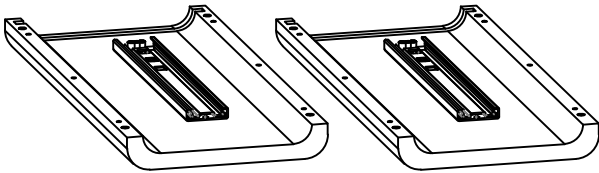


8 PCS

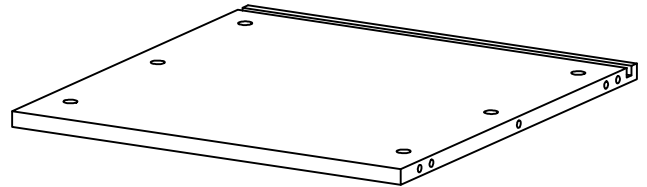


20 PCS

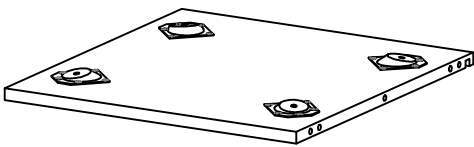
1



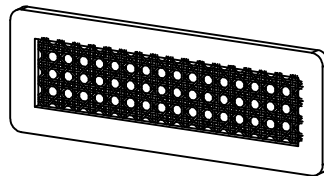
2



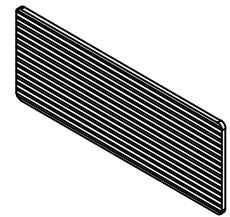
3



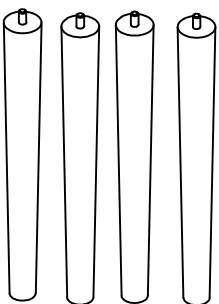
4



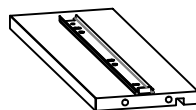
5



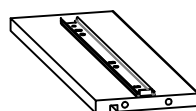
6



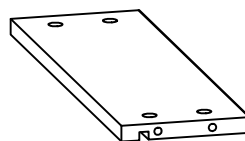
7A



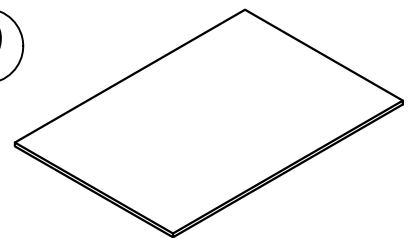
7B



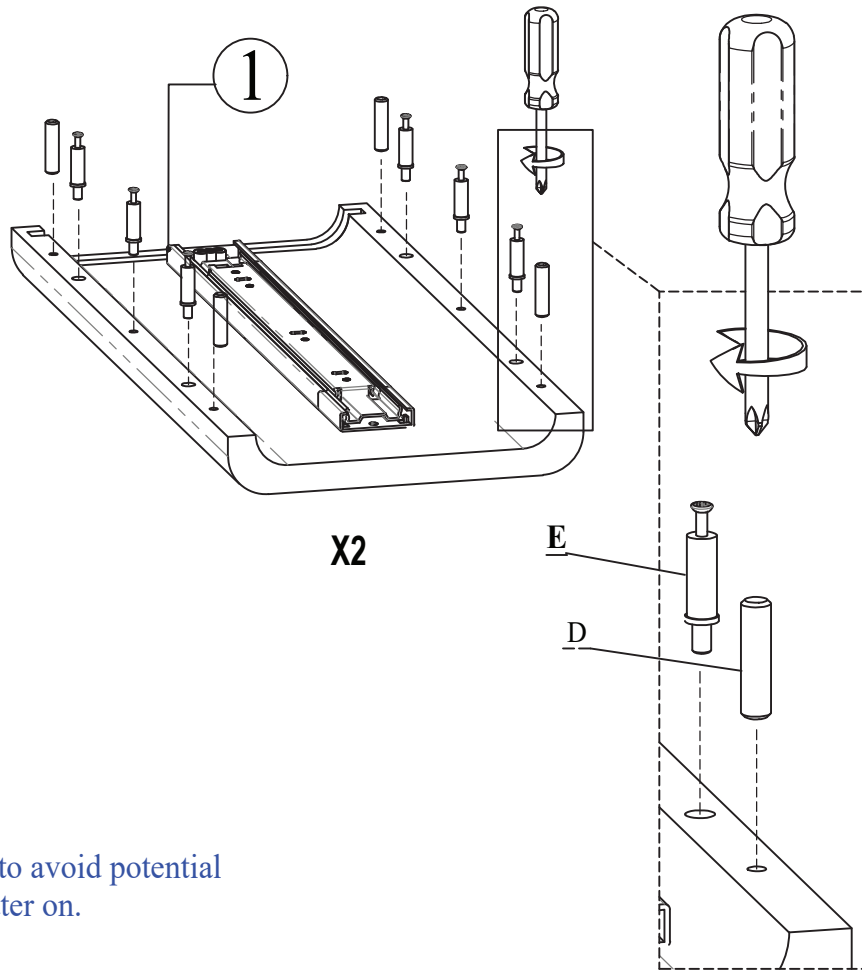
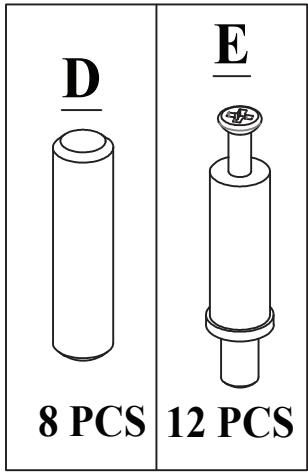
8



9

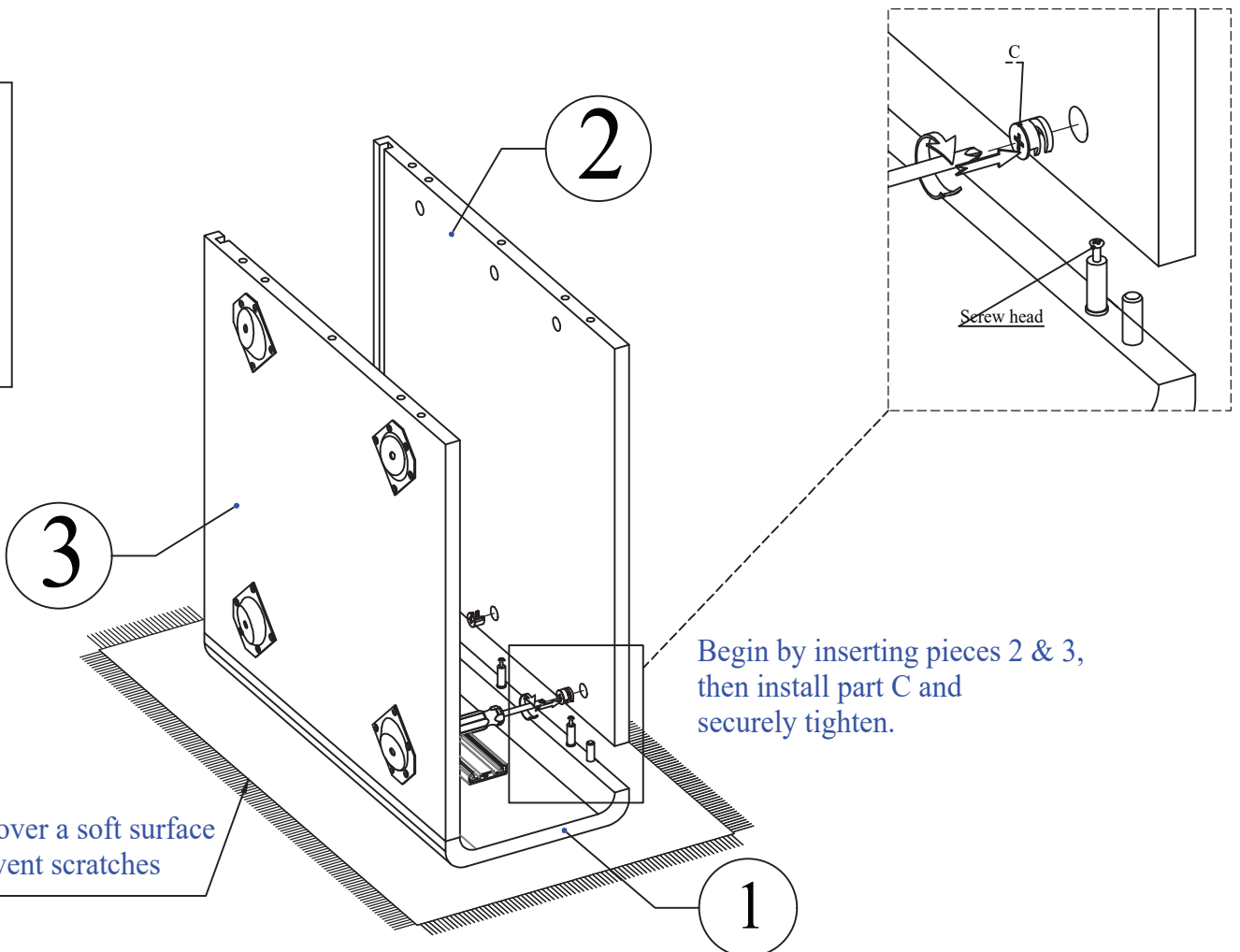
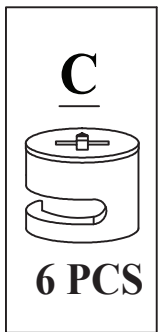


01

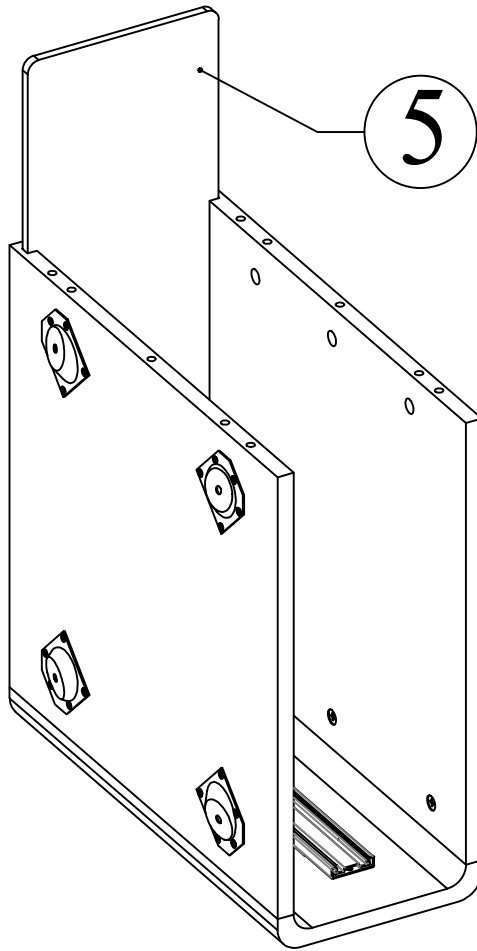


Fully tighten screw 'E' to avoid potential assembly difficulties later on.

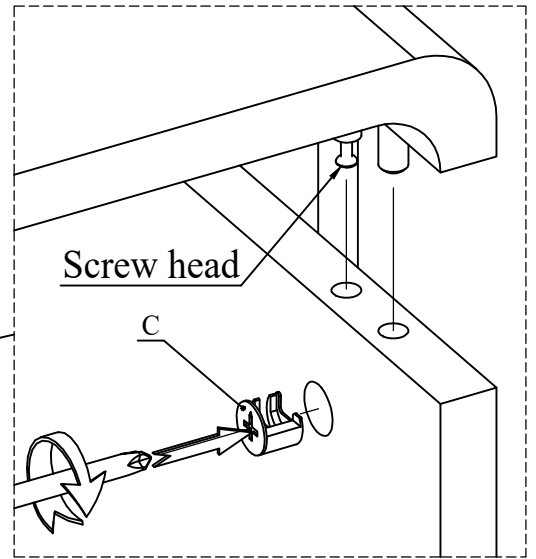
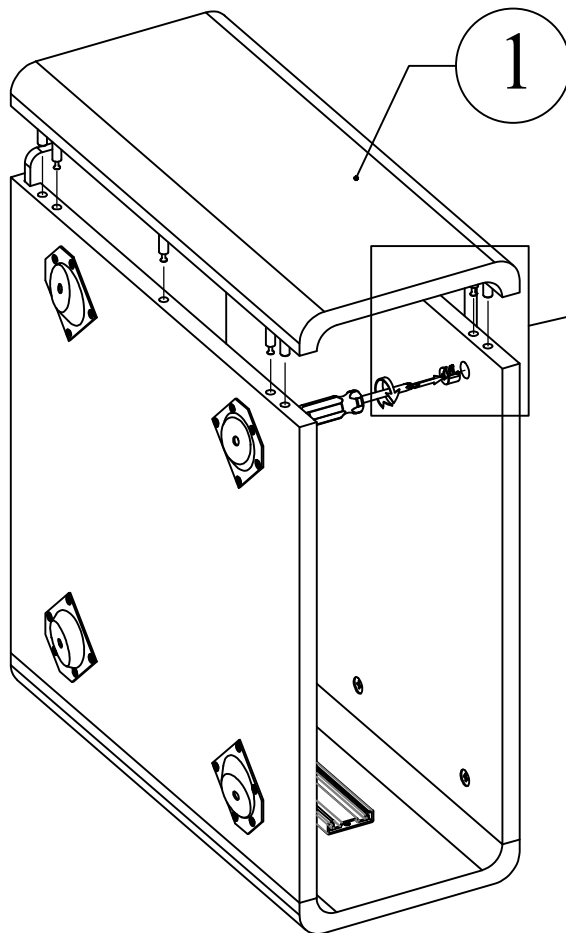
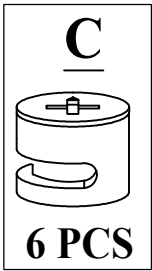
02



03

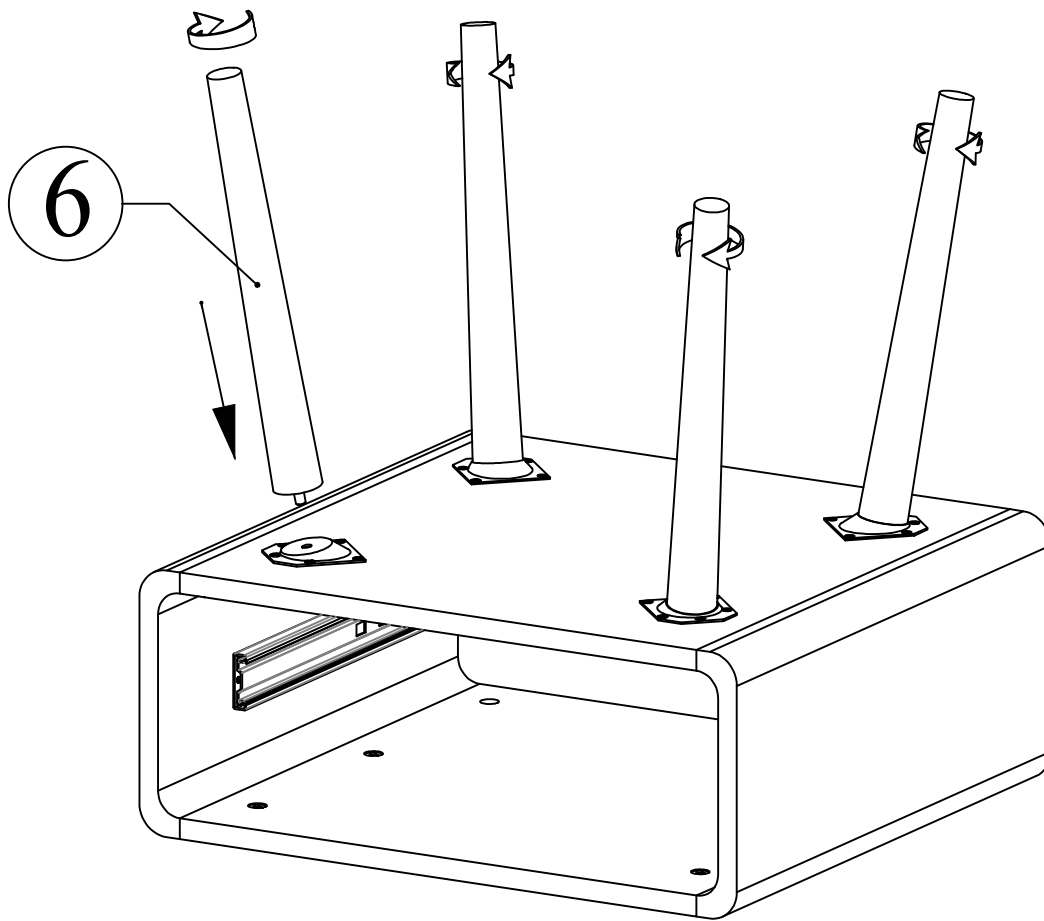


04

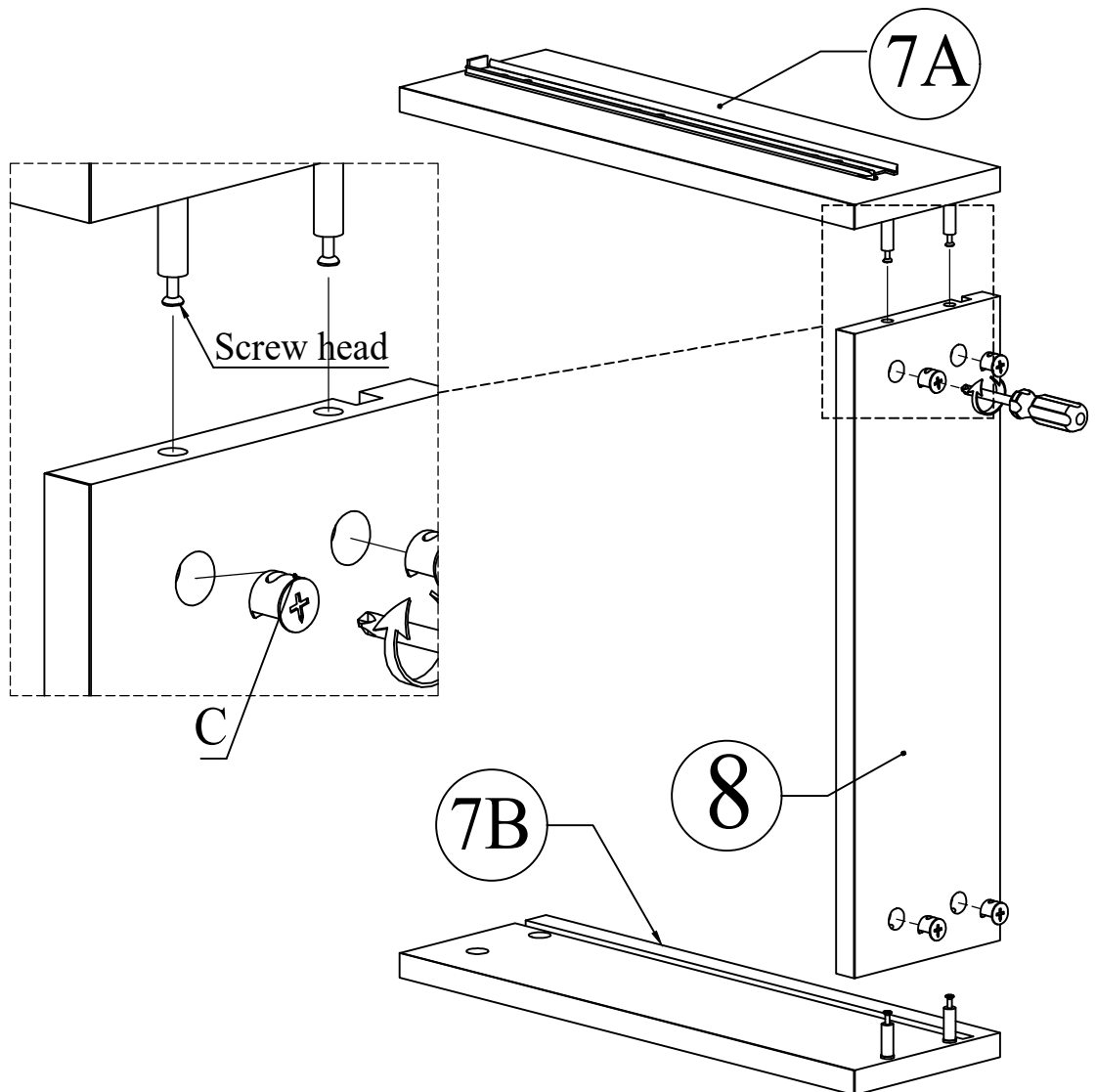
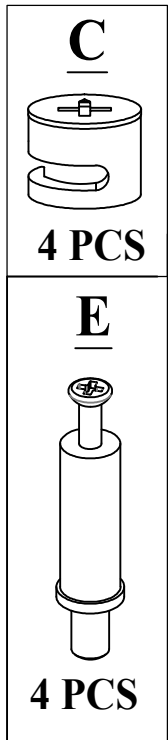


Begin by inserting piece '1',
then install part C and
securely tighten.

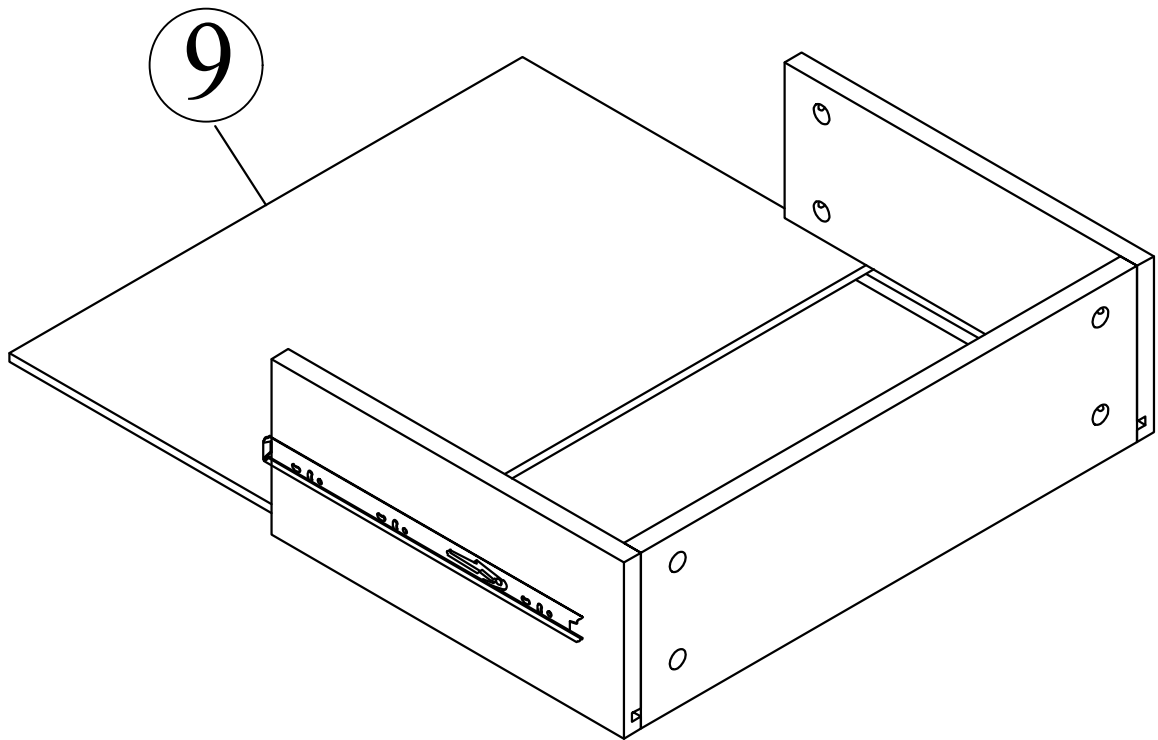
05



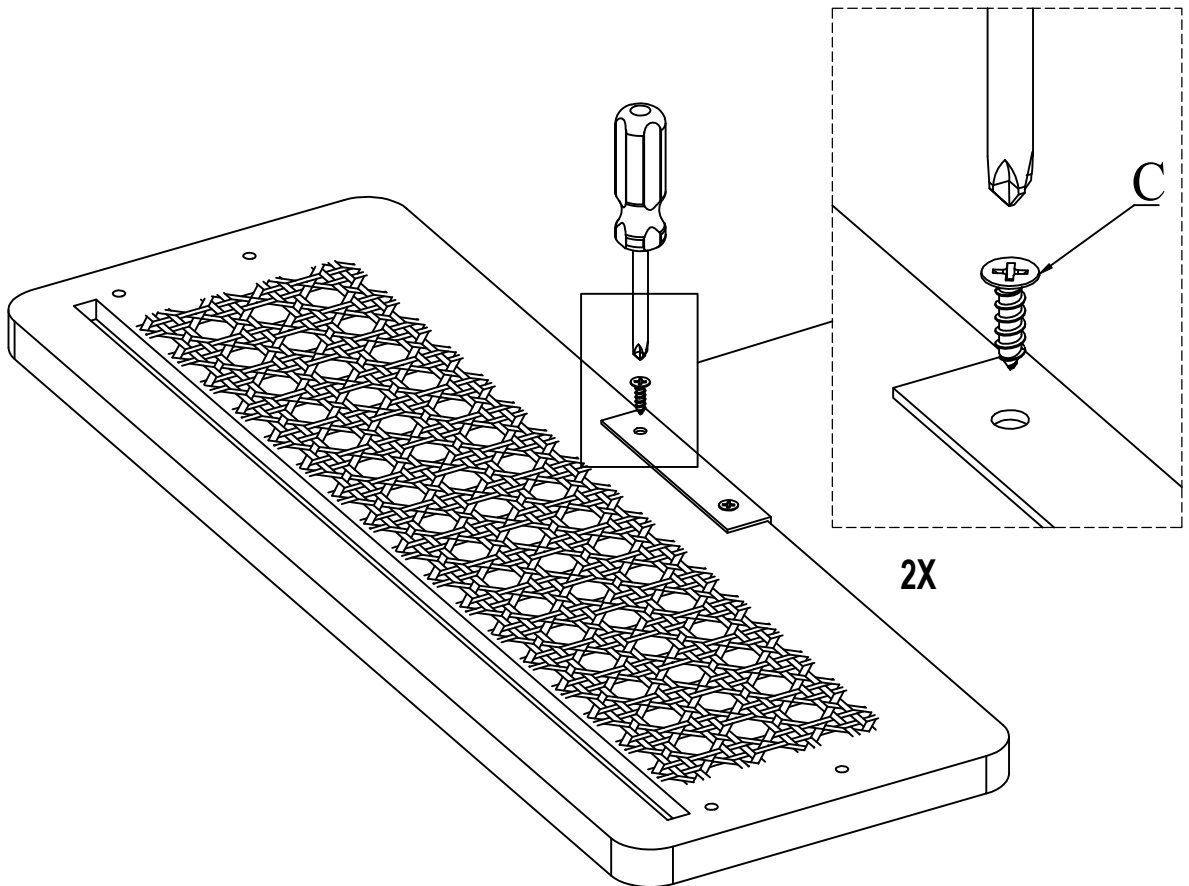
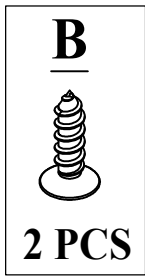
06



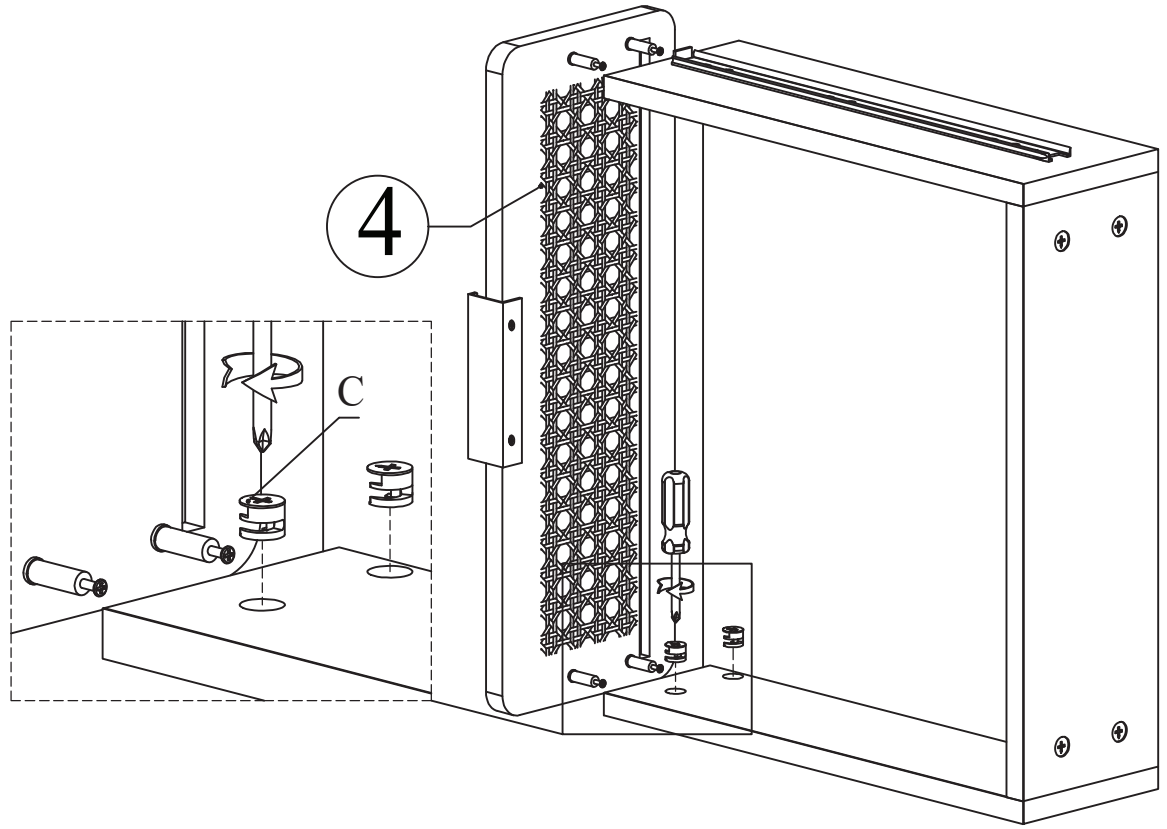
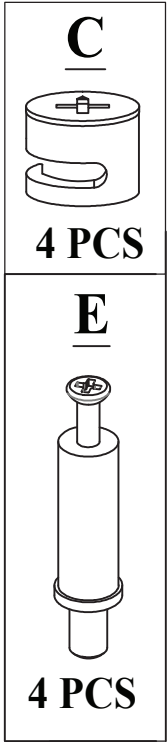
07



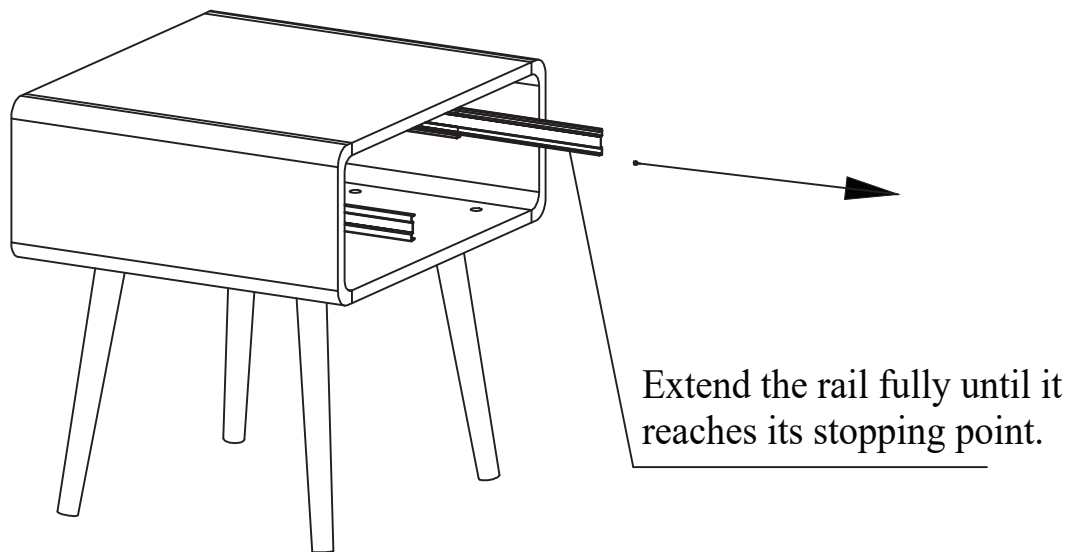
08



09



11



Loosen this screw to adjust the drawer as needed to align with the body.

