

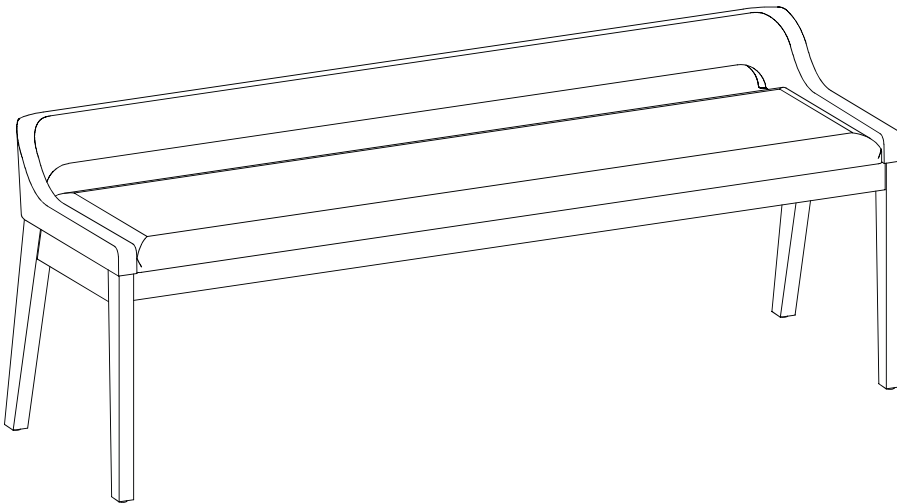


Boraam Industries

ASSEMBLY INSTRUCTIONS

SKU: 77315,77818 | RASMUS DINING BENCH

**Note : Maximum Capacity-2 person,
300lbs per seat.**



Locate the **HARDWARE PACK** which is attached to the shipping carton with red tape.

04/2024



Have questions about assembling your item?



Items or parts damaged?



Missing a part?

We're here to help! (Monday-Friday from 9am-5pm CST)



847-949-6300
877-267-2261



customerservice@
boraamindustries.com



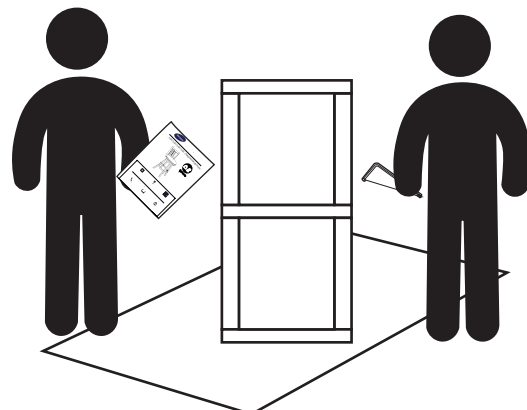
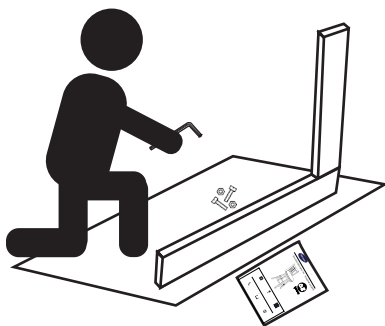
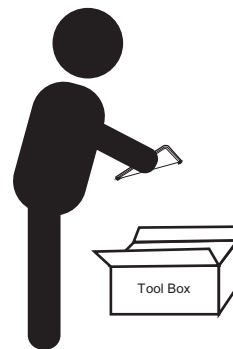
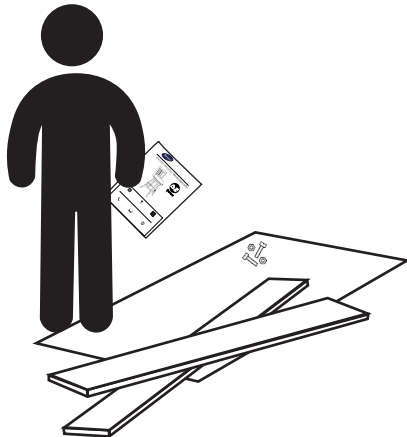
www.boraamindustries.com

Assembly And Care

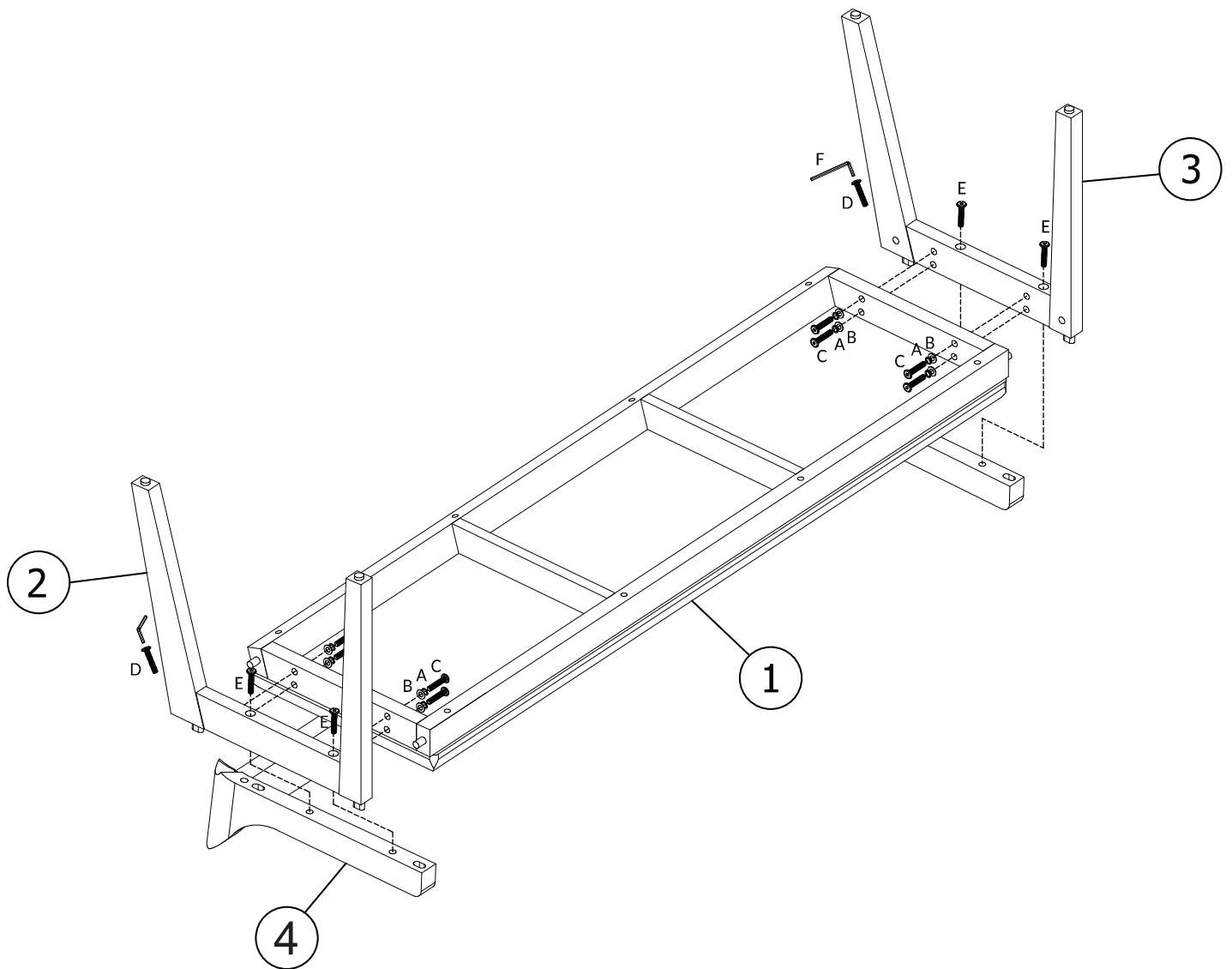
- All tools required for assembly are included unless noted.
- Prior to assembly, check for missing or damaged parts.
- Do not dispose of packing materials until assembly is completed.
- Assemble item on a soft, clean surface to prevent damage to the item.



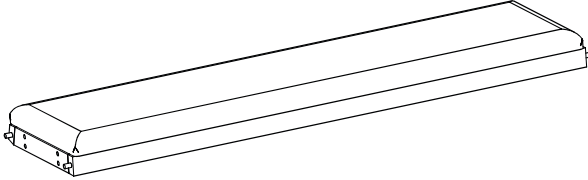
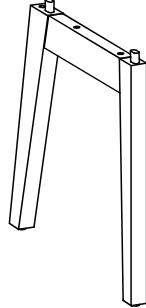
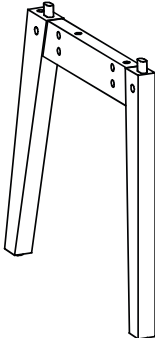
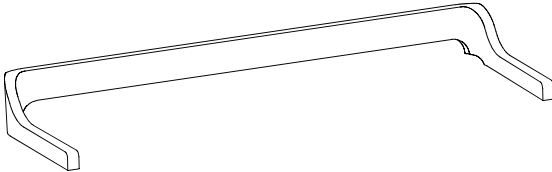
Locate the
HARDWARE PACK
which is attached to the
shipping carton with red
tape.



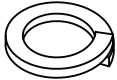
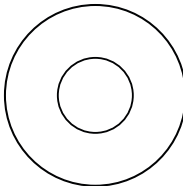
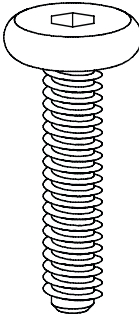
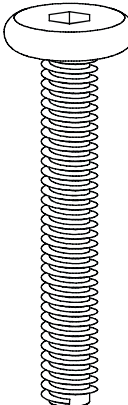
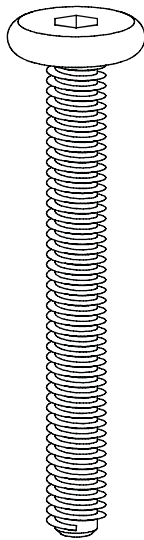
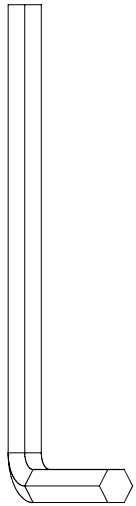
Assembly Overview



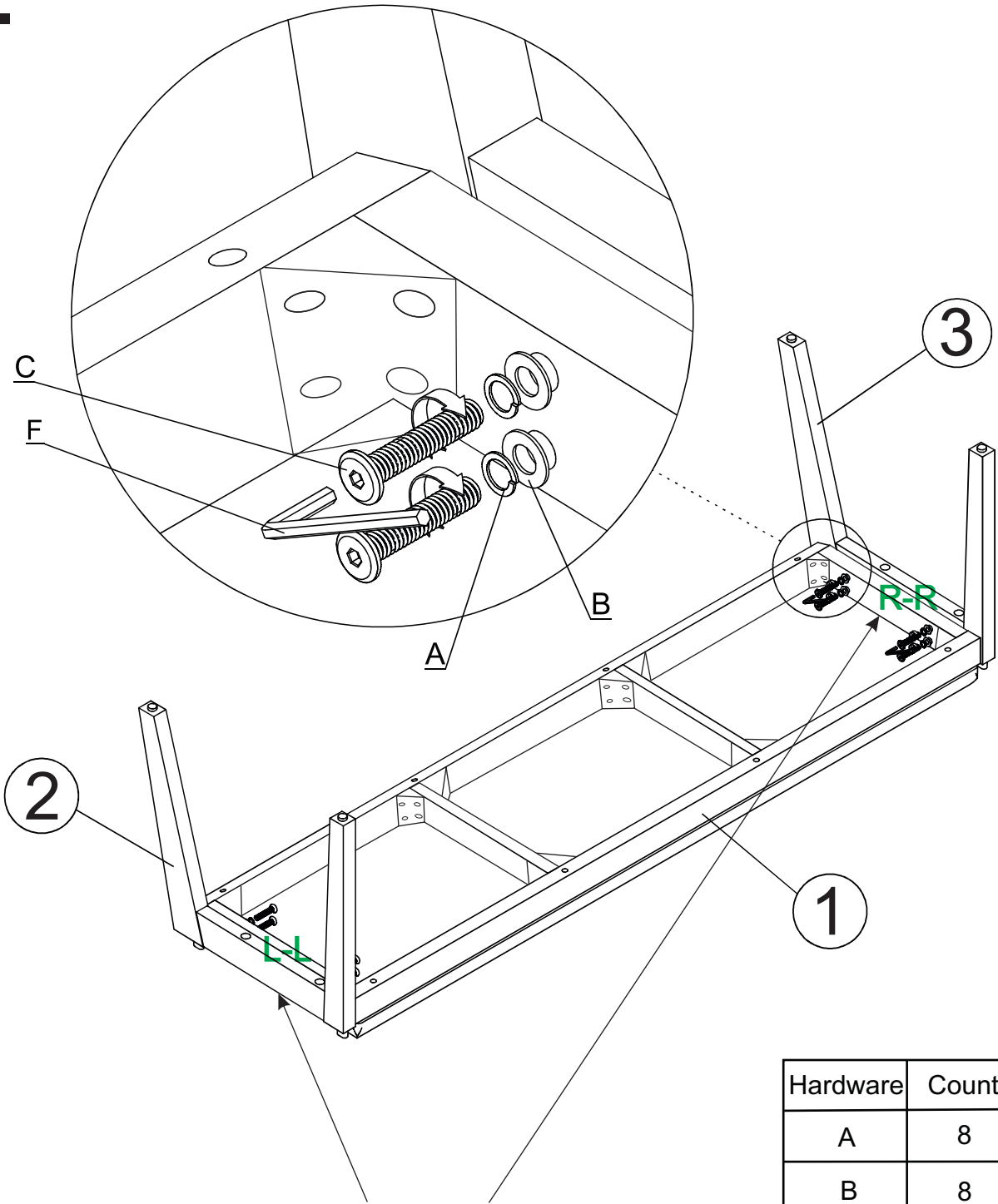
PARTS

① (x1)	② (x1)
Seat Cushion: 	Left Leg: 
③ (x1)	④ (x1)
Right Leg: 	Backrest: 

HARDWARE

Ⓐ (x8)	Ⓑ (x8)	Ⓒ (x8)	Ⓓ (x2)	Ⓔ (x4)	Ⓕ (x1)
					
Spring Washer M8x10	Flat Washer M8x16	Bolt M8x45	Bolt M8x50	Bolt M8x70	Allen Wrench

01

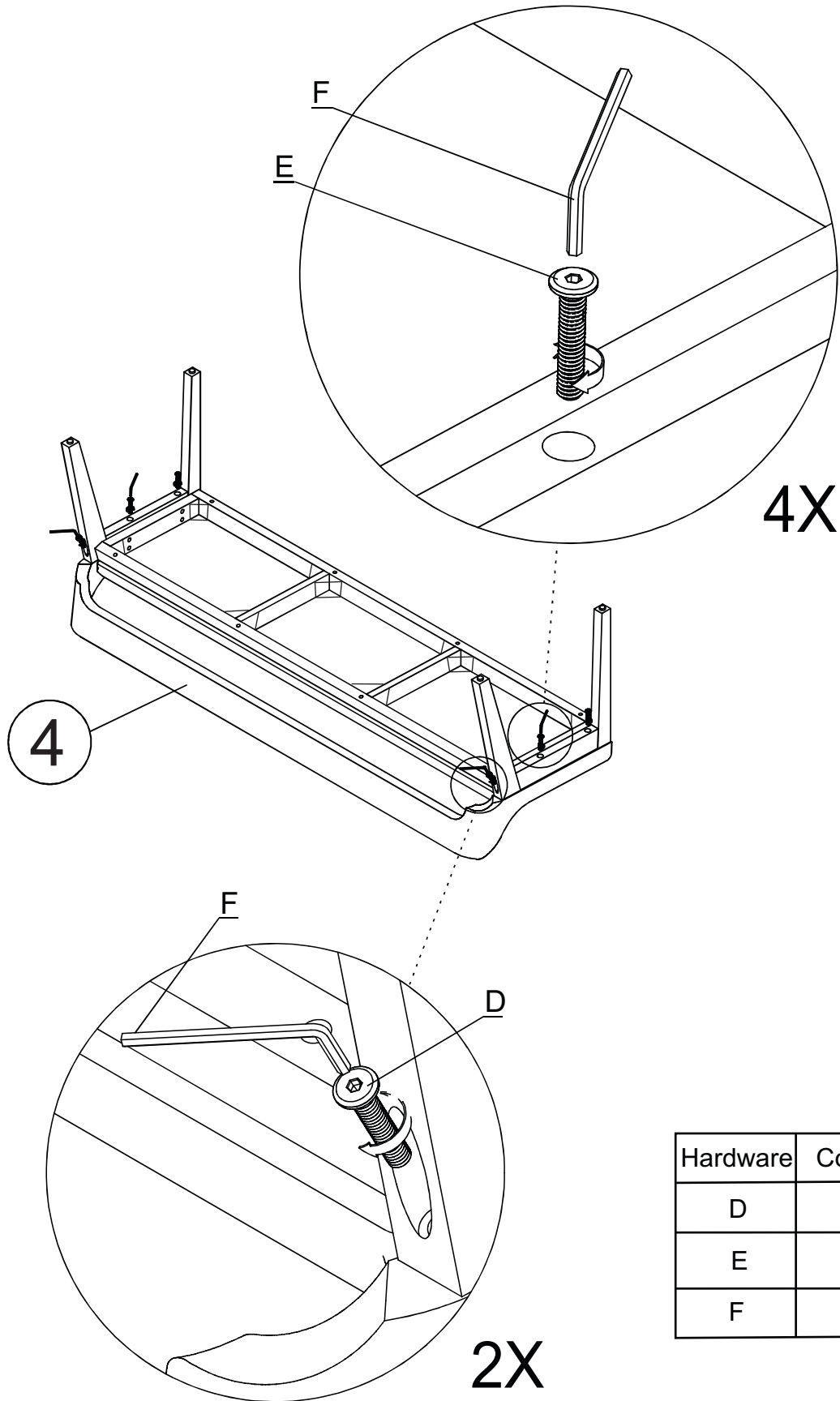


Align Part 1 and Part 2. Match L-L and R-R

Hardware	Count
A	8
B	8
C	8
F	1

DO NOT TIGHTEN BOLT COMPLETELY.

02



Hardware	Count
D	2
E	4
F	1

TIGHTEN BOLT COMPLETELY.

**Note : Maximum Capacity-2 person,
300lbs per seat.**



BE SURE TO CHECK ALL BOLTS ARE SECURELY TIGHTENED PRIOR TO USE.

847-949-6300 | 877-267-2261 | customerservice@boraamindustries.com