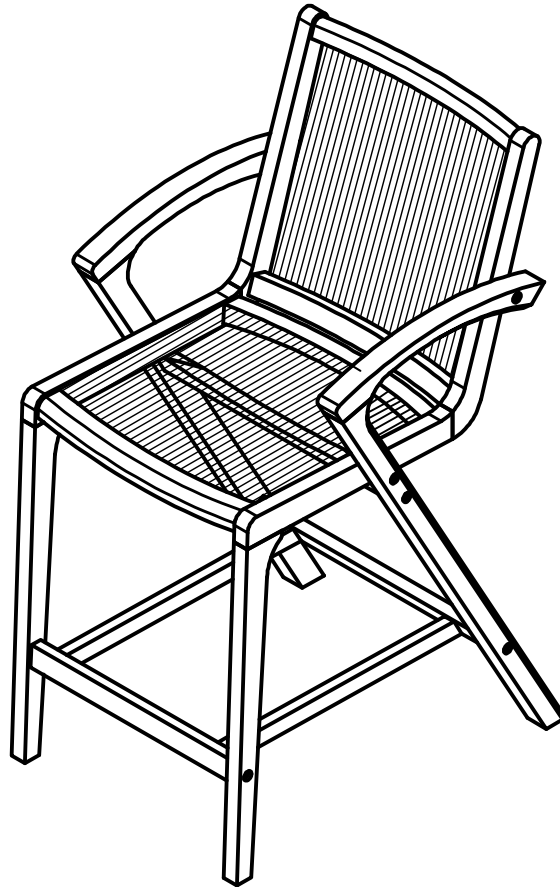




Boraam Industries

ASSEMBLY INSTRUCTIONS

SKU: 80129, 80329 | LUCA ROPE BAR STOOL



Weight Capacity



Locate the **HARDWARE PACK** which is attached to the shipping carton with red tape.

01/2024



Have questions about assembling your item?



Items or parts damaged?



Missing a part?

We're here to help! (Monday-Friday from 9am-5pm CST)



847-949-6300
877-267-2261



customerservice@
boraamindustries.com



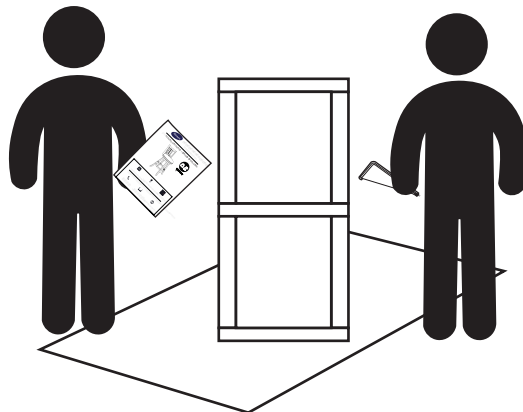
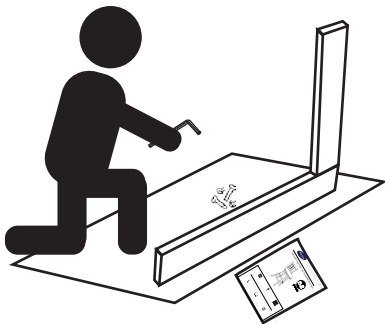
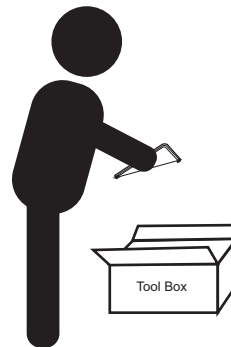
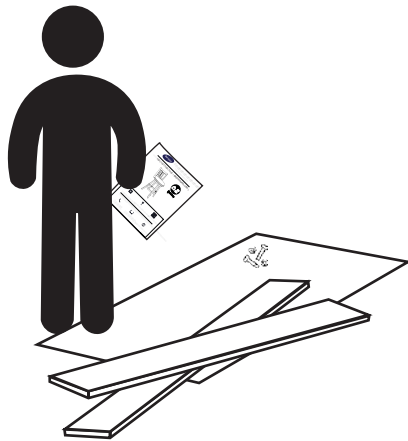
www.boraamindustries.com

Assembly And Care

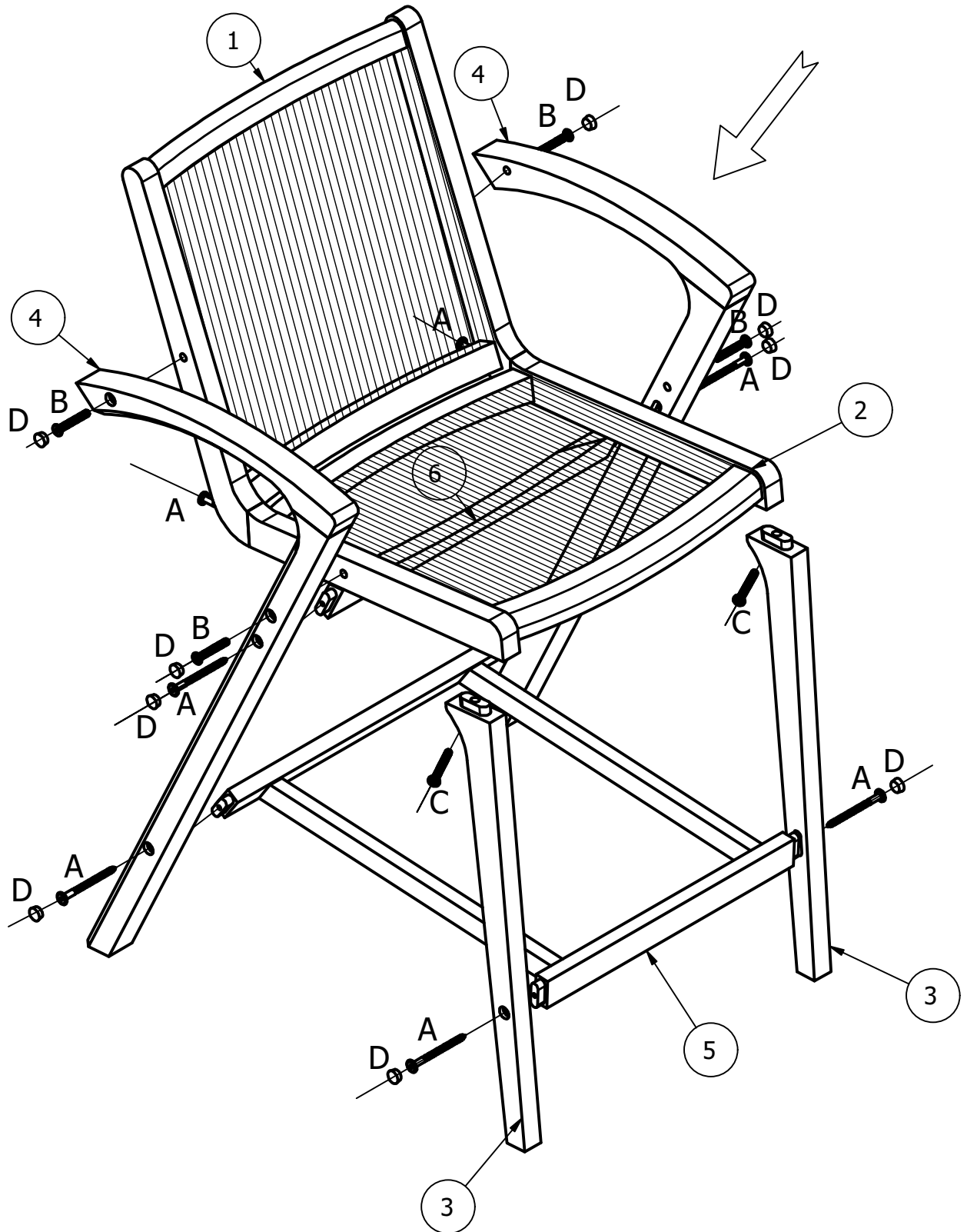
- All tools required for assembly are included unless noted.
- Prior to assembly, check for missing or damaged parts.
- Do not dispose of packing materials until assembly is completed.
- Assemble item on a soft, clean surface to prevent damage to the item.



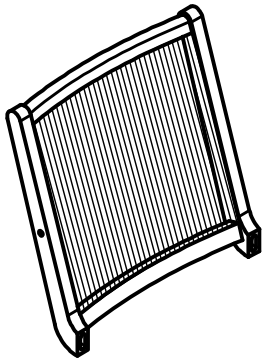
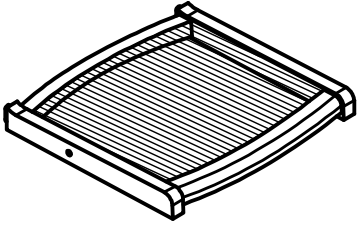
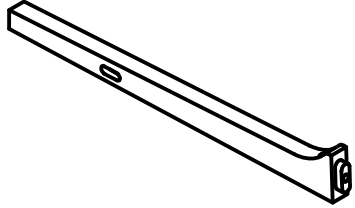
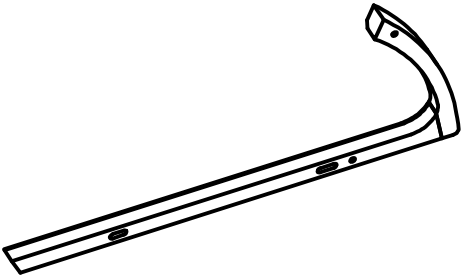
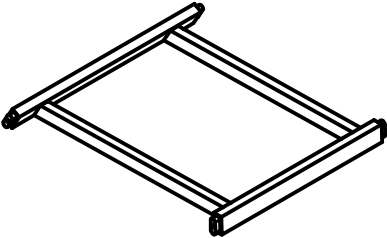
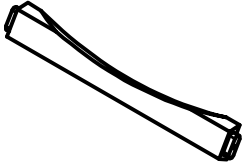
Locate the **HARDWARE PACK** which is attached to the shipping carton with red tape.



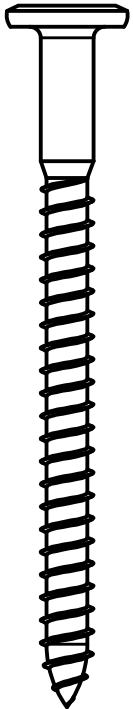
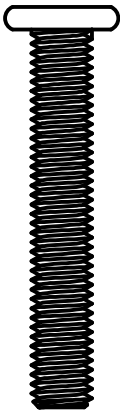
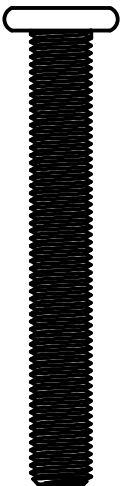
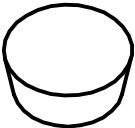
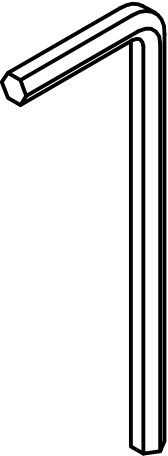
Assembly Overview



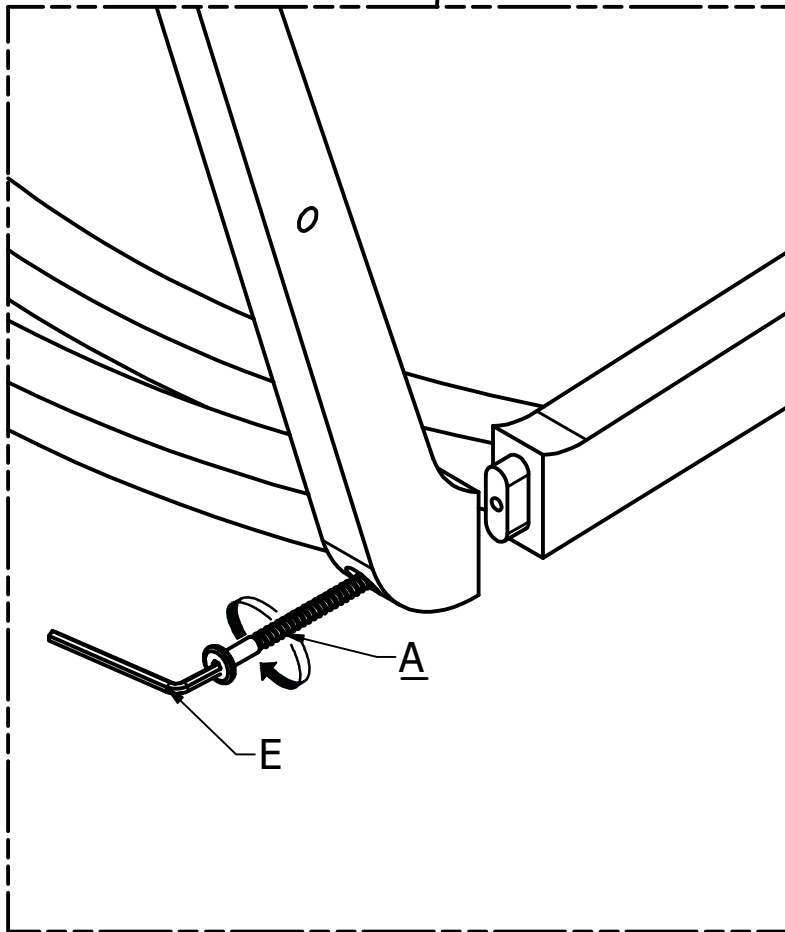
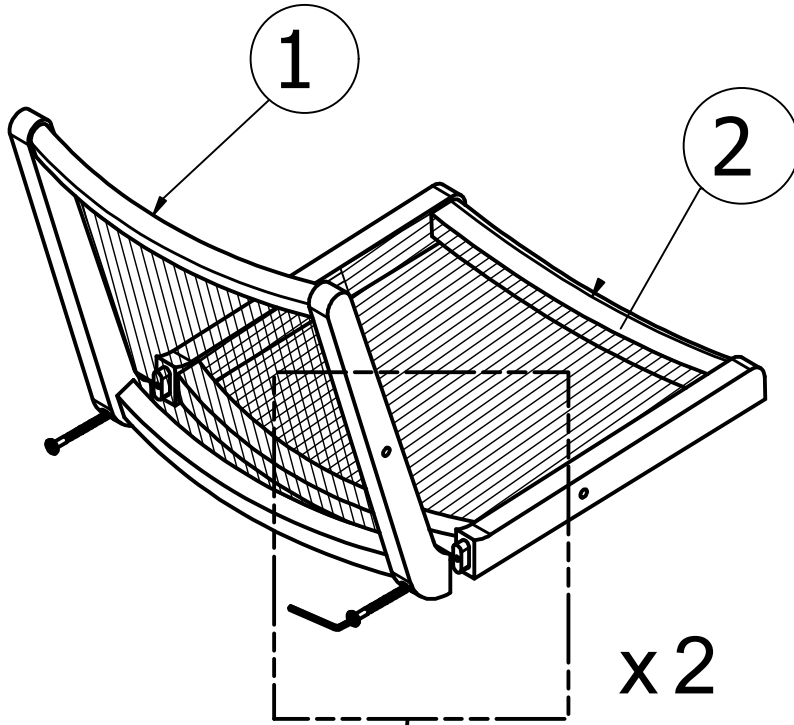
PARTS

<p>① (x1)</p>	<p>② (x1)</p>	<p>③ (x2)</p>
<p>Backrest frame :</p> 	<p>Sitting frame :</p> 	<p>Front leg :</p> 
<p>④ (x2)</p>	<p>⑤ (x1)</p>	<p>⑥ (x1)</p>
<p>Back leg :</p> 	<p>Footrest :</p> 	<p>Support cross bar :</p> 

HARDWARE

<p>① (x8)</p>	<p>② (x4)</p>	<p>③ (x2)</p>	<p>④ (x10)</p>	<p>⑤ (x1)</p>
				
<p>Screw M7x90</p>	<p>Bolt M8x50</p>	<p>Bolt M8x60</p>	<p>Wood nut</p>	<p>Allen Wrench</p>

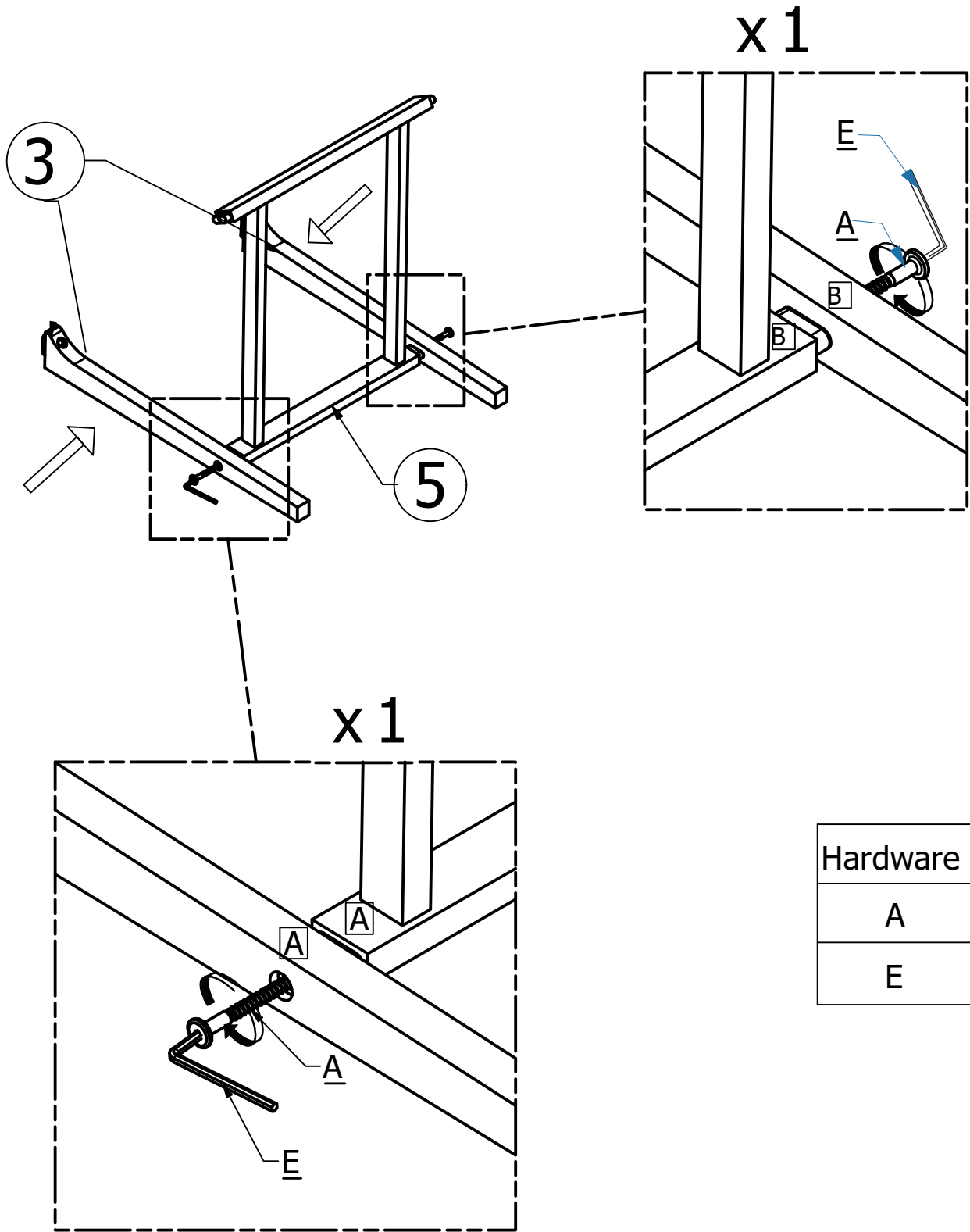
01



Hardware	Count
A	2
E	1

TIGHTEN SCREW COMPLETELY.

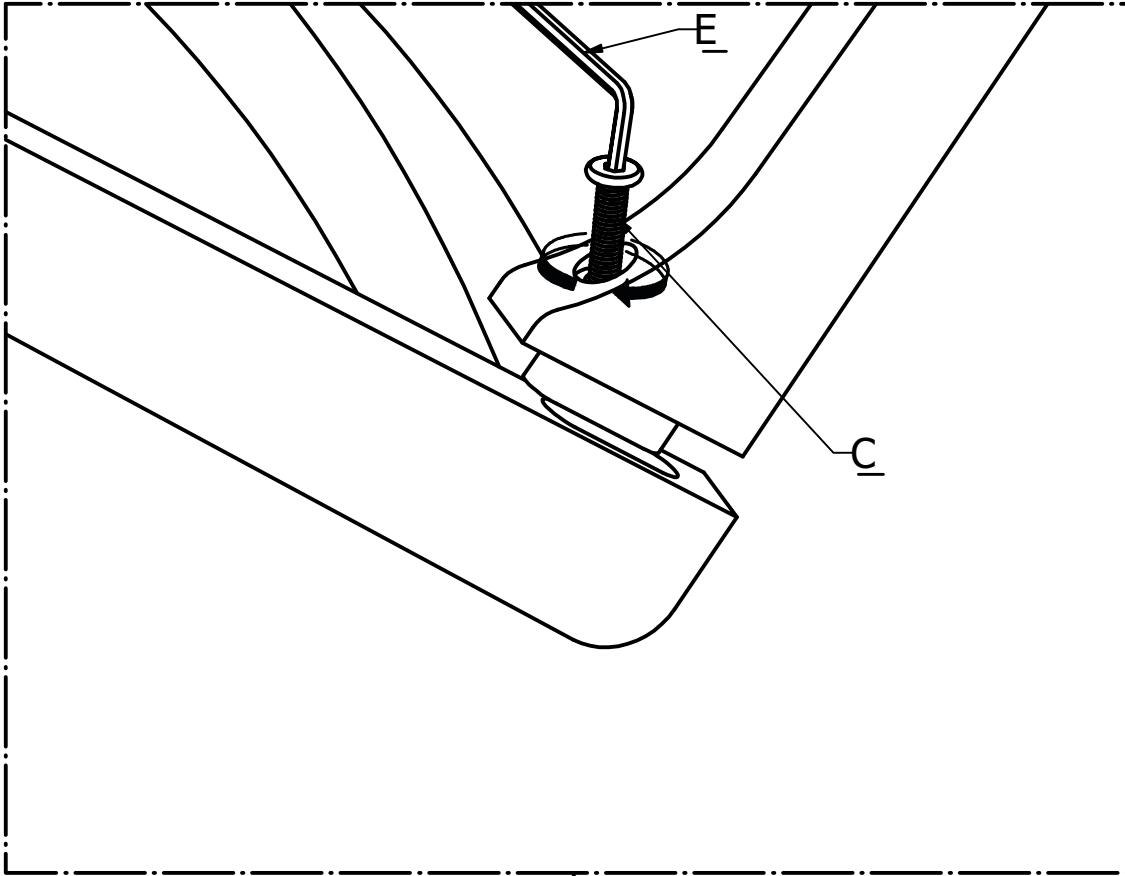
02



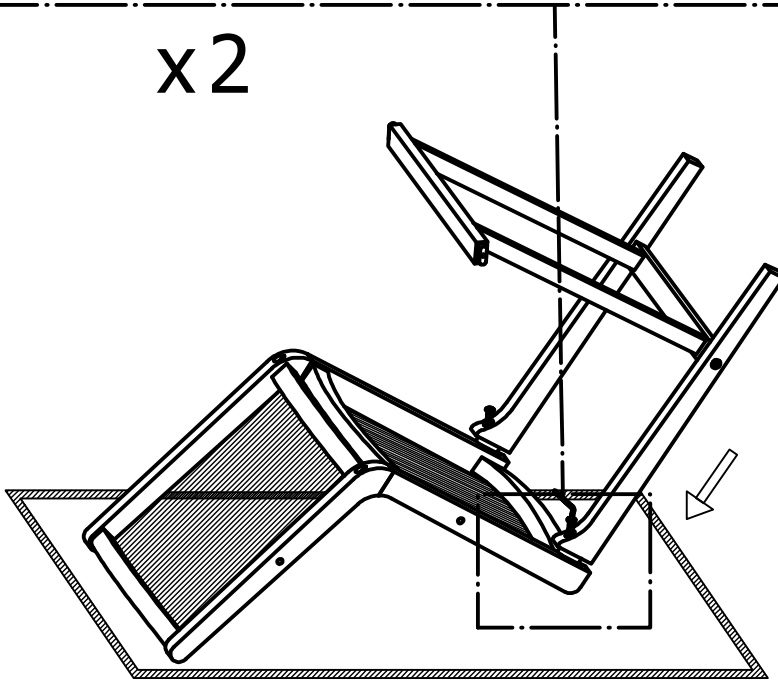
Hardware	Count
A	2
E	1

DO NOT TIGHTEN BOLT COMPLETELY.

03



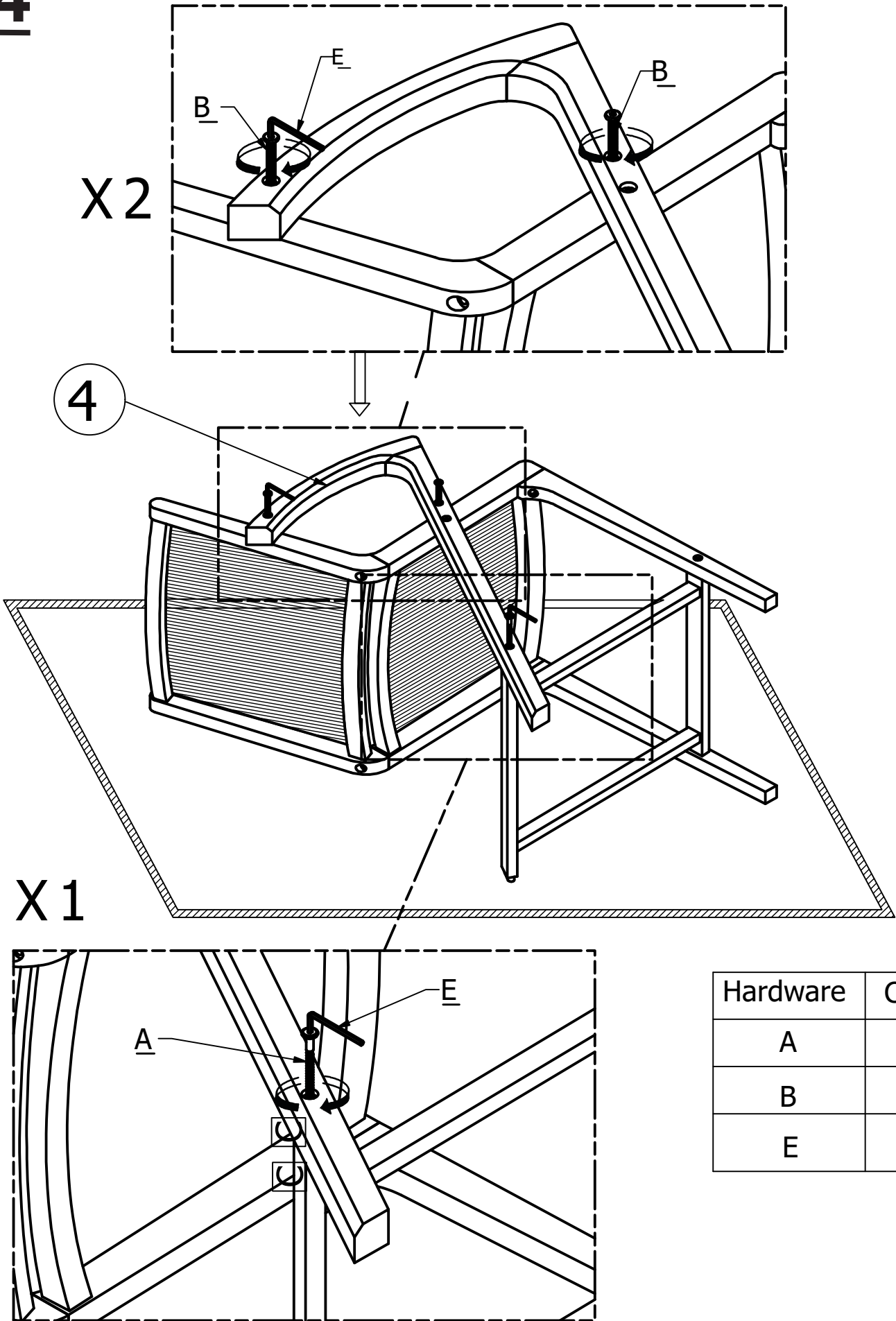
x2



Hardware	Count
C	2
E	1

DO NOT TIGHTEN BOLT COMPLETELY.

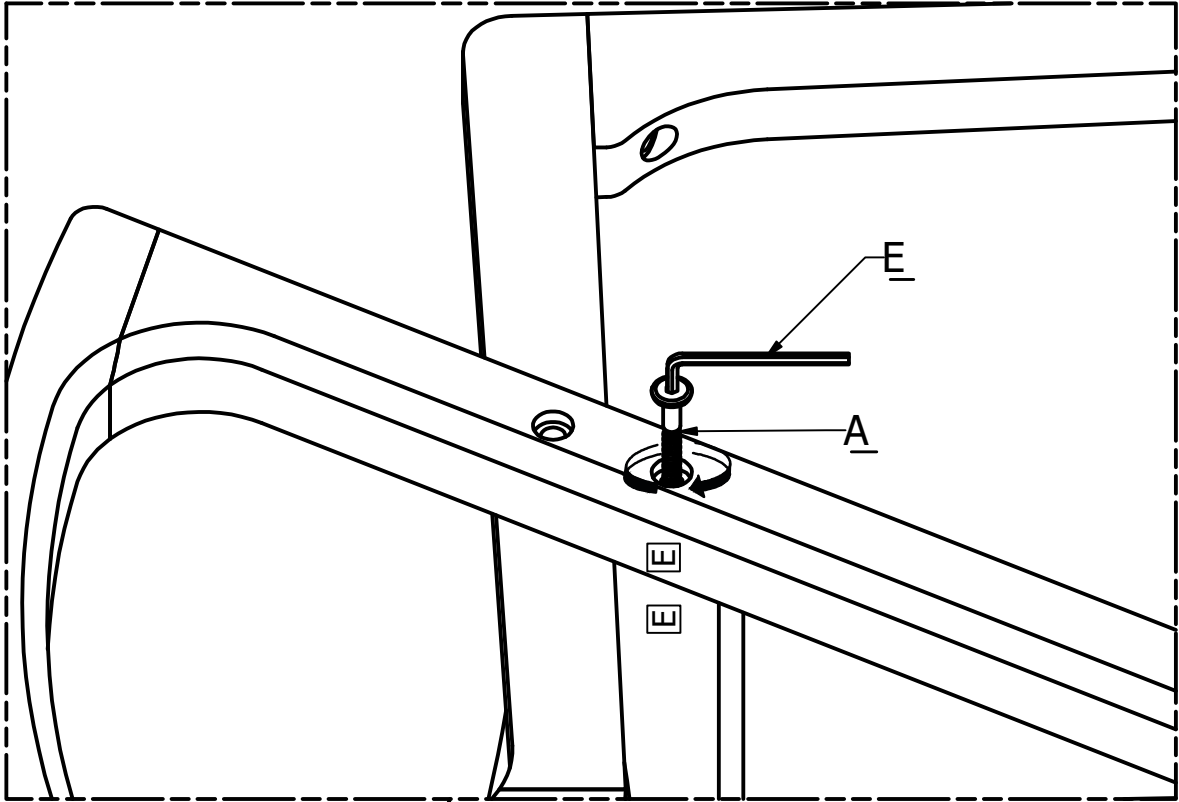
04



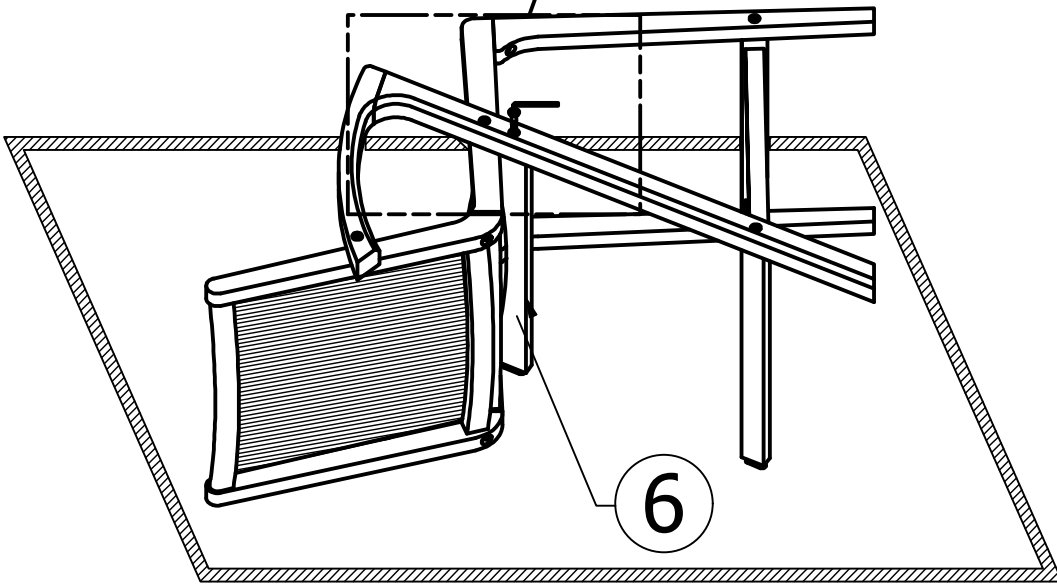
Hardware	Count
A	1
B	2
E	1

DO NOT TIGHTEN BOLT COMPLETELY.

05



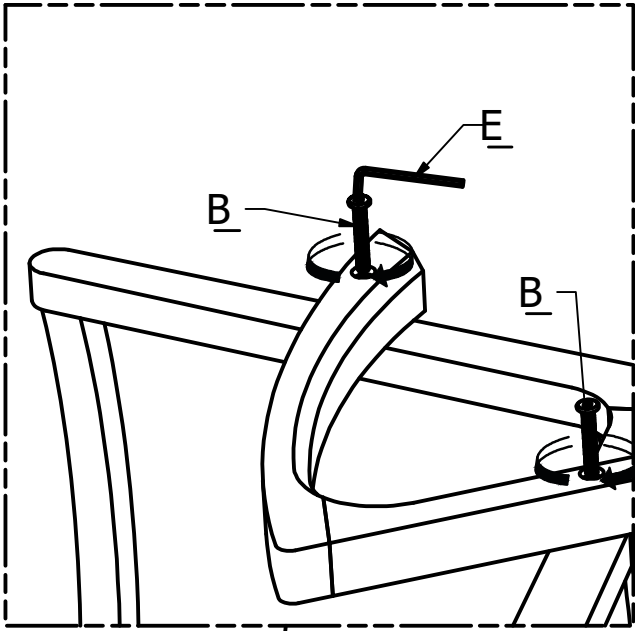
X1



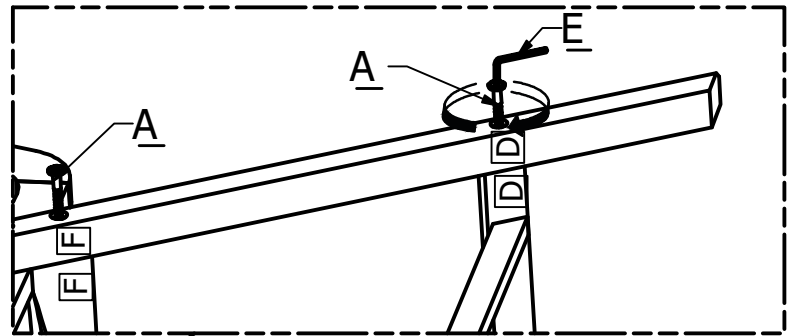
Hardware	Count
A	1
E	1

DO NOT TIGHTEN BOLT COMPLETELY.

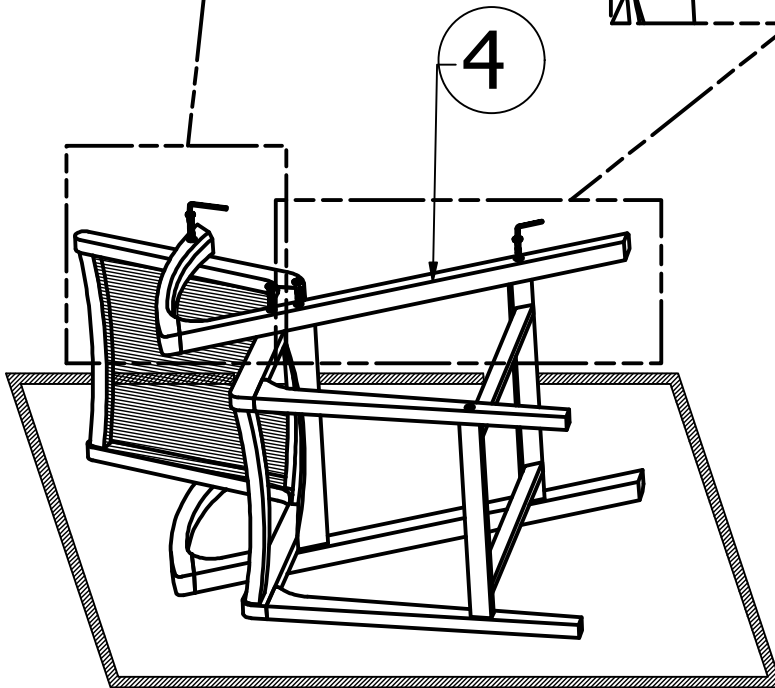
06



X2



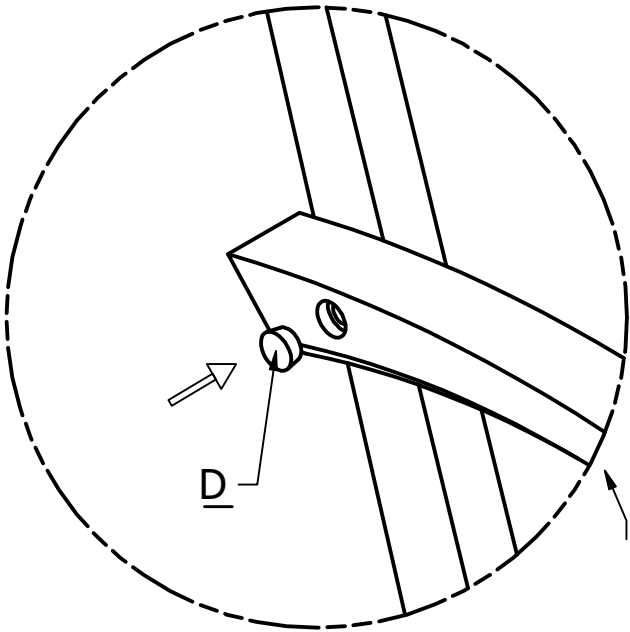
x2



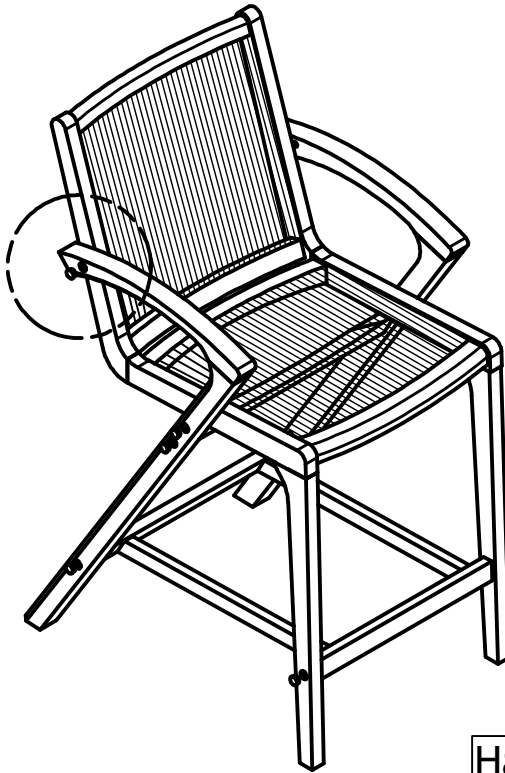
Hardware	Count
A	2
B	2
E	1

TIGHTEN BOLT AND SCREW COMPLETELY.

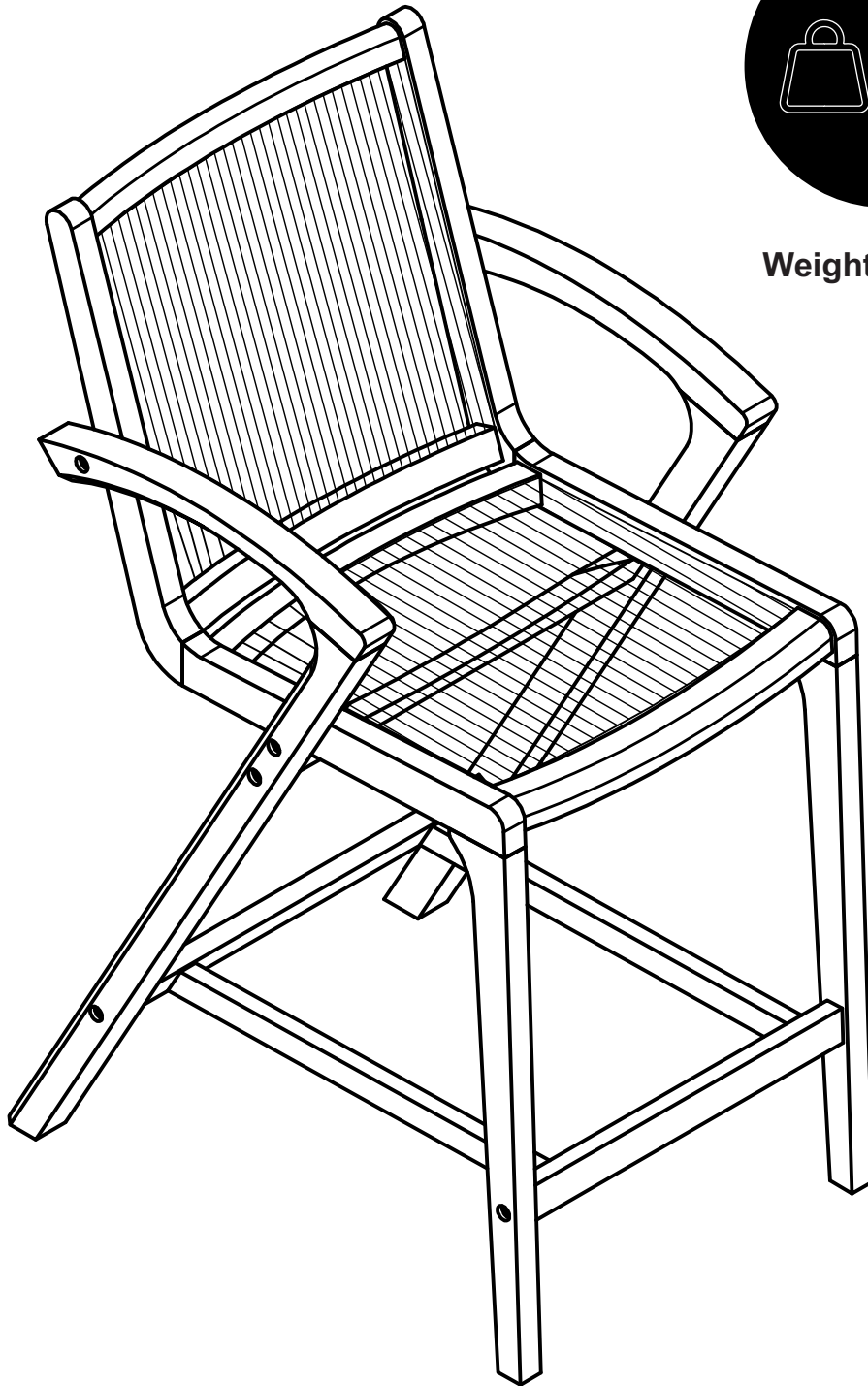
07



x10



Hardware	Count
D	10



Weight Capacity

BE SURE TO CHECK ALL BOLTS ARE SECURELY TIGHTENED PRIOR TO USE.

847-949-6300 | 877-267-2261 | customerservice@boraamindustries.com