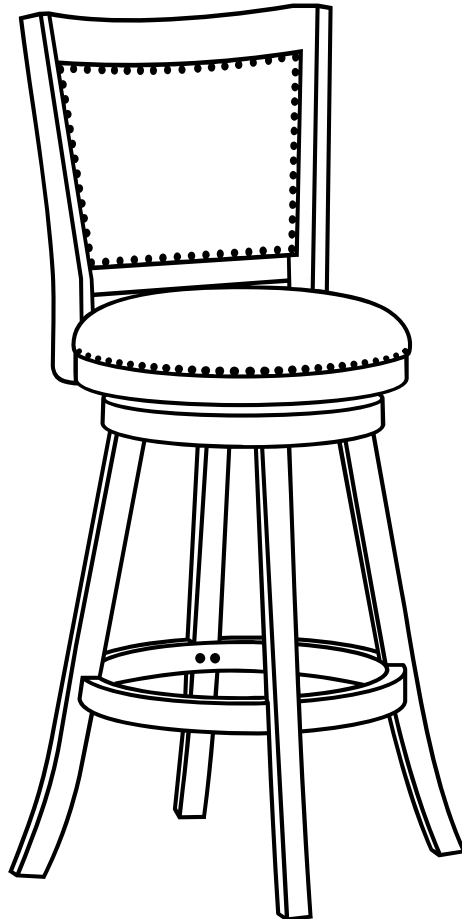




# Boraam Industries

ASSEMBLY INSTRUCTIONS

**SKU: 76624,76629,76524,76529,76224,76229**  
MELROSE SWIVEL STOOL



Weight Capacity



Locate the **HARDWARE PACK** which is attached to the shipping carton with red tape.

01/2024



Have questions about assembling your item?



Items or parts damaged?



Missing a part?

**We're here to help! (Monday-Friday from 9am-5pm CST)**



847-949-6300  
877-267-2261



customerservice@  
boraamindustries.com



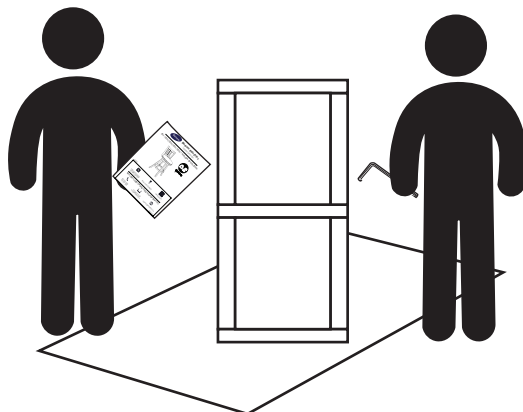
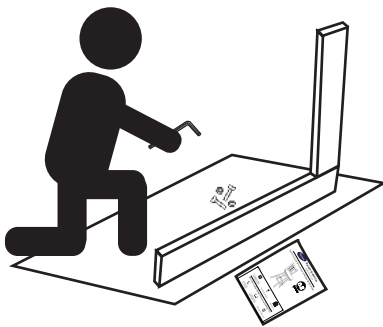
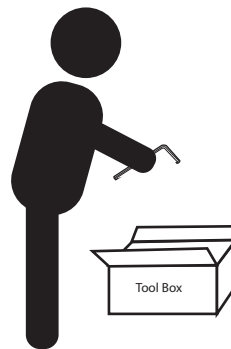
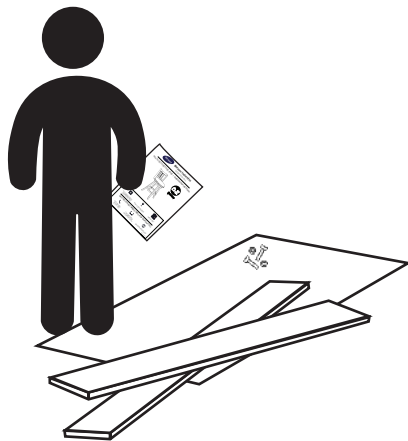
www.boraamindustries.com

# Assembly And Care

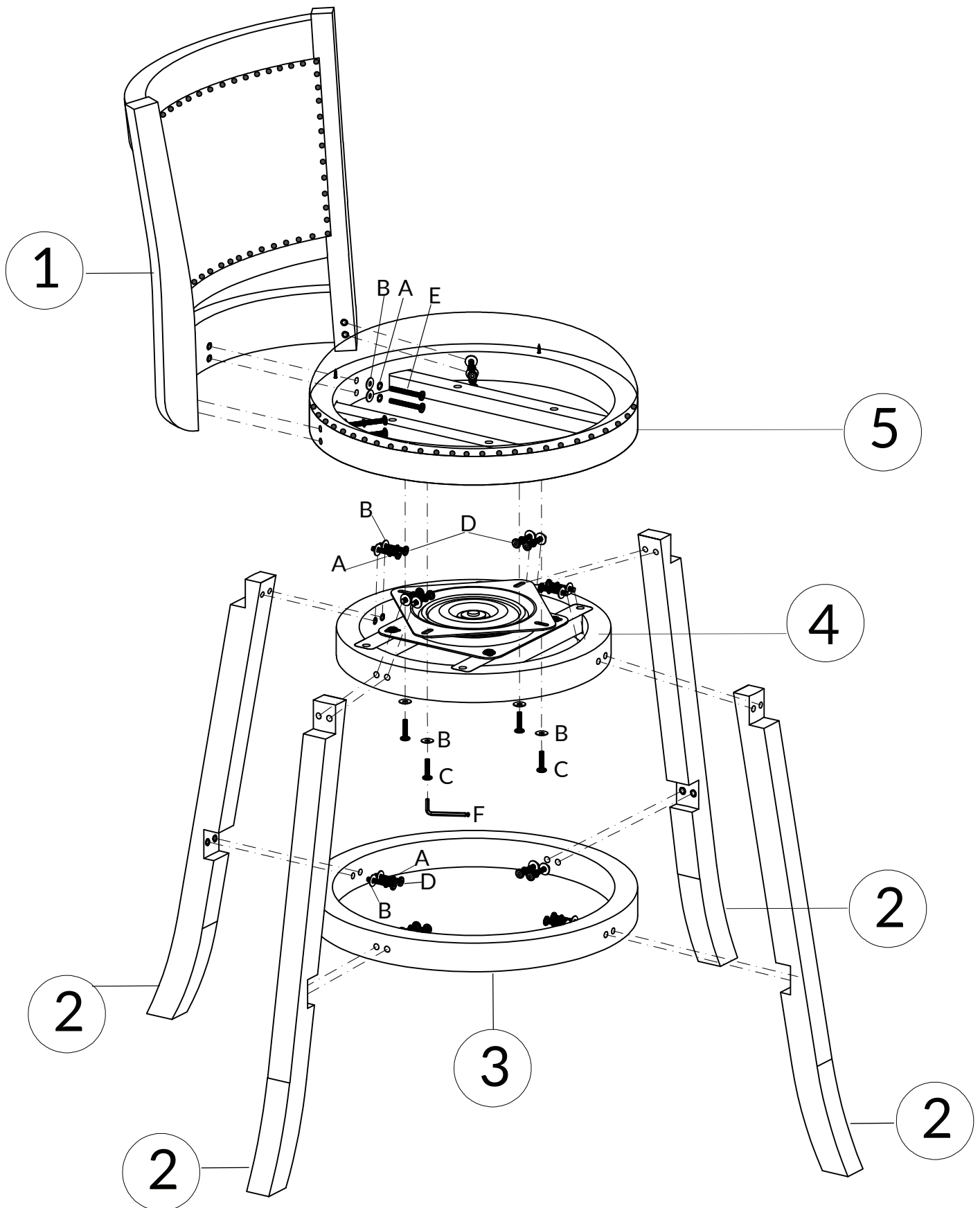
- All tools required for assembly are included unless noted.
- Prior to assembly, check for missing or damaged parts.
- Do not dispose of packing materials until assembly is completed.
- Assemble item on a soft, clean surface to prevent damage to the item.



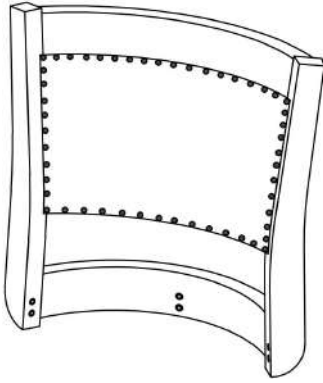
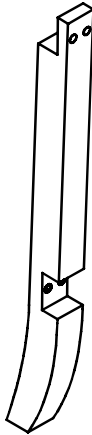
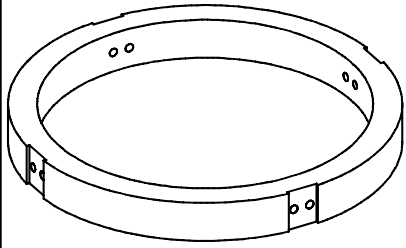
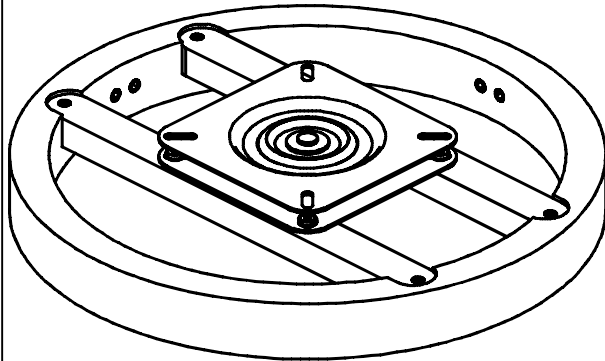
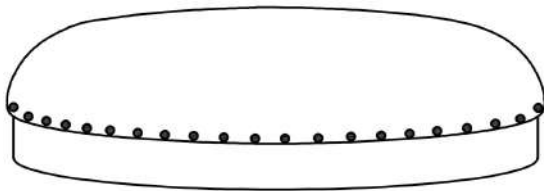
Locate the **HARDWARE PACK** which is attached to the shipping carton with red tape.



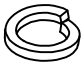
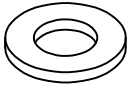
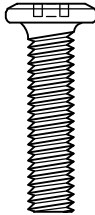
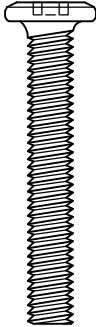
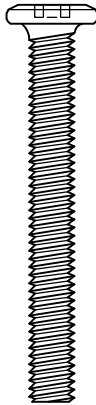

# Assembly Overview



# PARTS

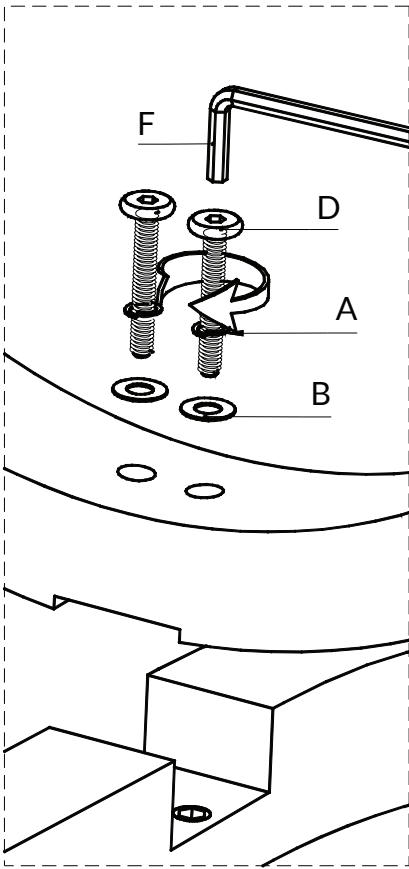
①(x1)	②(x4)	③(x1)
<b>Backrest :</b> 	<b>Legs :</b> 	<b>Footrest :</b> 
④(x1)	⑤(x1)	
<b>Apron With Swivel Plate :</b> 	<b>Seat Cushion :</b> 	

# HARDWARE

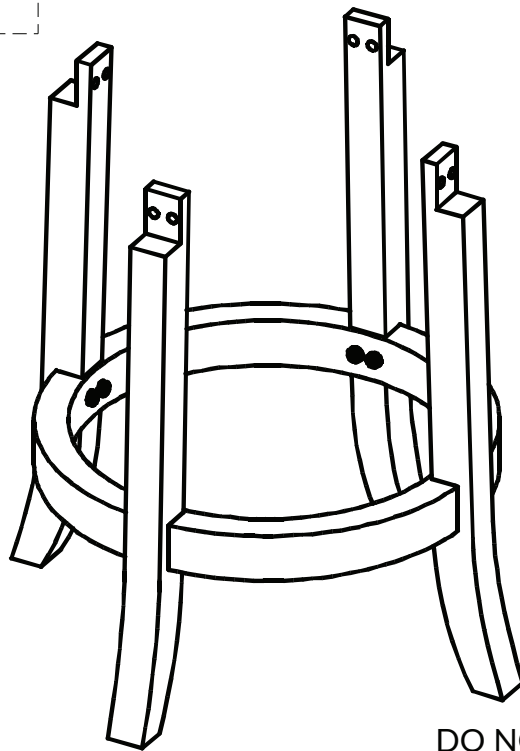
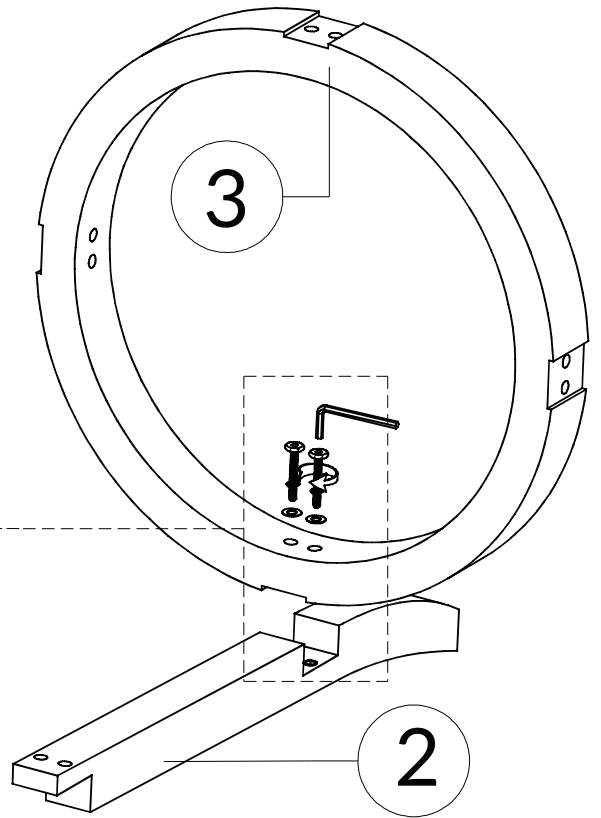
Ⓐ(x22)	Ⓑ(x26)	Ⓒ(x4)	Ⓓ(x16)	Ⓔ(x6)	Ⓕ(x1)
					
Spring Washer M6*10	Flat Washer M6*16	Bolt M6*25	Bolt M6*40	Bolt M6*50	Allen Wrench M4*110

847-949-6300 | 877-267-2261 | [customerservice@boraamindustries.com](mailto:customerservice@boraamindustries.com)

# 01



4X

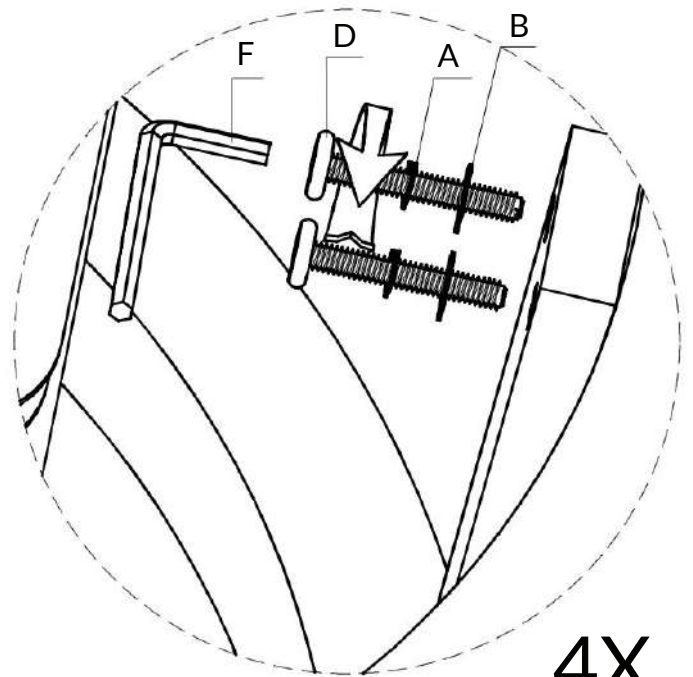
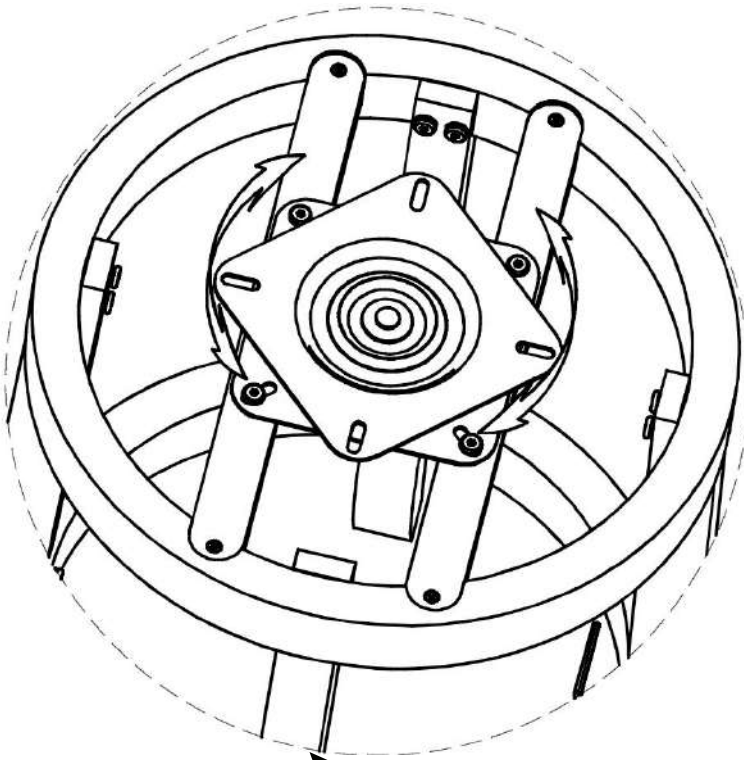


Hardware	Count
A	8
B	8
D	8
F	1

DO NOT TIGHTEN BOLT COMPLETELY.

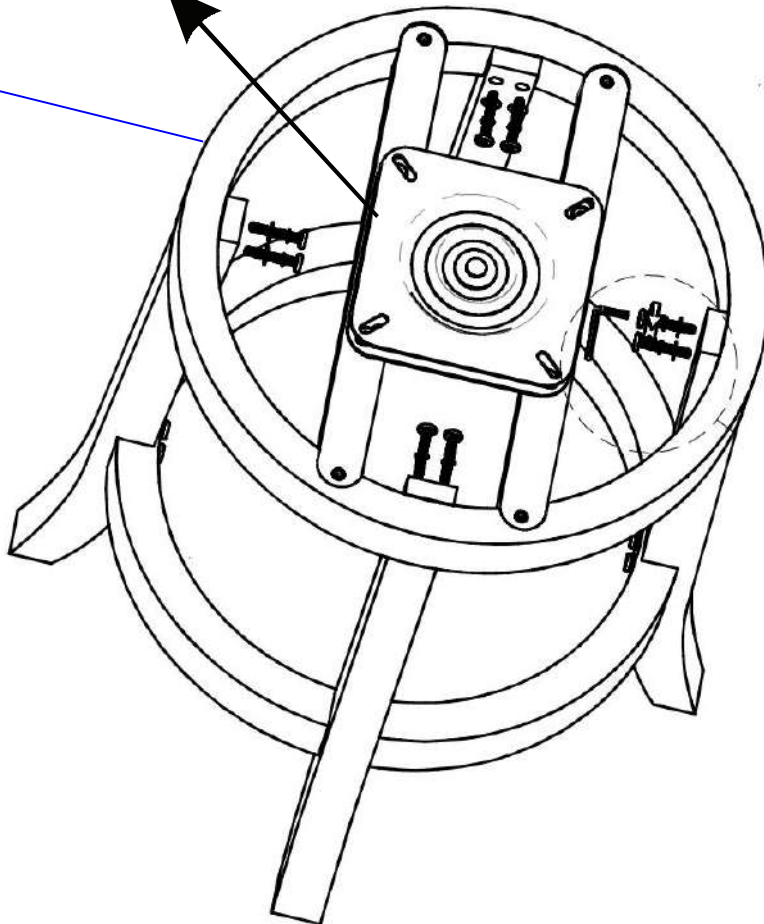
Please make sure that the protective metal kick plate from Footrest (Part #3) is facing upwards.  
Remove the white Tape from the protective metal kick plate before using.

# 02



4X

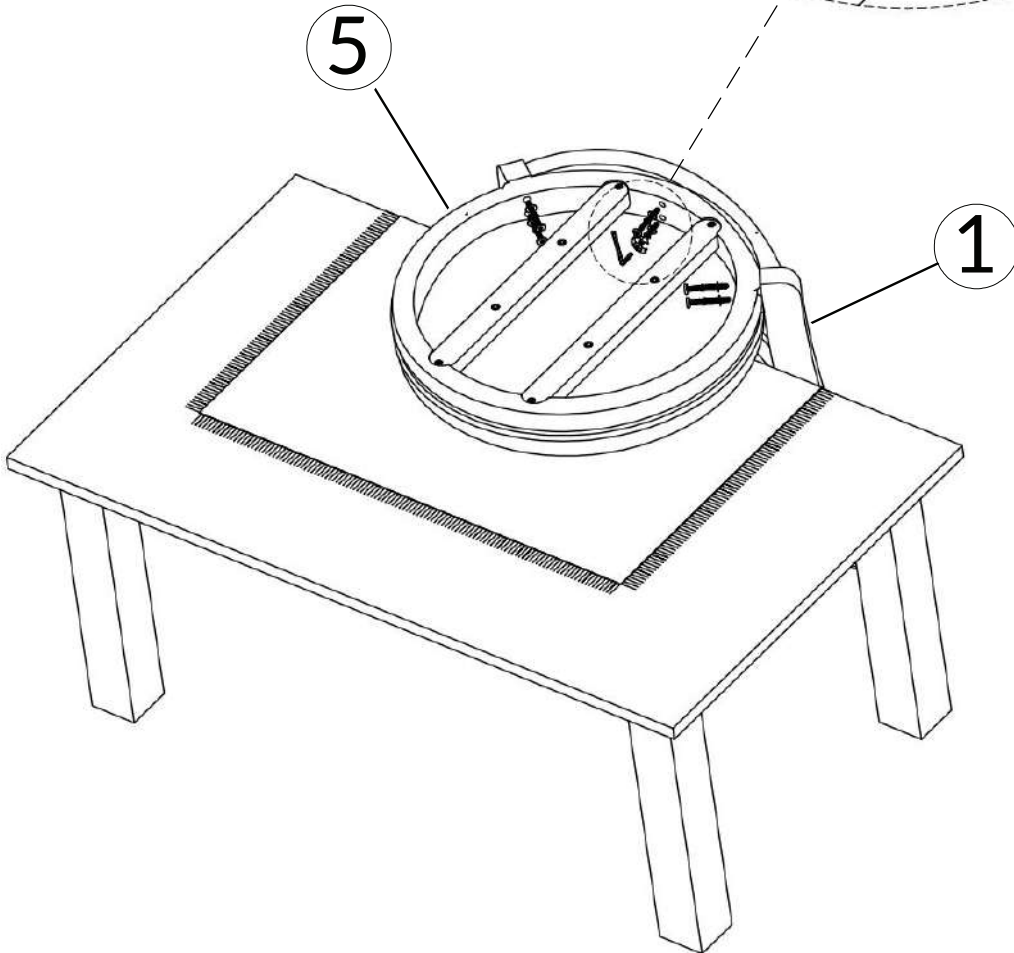
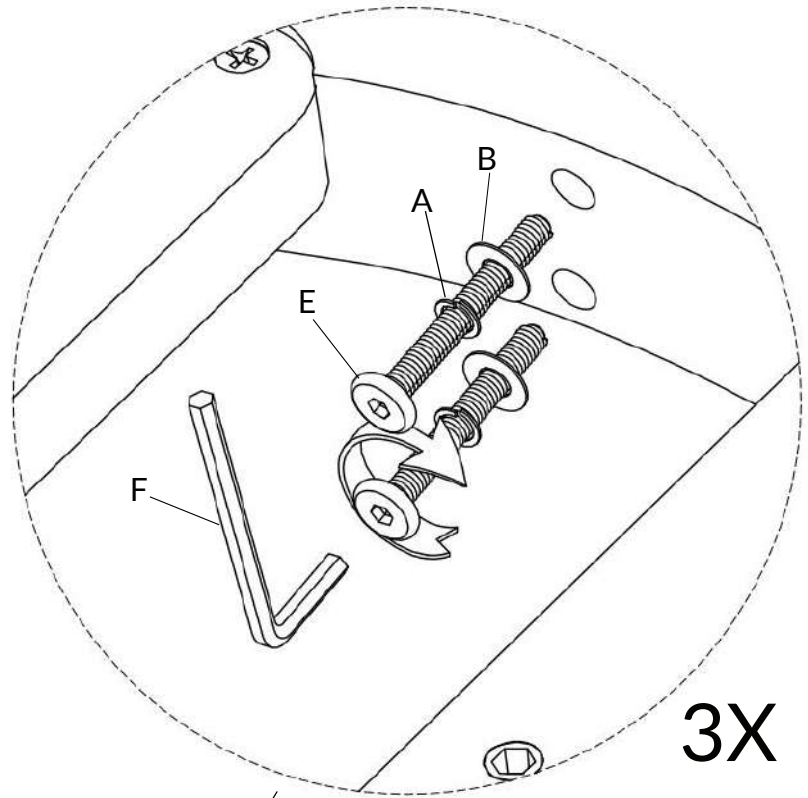
4



Hardware	Count
A	8
B	8
D	8
F	1

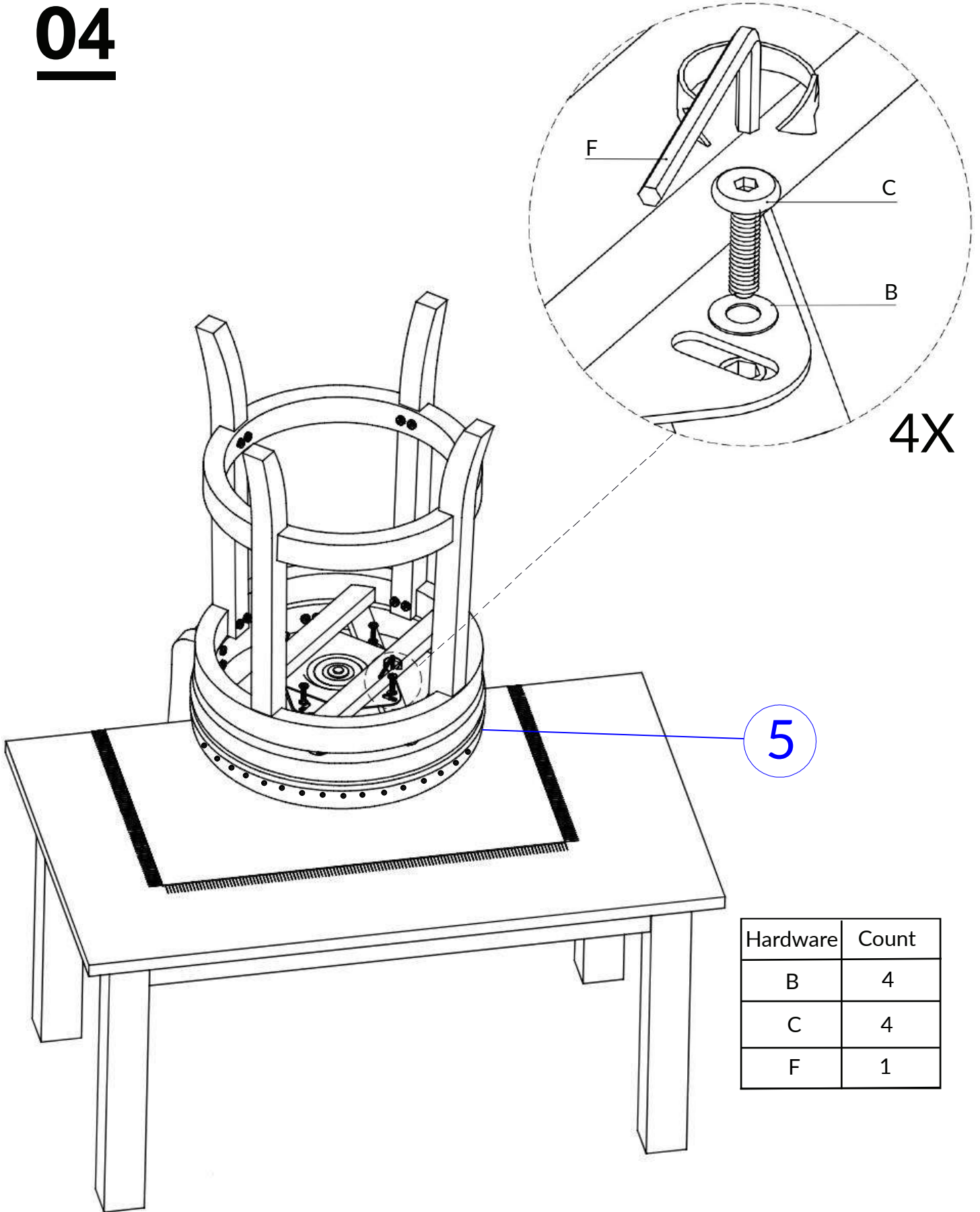
TIGHTEN BOLT COMPLETELY.

# 03



Hardware	Count
A	6
B	6
E	6
F	1

# 04



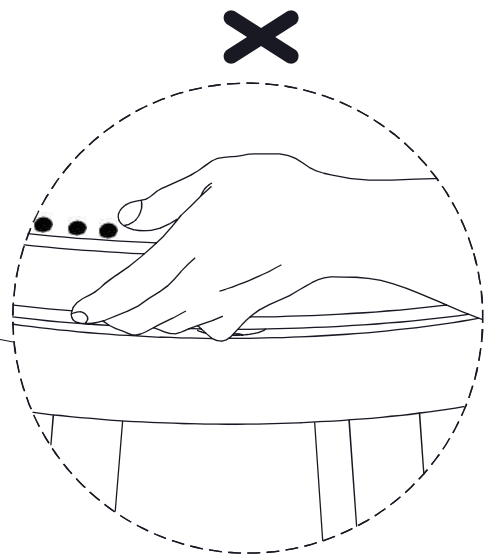
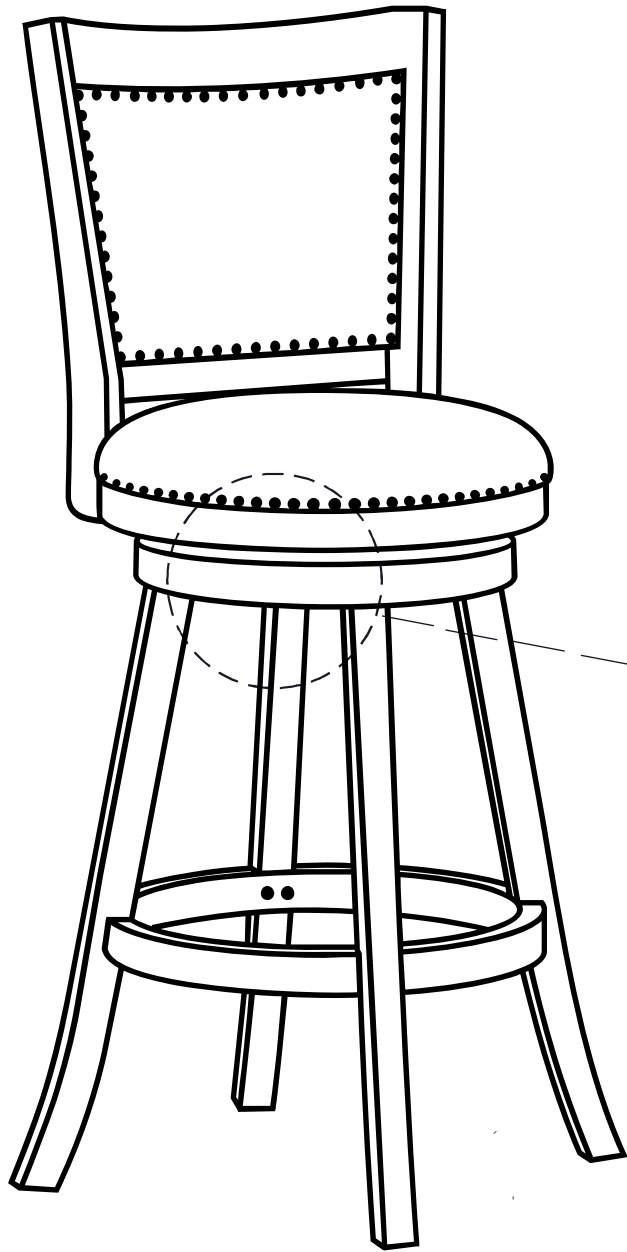
Hardware	Count
B	4
C	4
F	1

TIGHTEN BOLT COMPLETELY.





Weight Capacity



**BE SURE TO CHECK ALL BOLTS ARE SECURELY TIGHTENED PRIOR TO USE.**