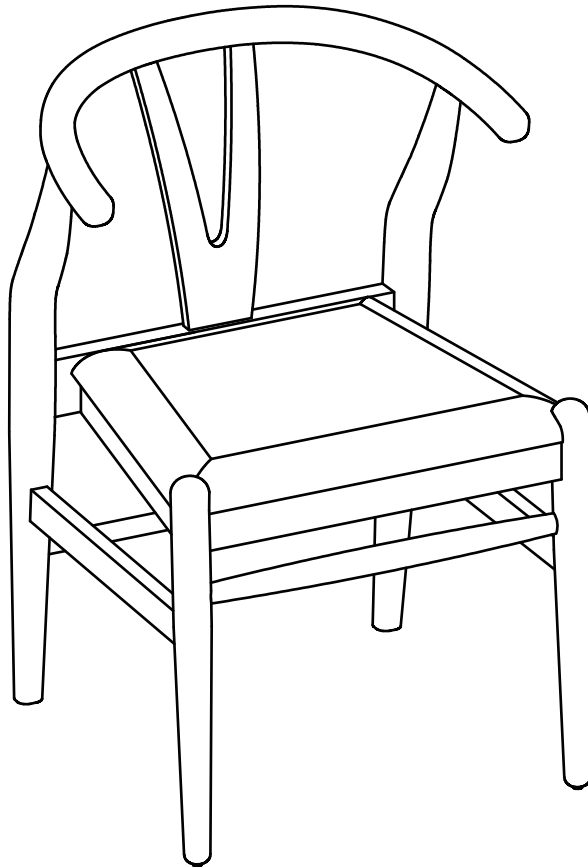




# Boraam Industries

ASSEMBLY INSTRUCTIONS

SKU: 50418 | WISHBONE DINING CHAIR



Weight Capacity



Locate the **HARDWARE PACK** which is attached to the shipping carton with red tape.

08/2024



Have questions about assembling your item?



Items or parts damaged?



Missing a part?

**We're here to help! (Monday-Friday from 9am-5pm CST)**



847-949-6300  
877-267-2261



customerservice@  
boraamindustries.com



www.boraamindustries.com



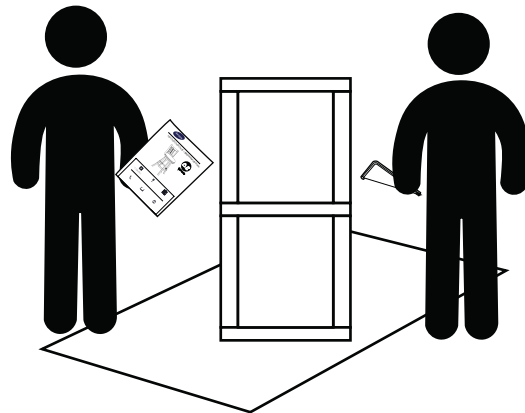
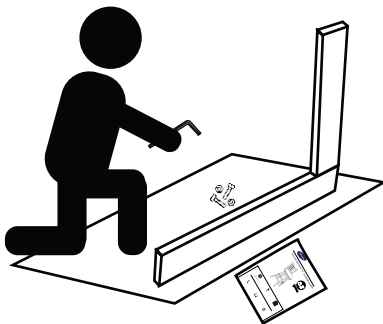
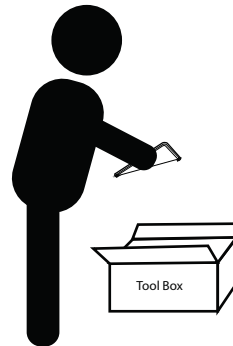
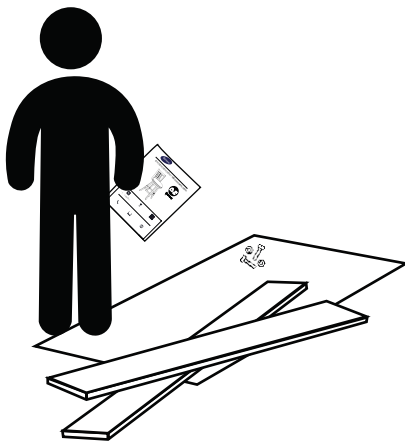
Philips screwdriver  
not included.

# Assembly And Care

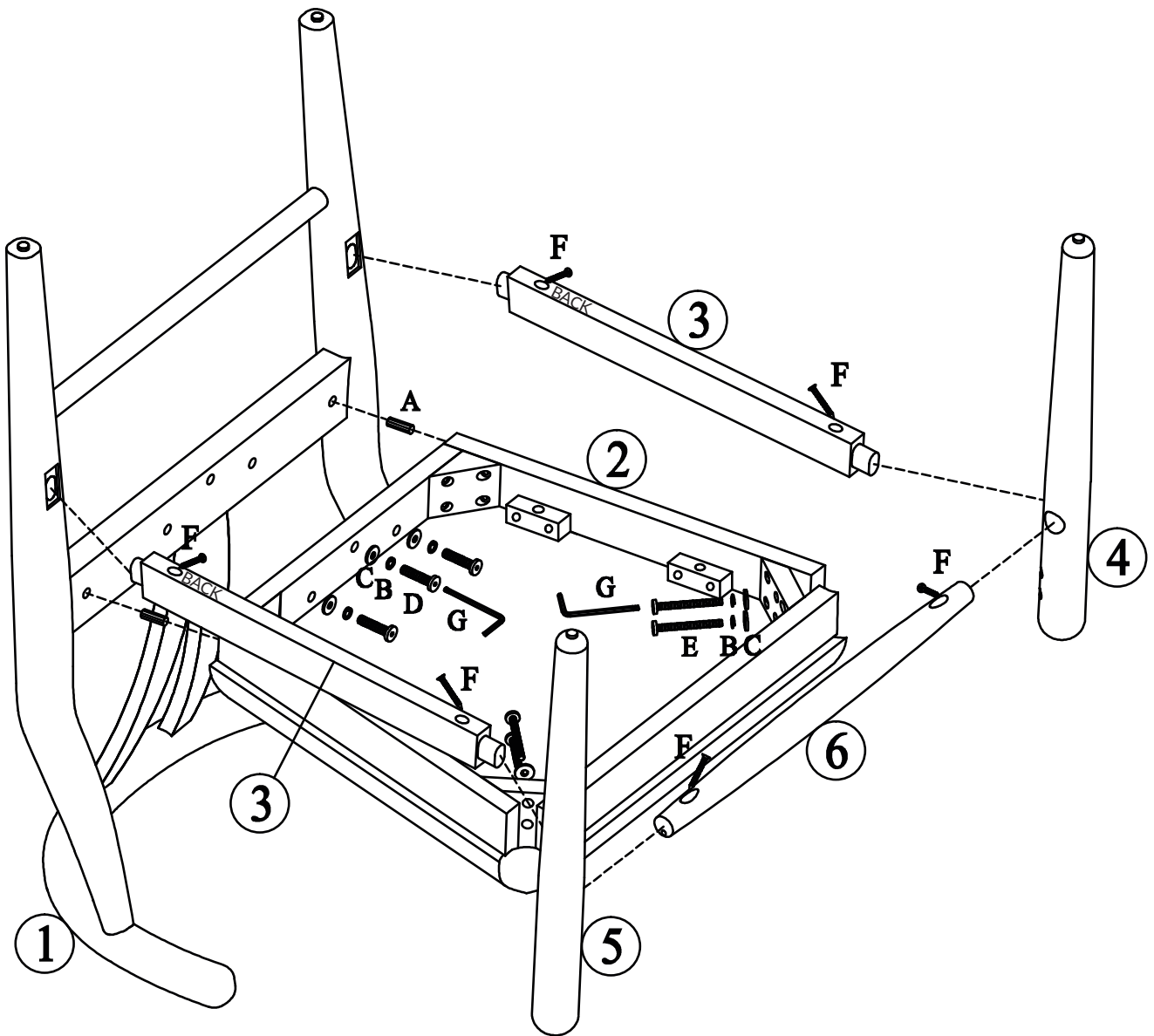
- All tools required for assembly are included unless noted.
- Prior to assembly, check for missing or damaged parts.
- Do not dispose of packing materials until assembly is completed.
- Assemble item on a soft, clean surface to prevent damage to the item.



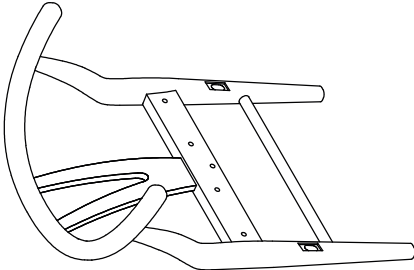
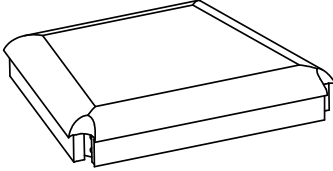




Locate the  
**HARDWARE PACK**  
which is attached to the  
shipping carton with red  
tape.



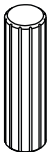

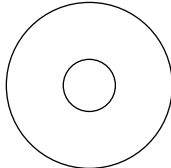
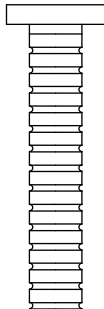
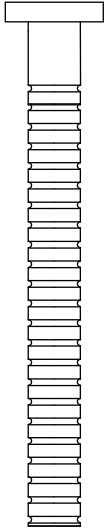
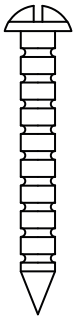
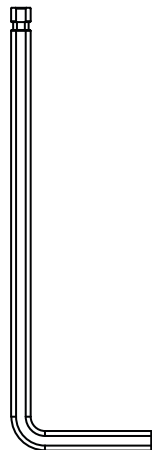
# Assembly Overview



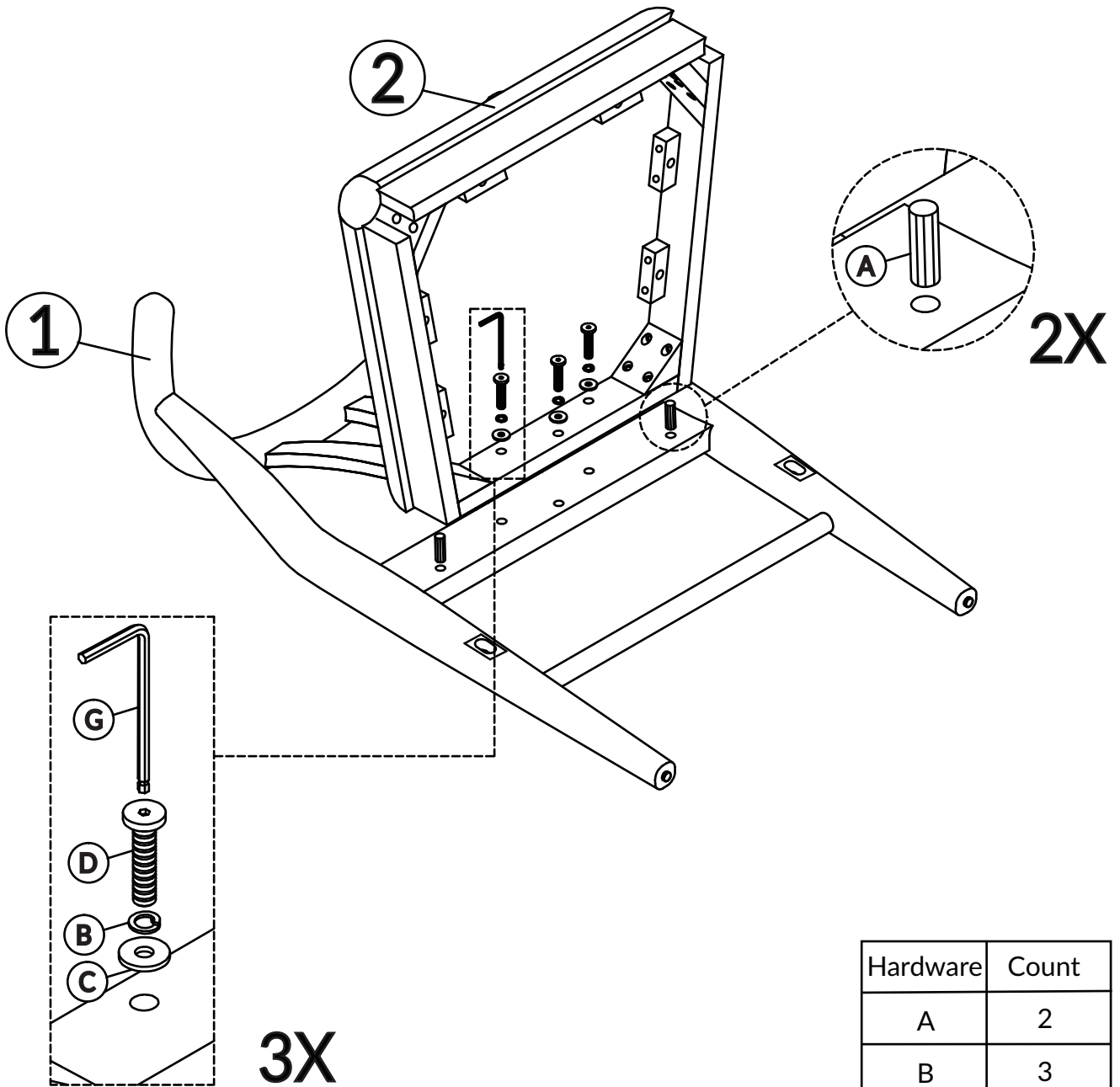
# PARTS

① (x1)		② (x1)	
<b>Chair Back:</b> 		<b>Seat Frame:</b> 	
③ (x2)	④ (x1)	⑤ (x1)	⑥ (x1)
<b>Side Stretcher</b> 	<b>Leg-Left:</b> 	<b>Leg-Right:</b> 	<b>Footrest:</b> 

# HARDWARE

Ⓐ (x2)	Ⓑ (x7)	Ⓒ (x7)	Ⓓ (x3)	Ⓔ (x4)	Ⓕ (x6)	Ⓖ (x1)
						
Wooden Dowel	Spring Washer	Flat Washer	Bolt M6x35	Bolt M6x60	Screw M4x35	Allen Wrench

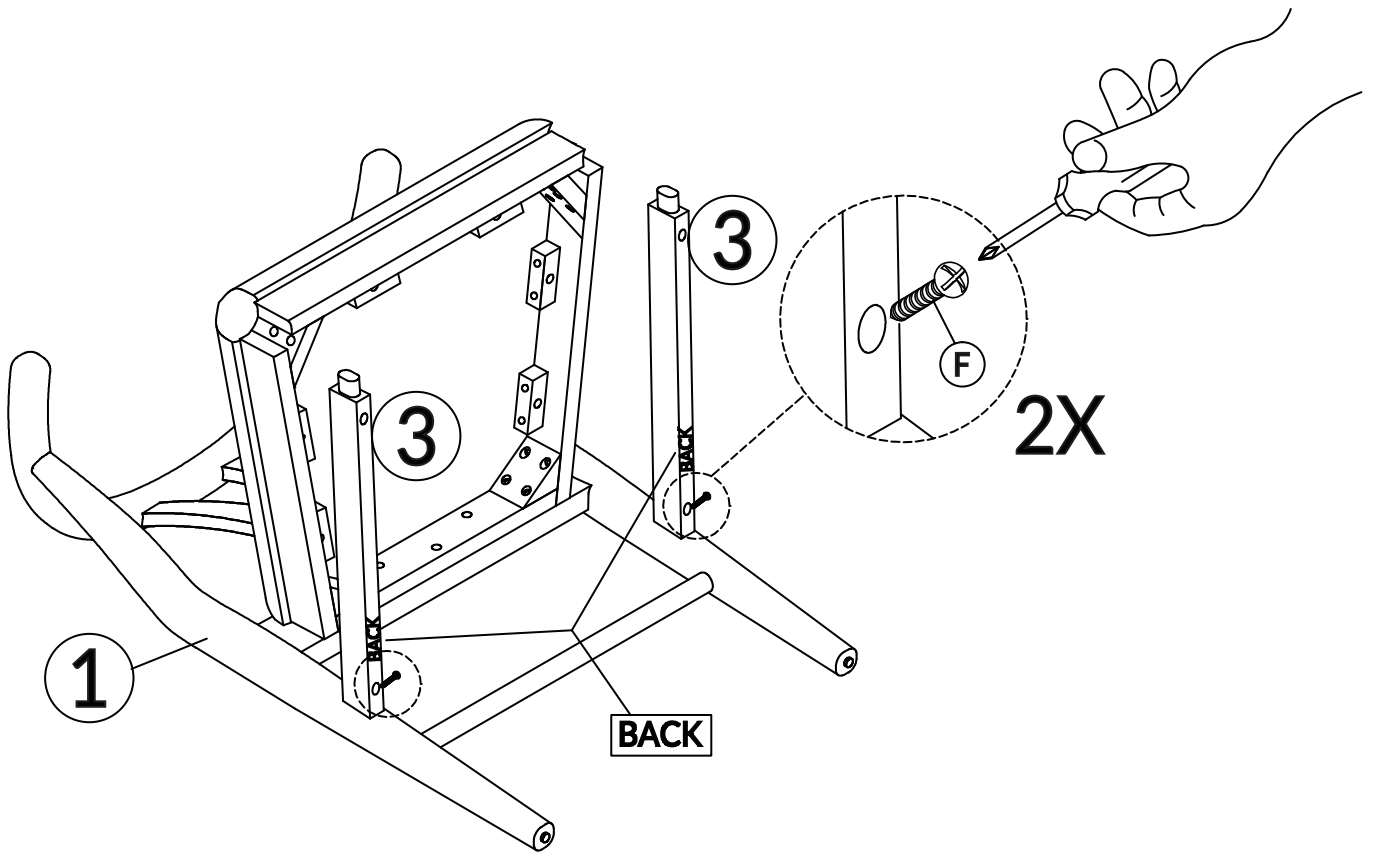
# 01



Hardware	Count
A	2
B	3
C	3
D	3
G	1

DO NOT TIGHTEN BOLT COMPLETELY.

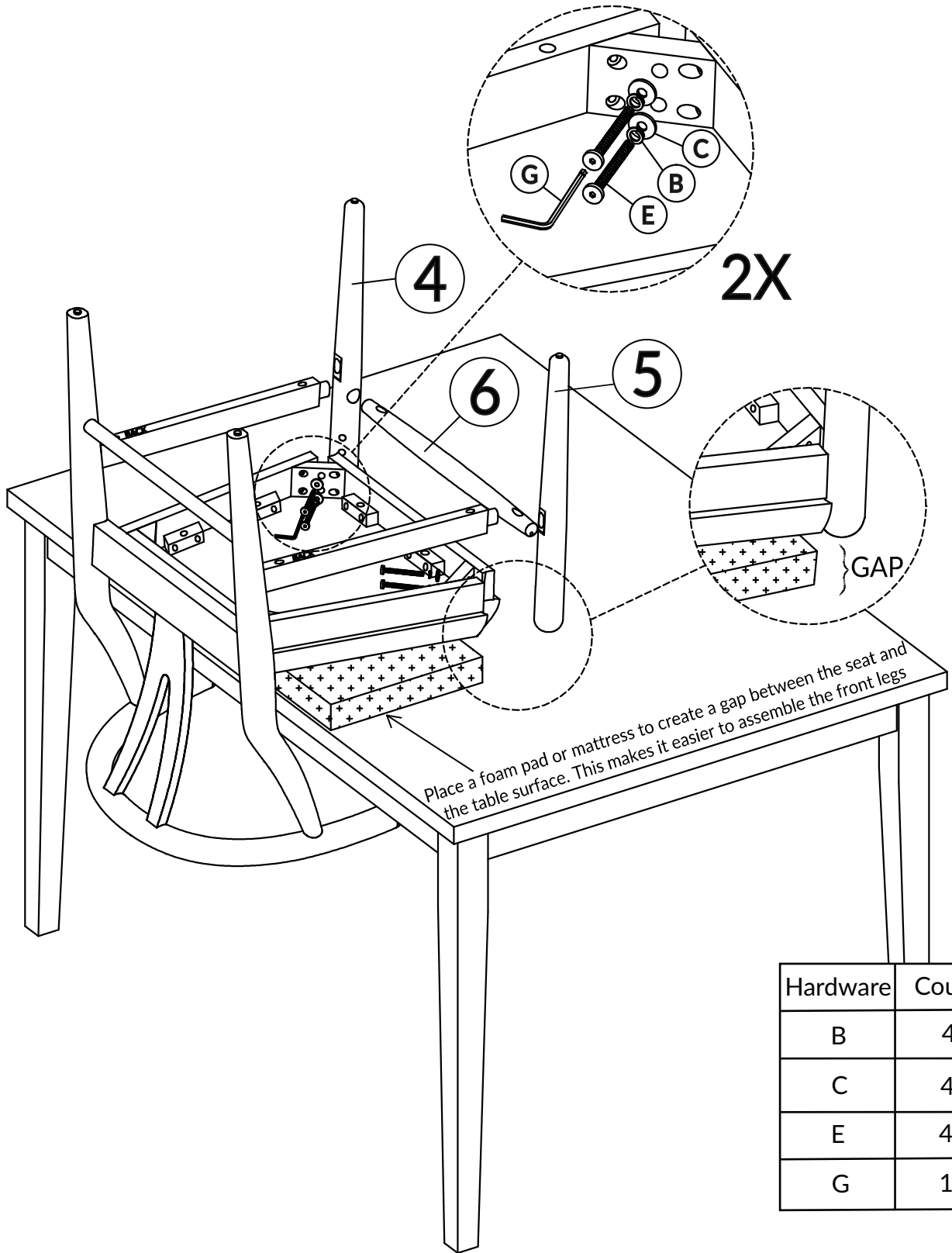
# 02



Hardware	Count
F	2

DO NOT TIGHTEN SCREW COMPLETELY.

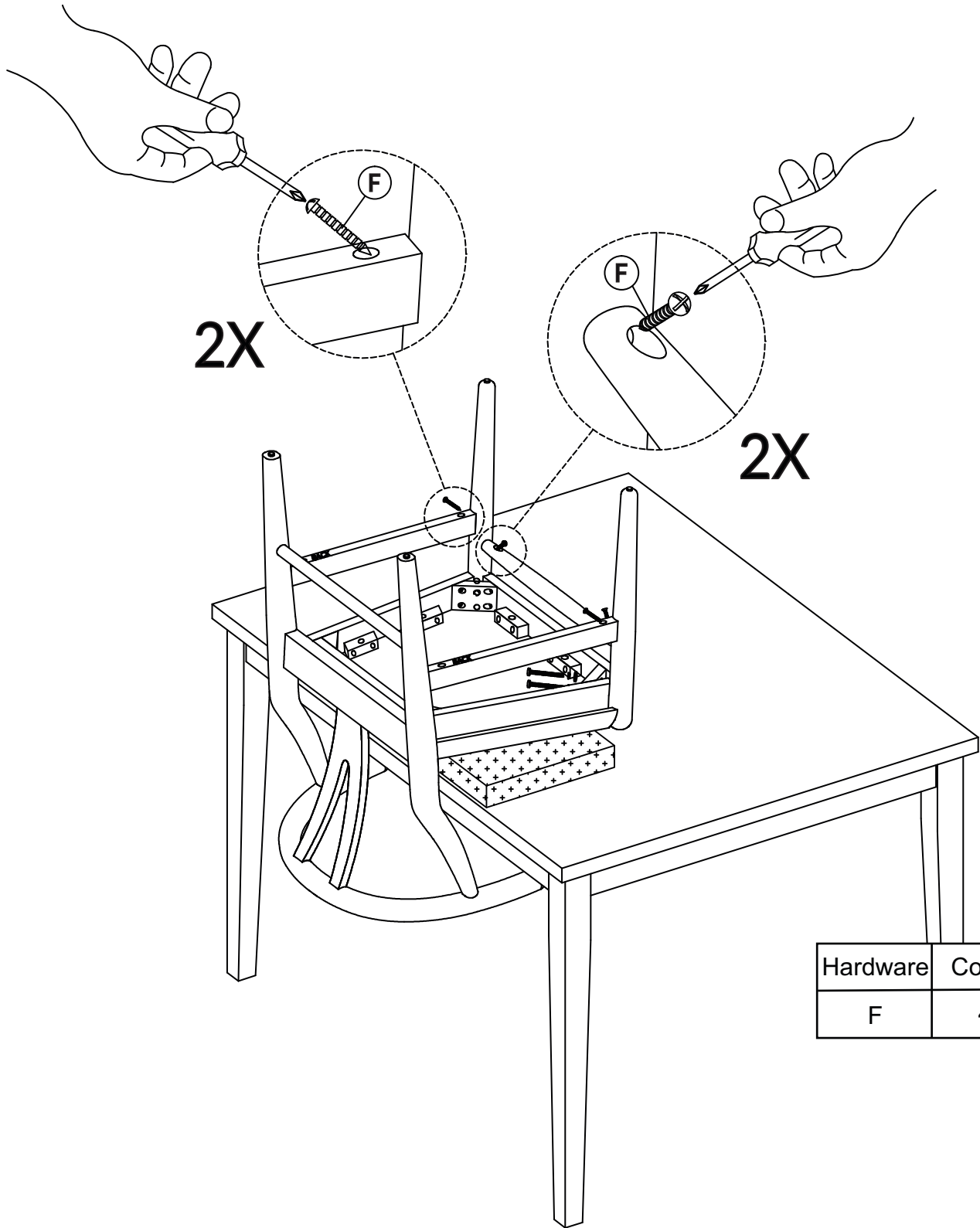
# 03



Hardware	Count
B	4
C	4
E	4
G	1

DO NOT TIGHTEN BOLT COMPLETELY.

# 04



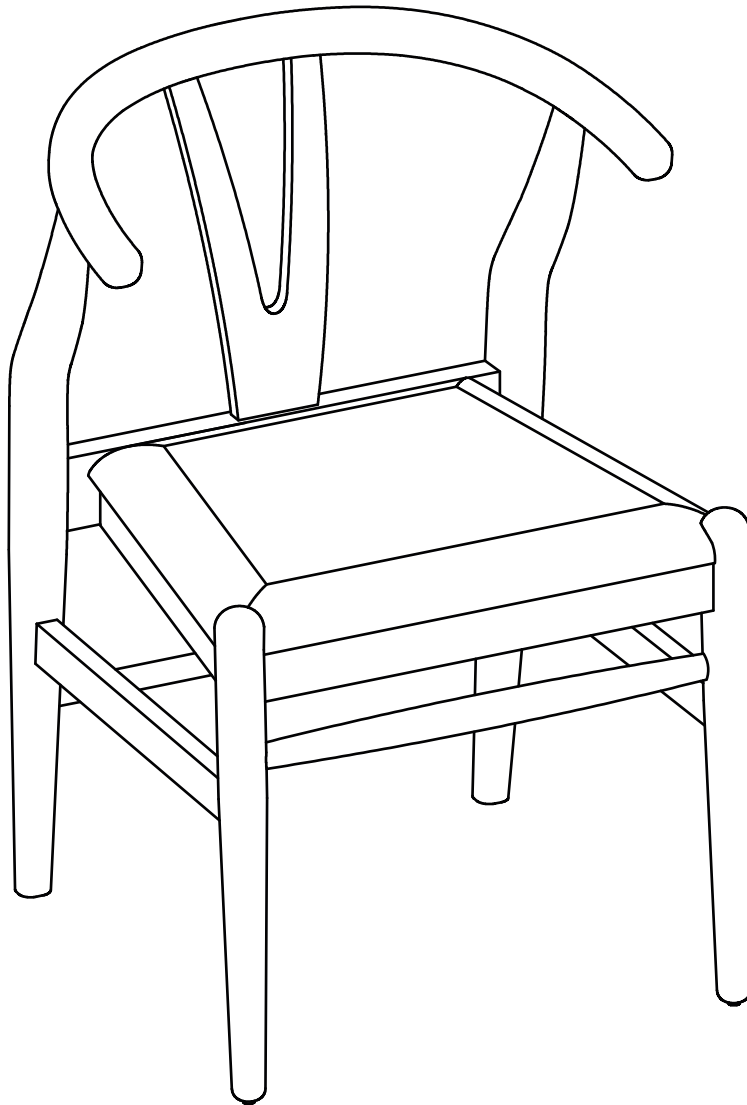
Hardware	Count
F	4

TIGHTEN BOLT AND SCREW COMPLETELY.





**Weight Capacity**



**BE SURE TO CHECK ALL BOLTS ARE SECURELY TIGHTENED PRIOR TO USE.**

847-949-6300 | 877-267-2261 | [customerservice@boraamindustries.com](mailto:customerservice@boraamindustries.com)