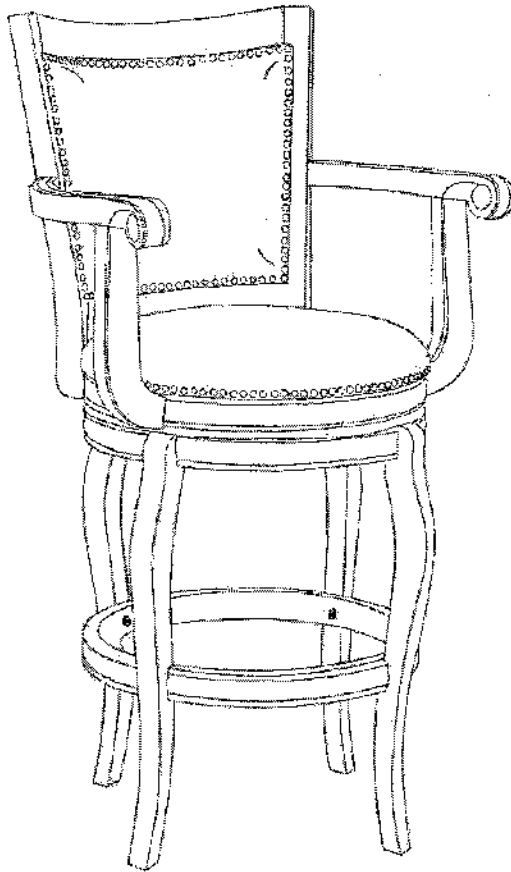




# Boraam Industries

ASSEMBLY INSTRUCTIONS

SKU: 52234 | JONES SWIVEL EXTRA TALL BARSTOOL



Weight Capacity



Locate the **HARDWARE PACK** which is attached to the shipping carton with red tape.

02/2024



Have questions about assembling your item?



Items or parts damaged?



Missing a part?

**We're here to help! (Monday-Friday from 9am-5pm CST)**



847-949-6300  
877-267-2261



customerservice@  
boraamindustries.com



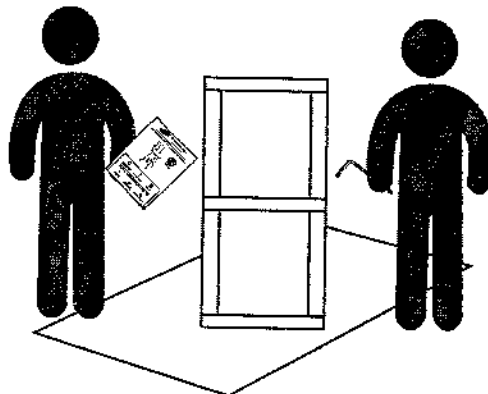
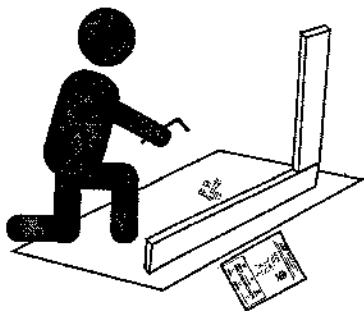
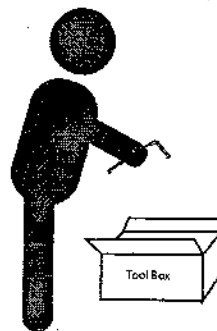
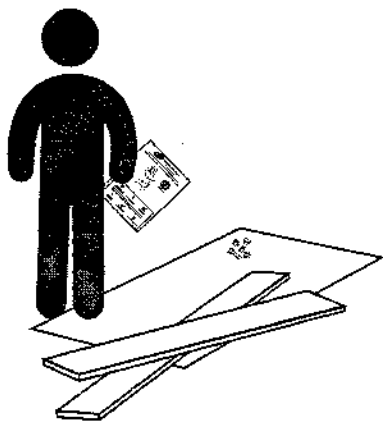
www.boraamindustries.com

# Assembly And Care

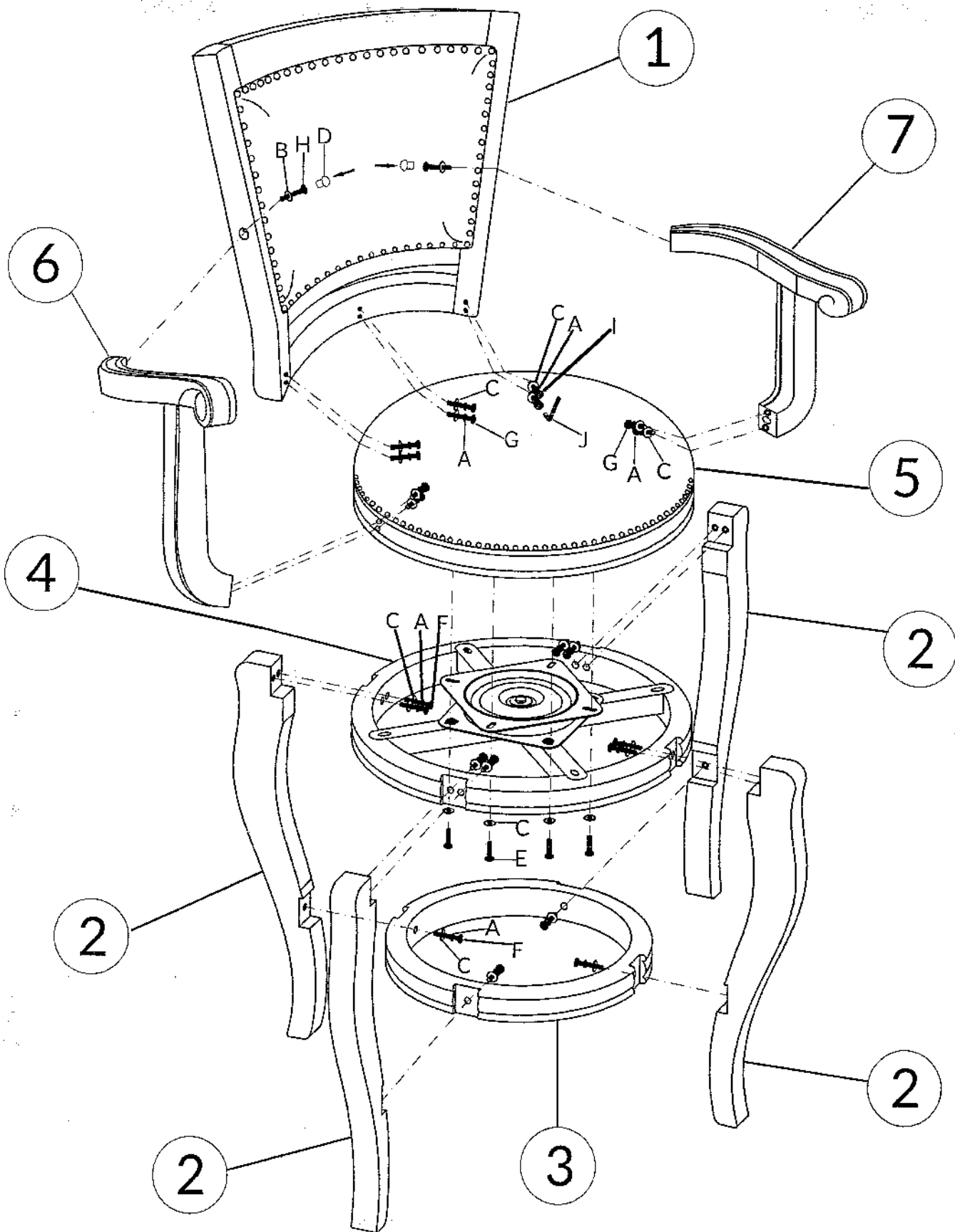
- All tools required for assembly are included unless noted.
- Prior to assembly, check for missing or damaged parts.
- Do not dispose of packing materials until assembly is completed.
- Assemble item on a soft, clean surface to prevent damage to the item.



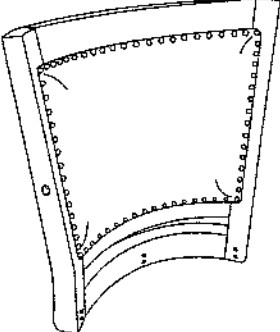

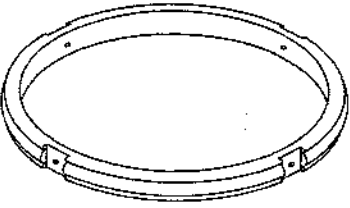
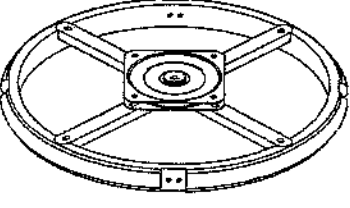
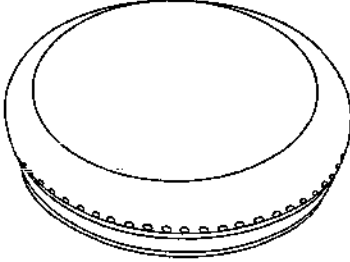
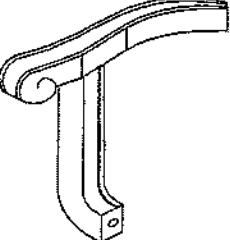
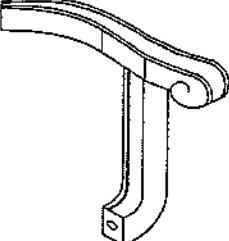
Locate the **HARDWARE PACK** which is attached to the shipping carton with red tape.







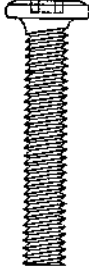
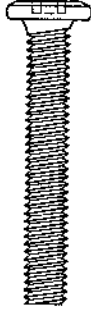
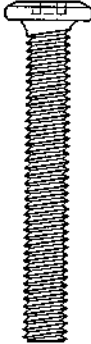
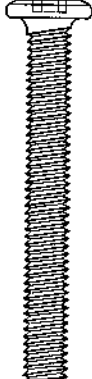
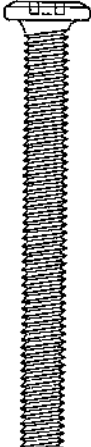

# Assembly Overview



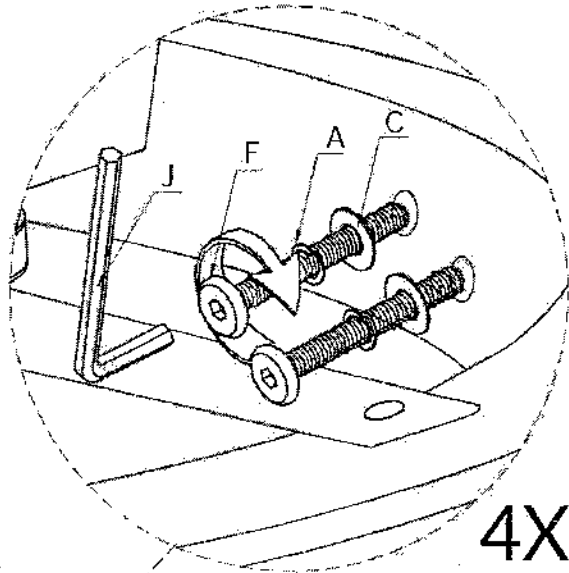
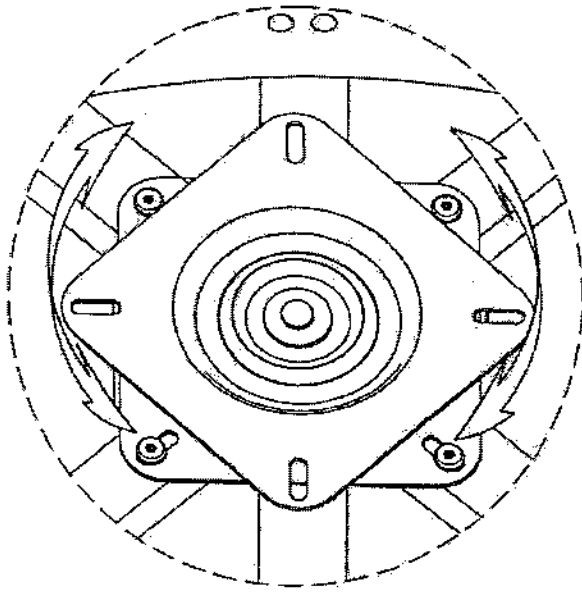
# PARTS

<p>①(x1)</p>	<p>②(x4)</p>
<p>Backrest :</p> 	<p>Legs :</p> 
<p>③(x1)</p>	
<p>Footrest :</p> 	
<p>④(x1)</p>	<p>⑤(x1)</p>
<p>Apron With Swivel Plate :</p> 	<p>Seat Cushion :</p> 
<p>⑥(x1)</p>	<p>⑦(x1)</p>
<p>Left Armchair:</p> 	<p>Right Armchair:</p> 

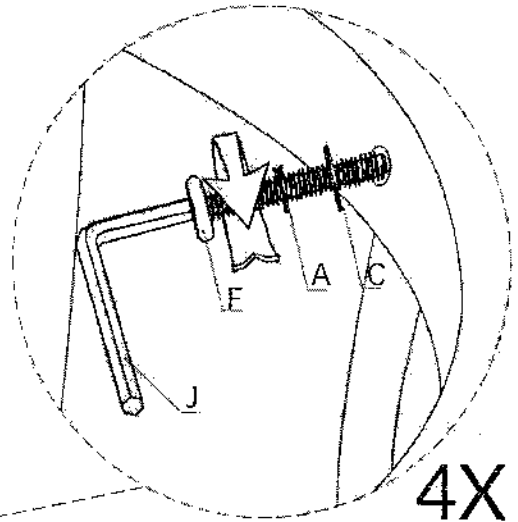
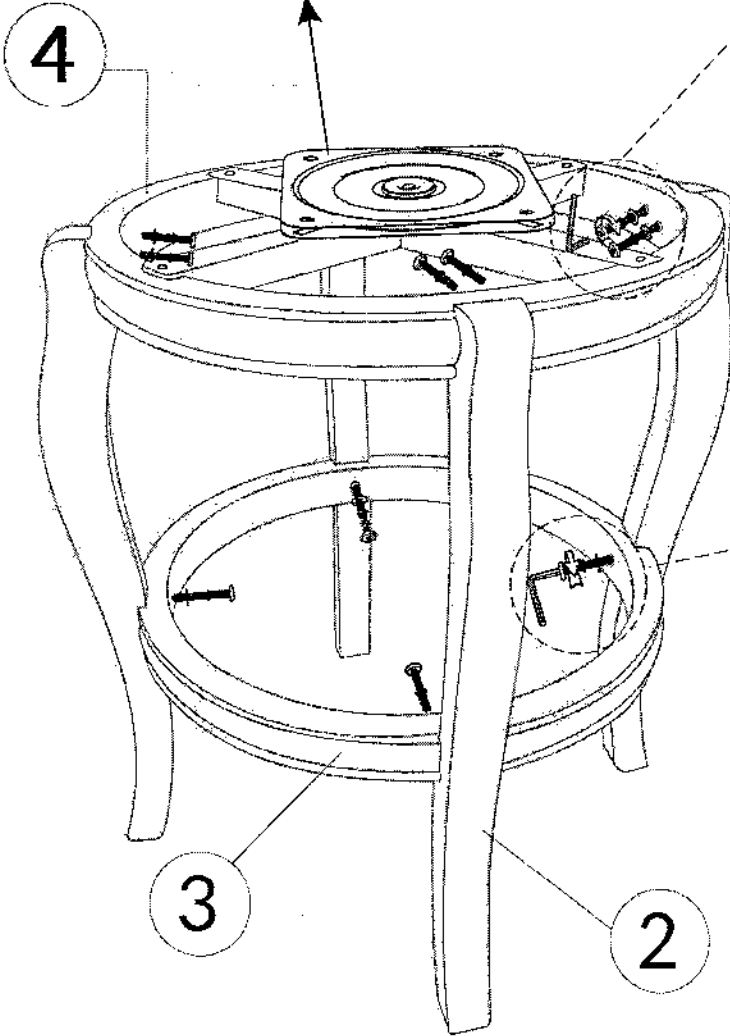
# HARDWARE

Ⓐ(x22)	Ⓑ(x2)	Ⓒ(x26)	Ⓓ(x2)	Ⓔ(x4)
				
<p>Spring Washer M6*10</p>	<p>Flat Washer M6*13</p>	<p>Flat Washer M6*16</p>	<p>Wood Button Ø7.5x15.5</p>	<p>Bolt M6*35</p>
Ⓕ(x12)	Ⓖ(x6)	Ⓗ(x2)	Ⓘ(x4)	Ⓝ(x1)
				
<p>Bolt M6*40</p>	<p>Bolt M6*45</p>	<p>Bolt M6*50</p>	<p>Bolt M6*60</p>	<p>Allen Wrench M4*110</p>

# 01



4X

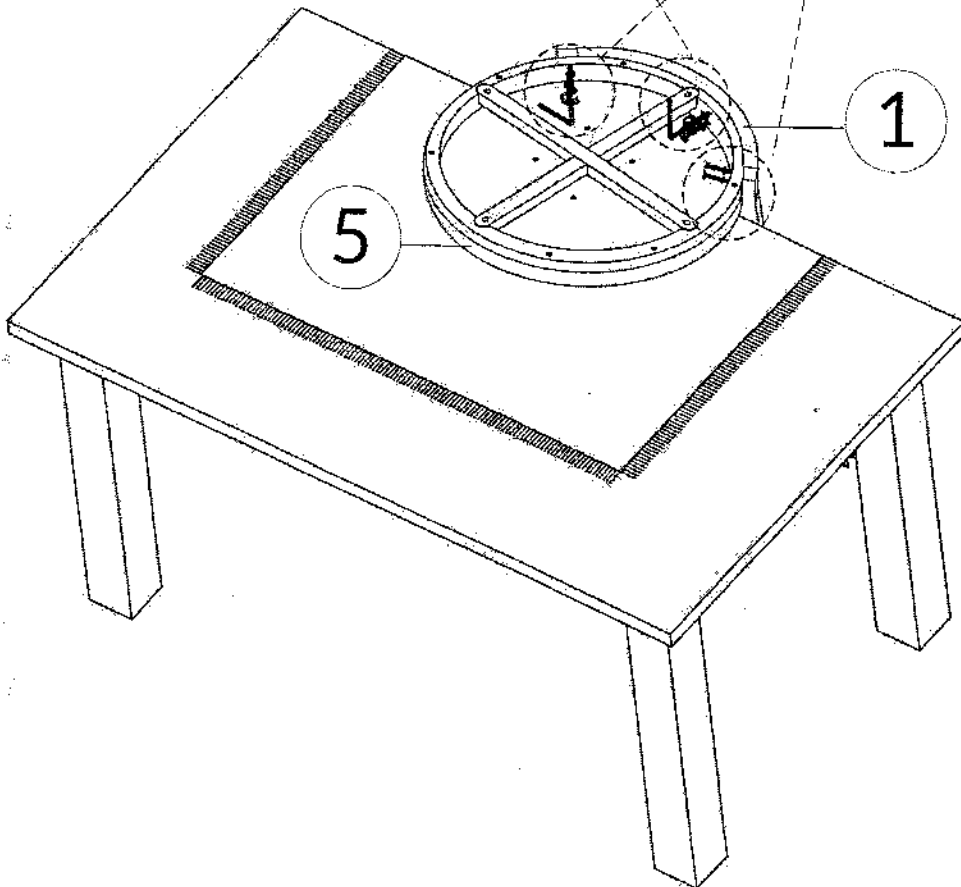
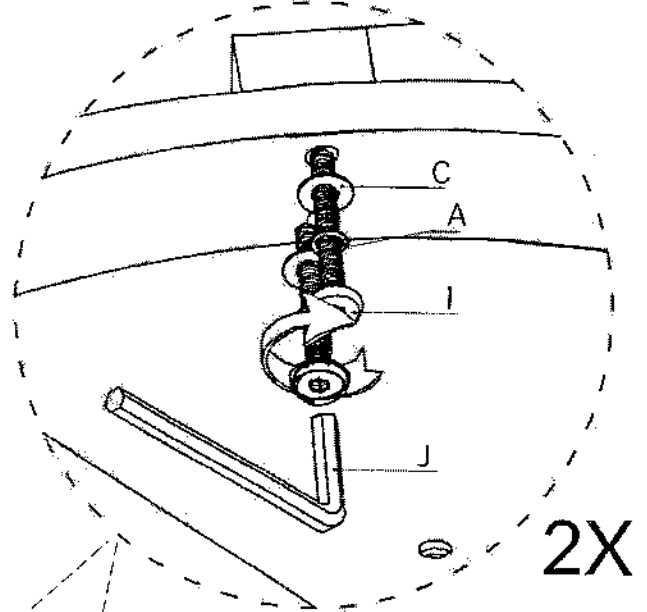
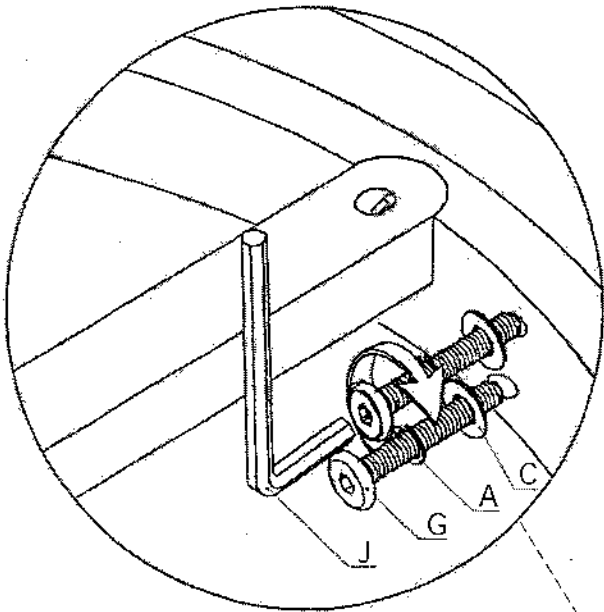


4X

Hardware	Count
A	12
C	12
F	12
J	1

DO NOT TIGHTEN BOLT COMPLETELY

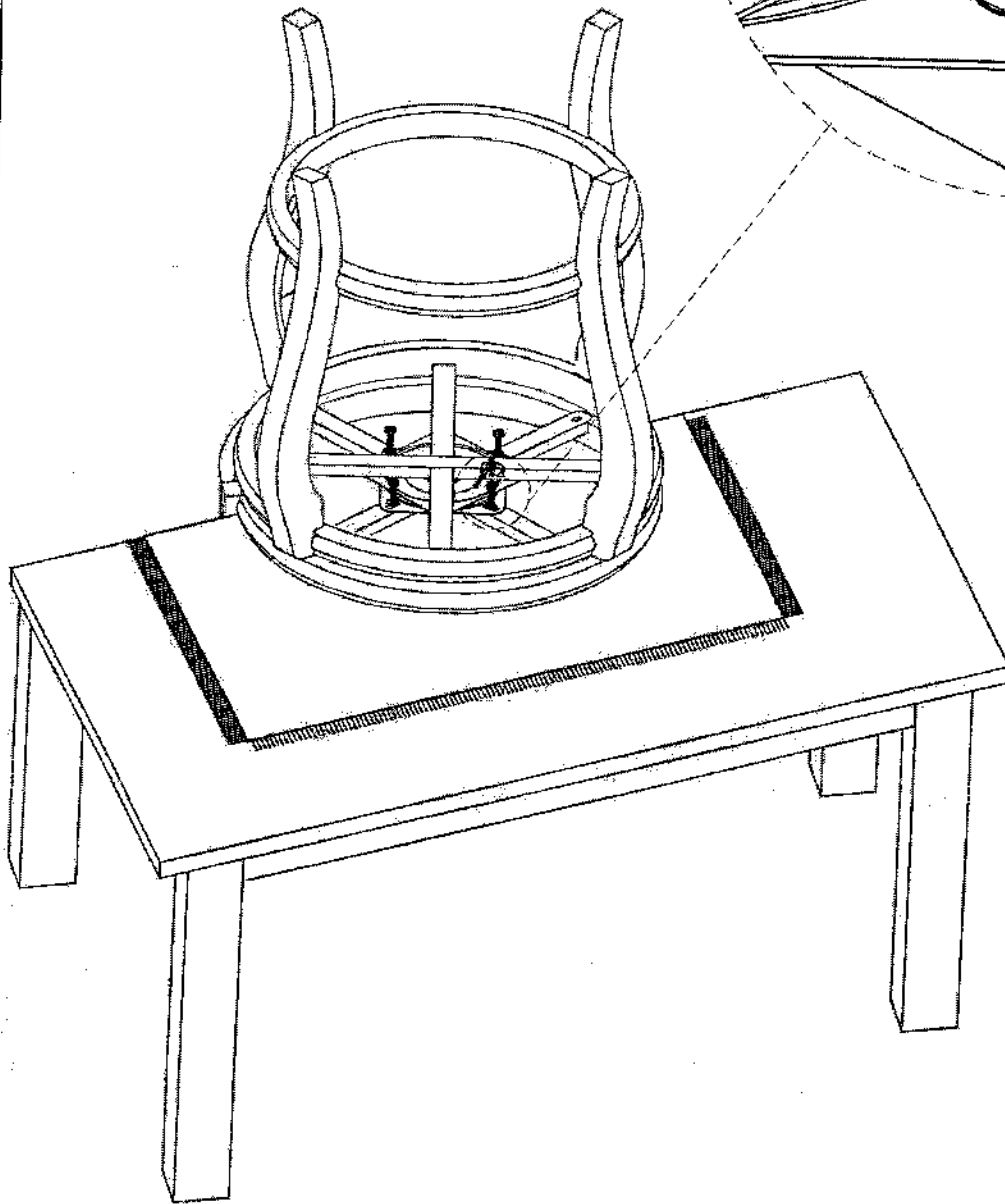
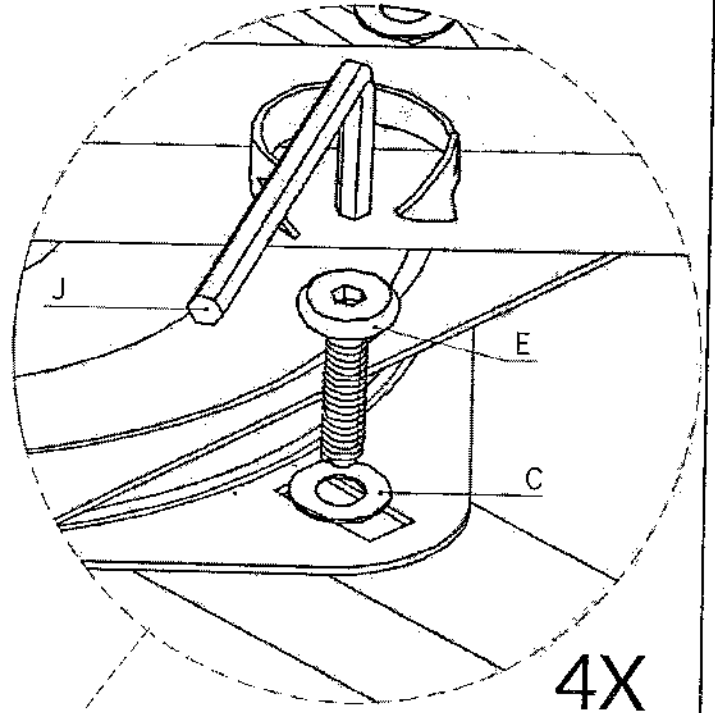
# 02



Hardware	Count
A	6
C	6
G	2
I	4
J	1

TIGHTEN BOLT COMPLETELY.

**03**

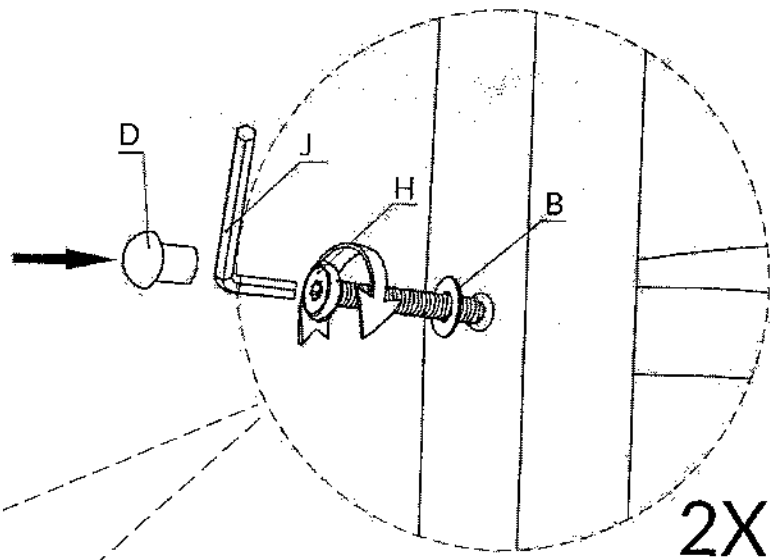


Hardware	Count
C	4
E	4
J	1

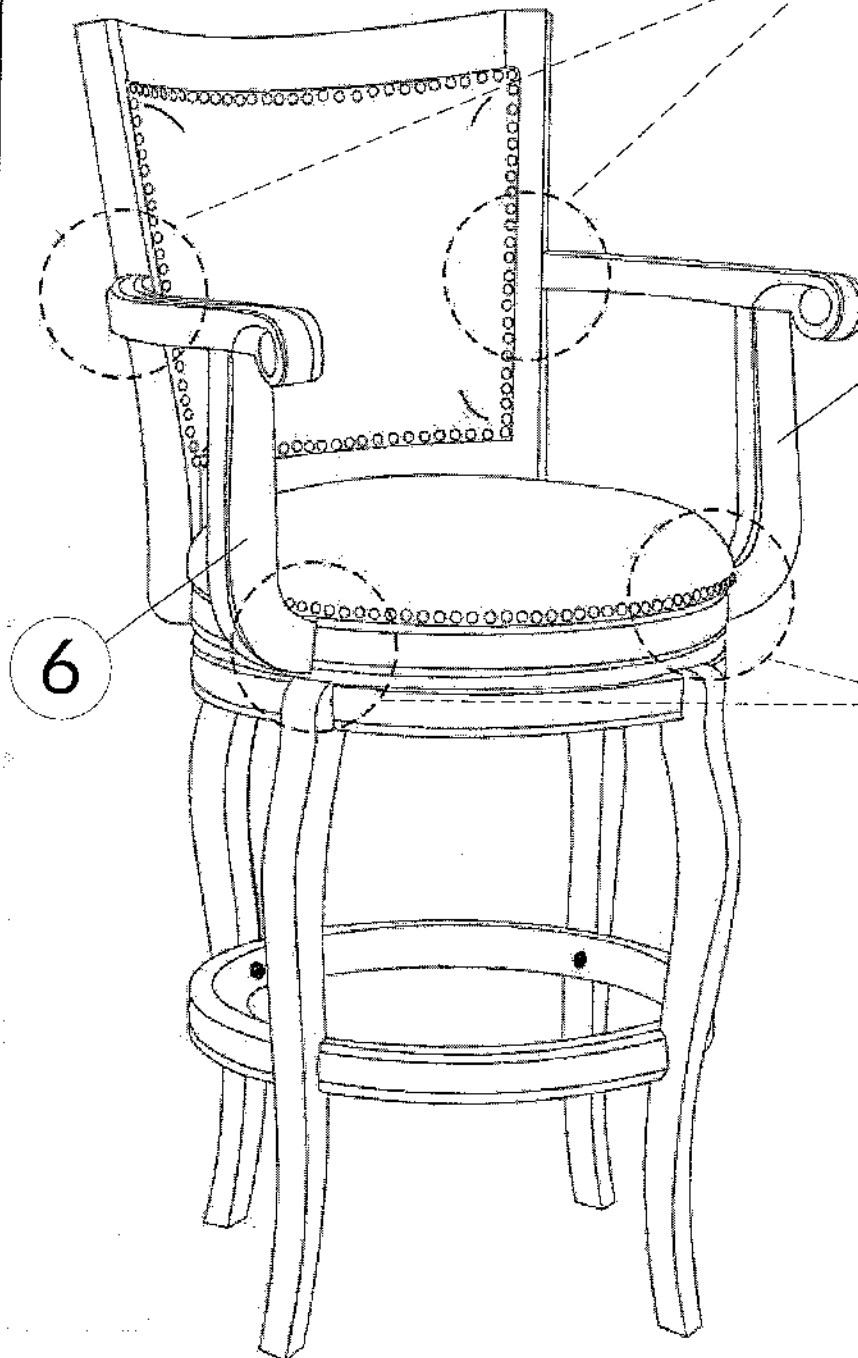
TIGHTEN BOLT COMPLETELY.



# 04

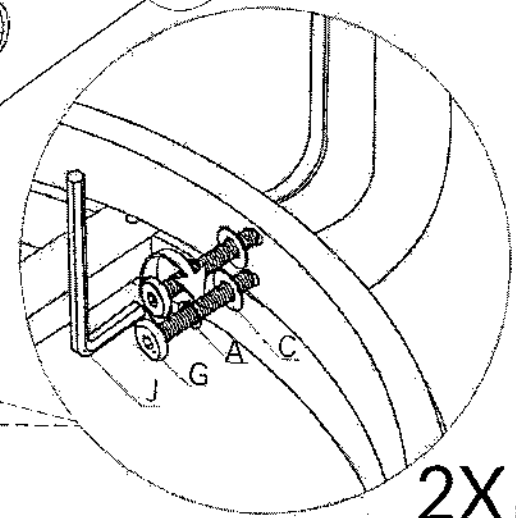


2X



6

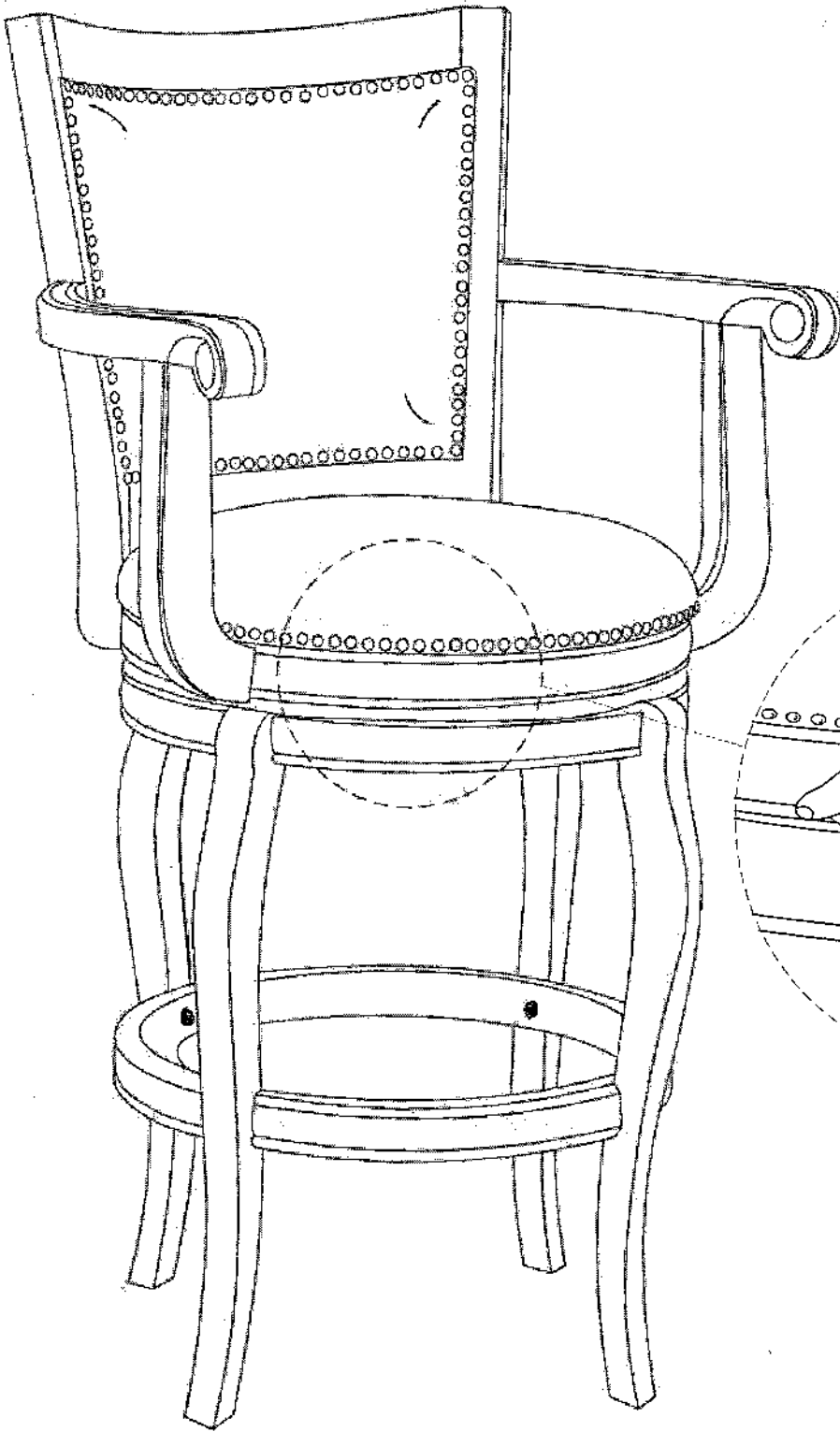
7



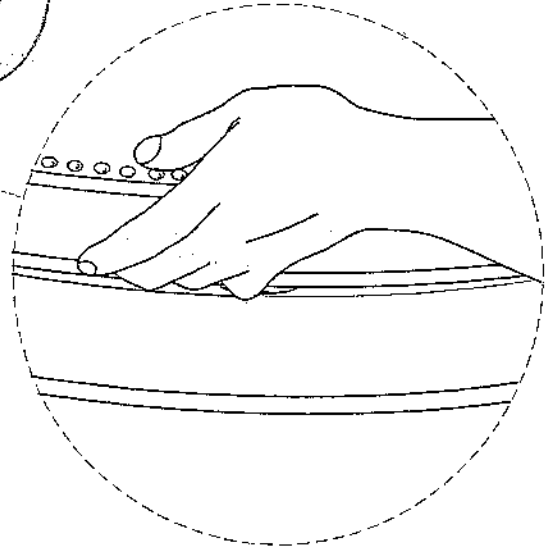
2X

Hardware	Count
A	4
B	2
C	4
D	2
G	4
H	2
J	1

TIGHTEN BOLT COMPLETELY.



Weight Capacity



BE SURE TO CHECK ALL BOLTS ARE SECURELY TIGHTENED PRIOR TO USE.