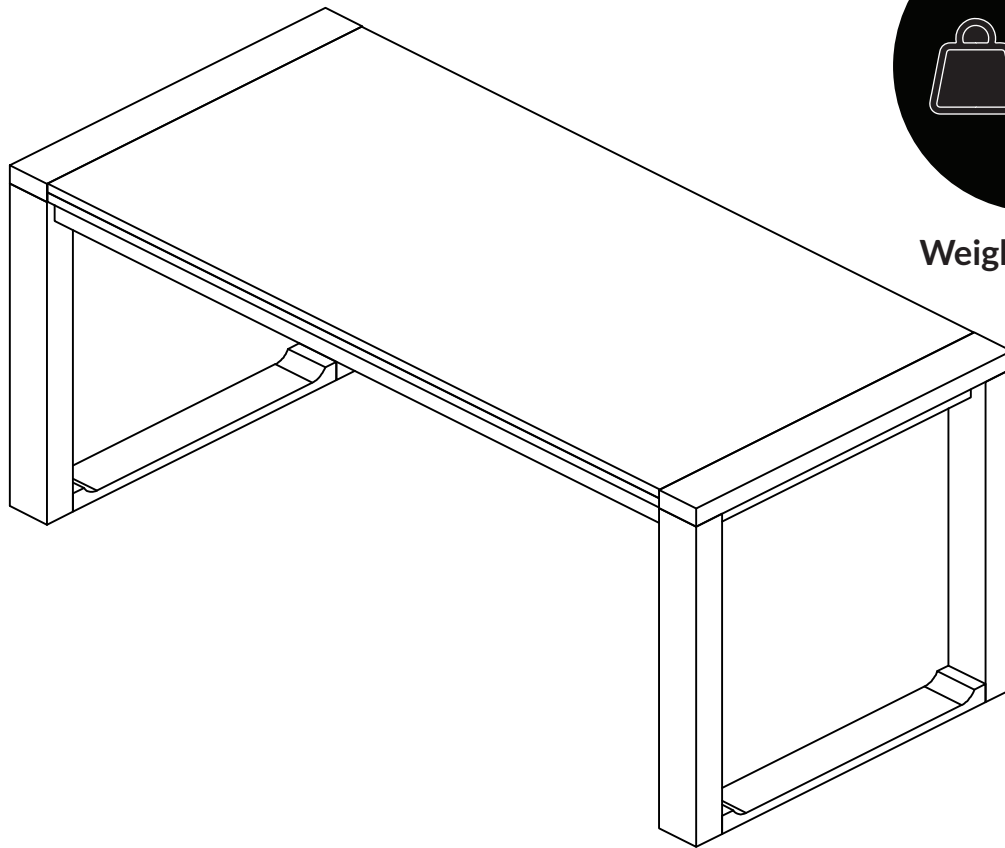




Boraam Industries

ASSEMBLY INSTRUCTIONS

SKU: 77334 | RASMUS EXTENSION DINING TABLE



Weight Capacity



Locate the **HARDWARE PACK** which is attached to the shipping carton with red tape.

02/2024



Have questions about assembling your item?



Items or parts damaged?



Missing a part?

We're here to help! (Monday-Friday from 9am-5pm CST)



847-949-6300
877-267-2261



customerservice@
boraamindustries.com



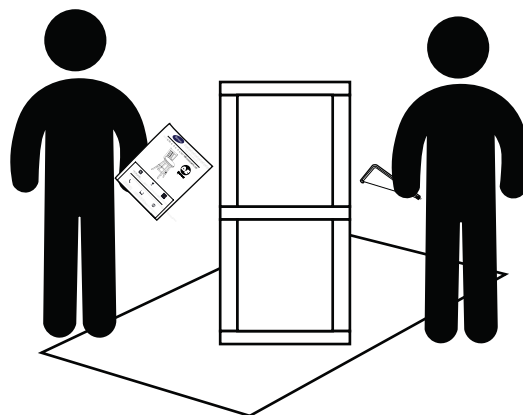
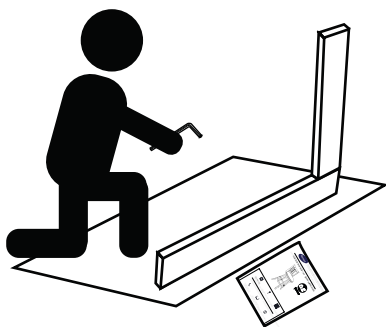
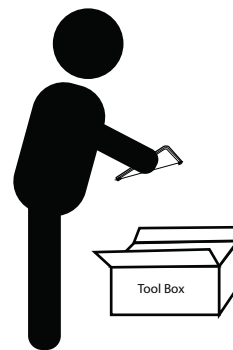
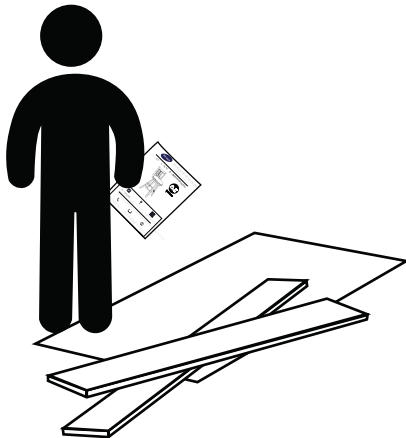
www.boraamindustries.com

Assembly And Care

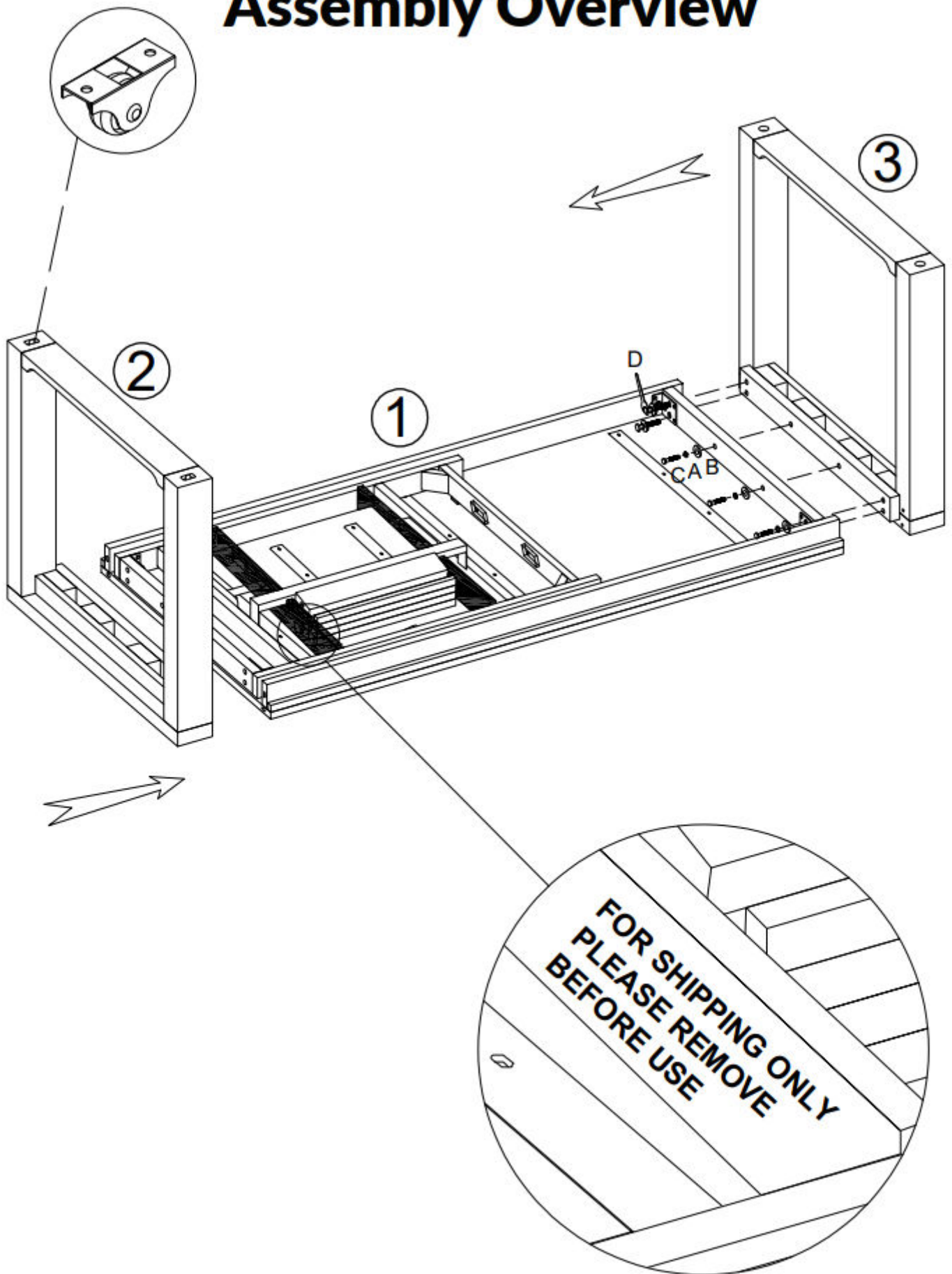
- All tools required for assembly are included unless noted.
- Prior to assembly, check for missing or damaged parts.
- Do not dispose of packing materials until assembly is completed.
- Assemble item on a soft, clean surface to prevent damage to the item.



Locate the **HARDWARE PACK** which is attached to the shipping carton with red tape.



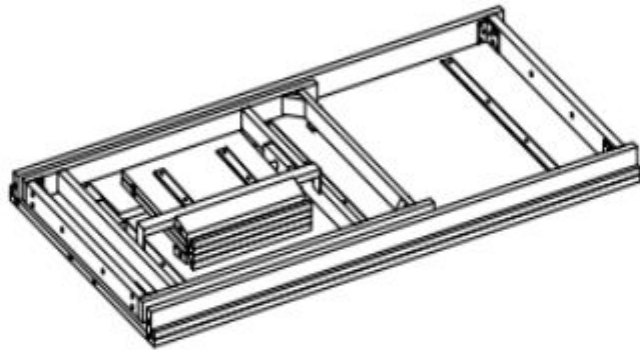
Assembly Overview



PARTS

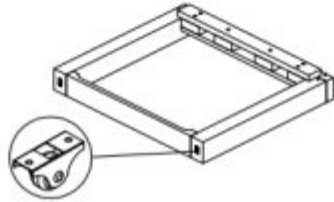
① (X1)

Top Panel :



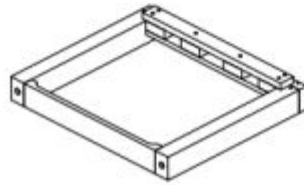
② (x1)

Leg with casters :



③ (x1)

Leg :



HARDWARE

Ⓐ (x12)

Ⓑ (x12)

Ⓒ (x12)

Ⓓ (x1)

Ⓔ (x1)



Spring Washer
M10*16



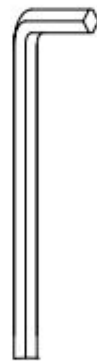
Flat Washer
M10*30



Bolt
M10*60

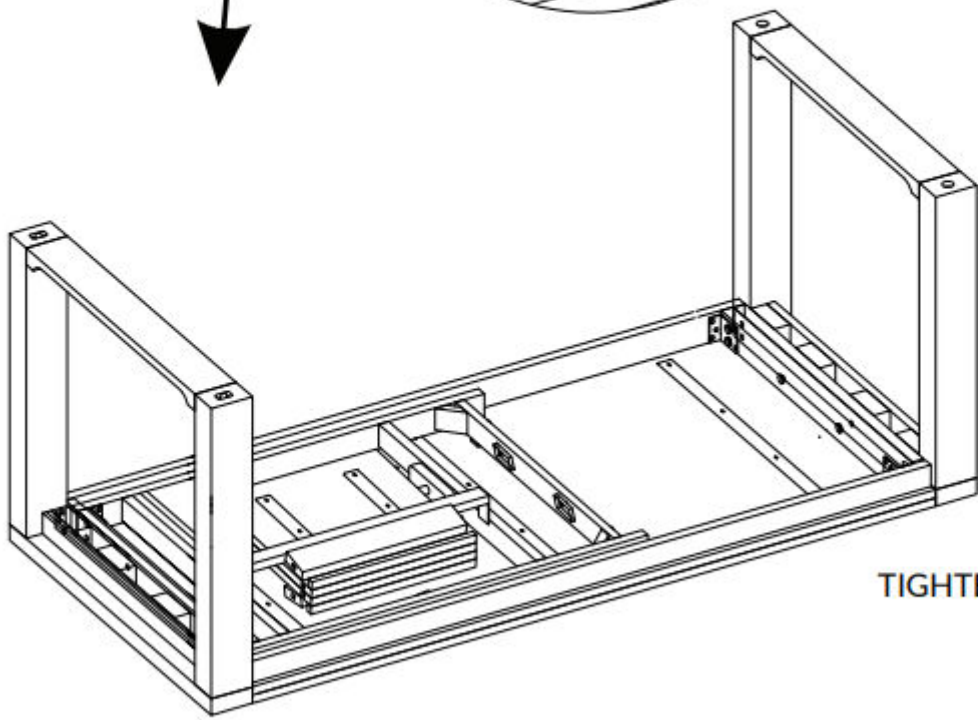
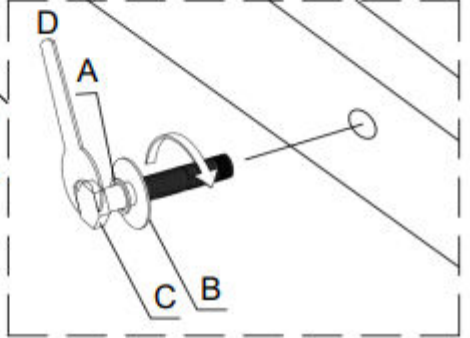
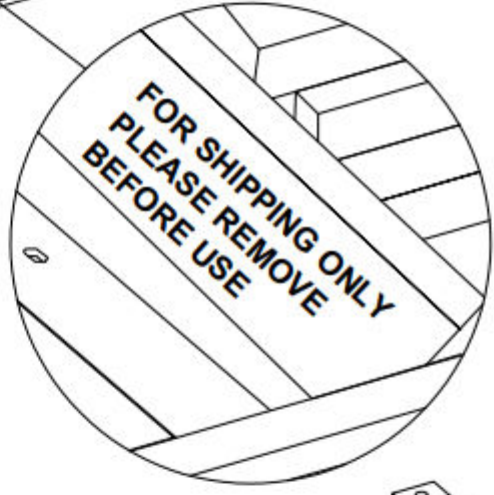
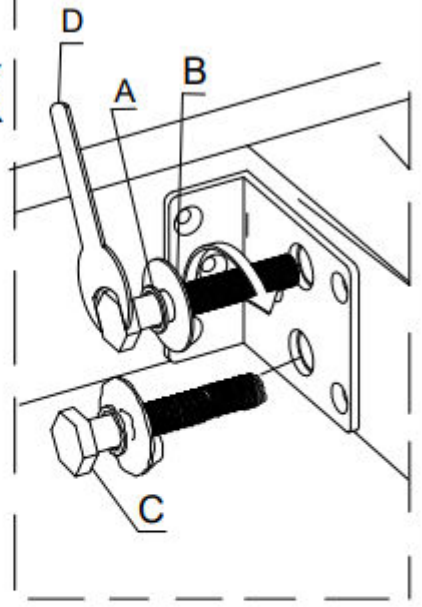
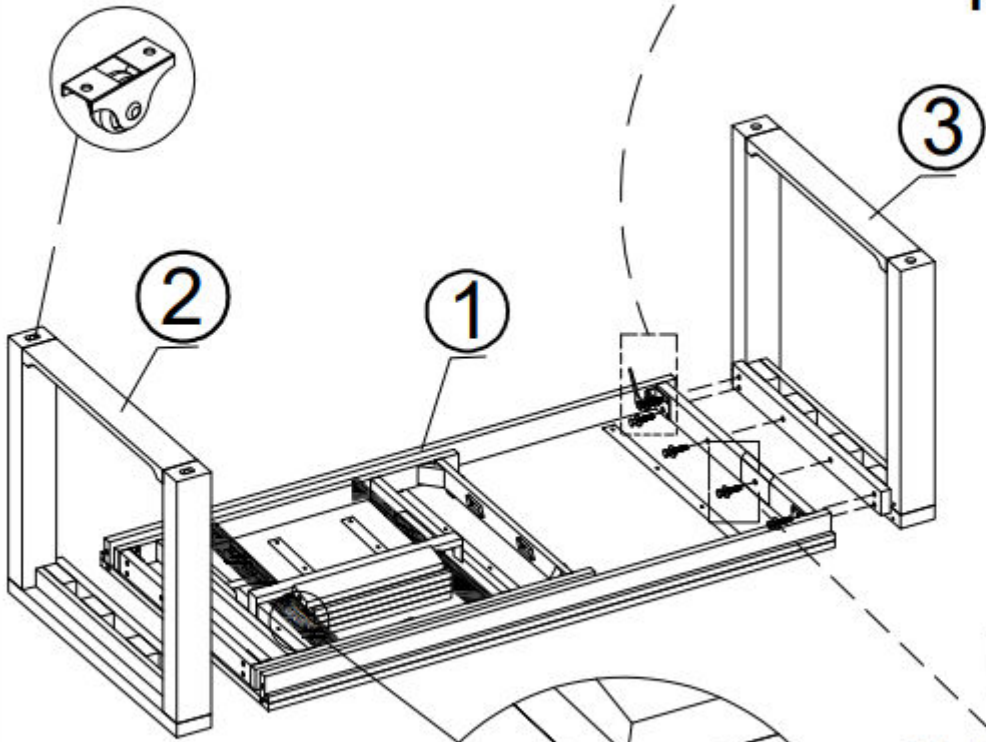


Wrench



Allen
Key

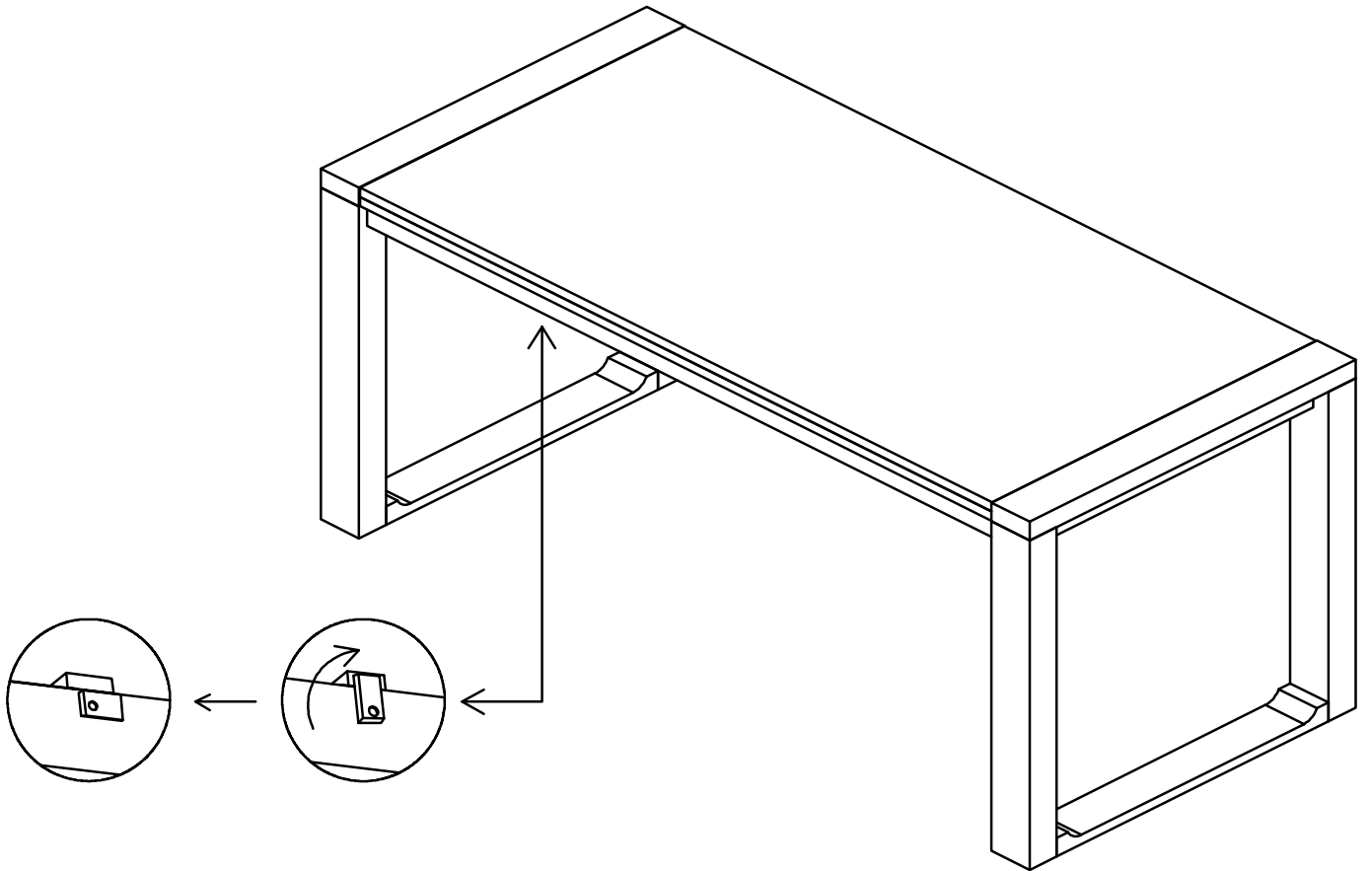
01



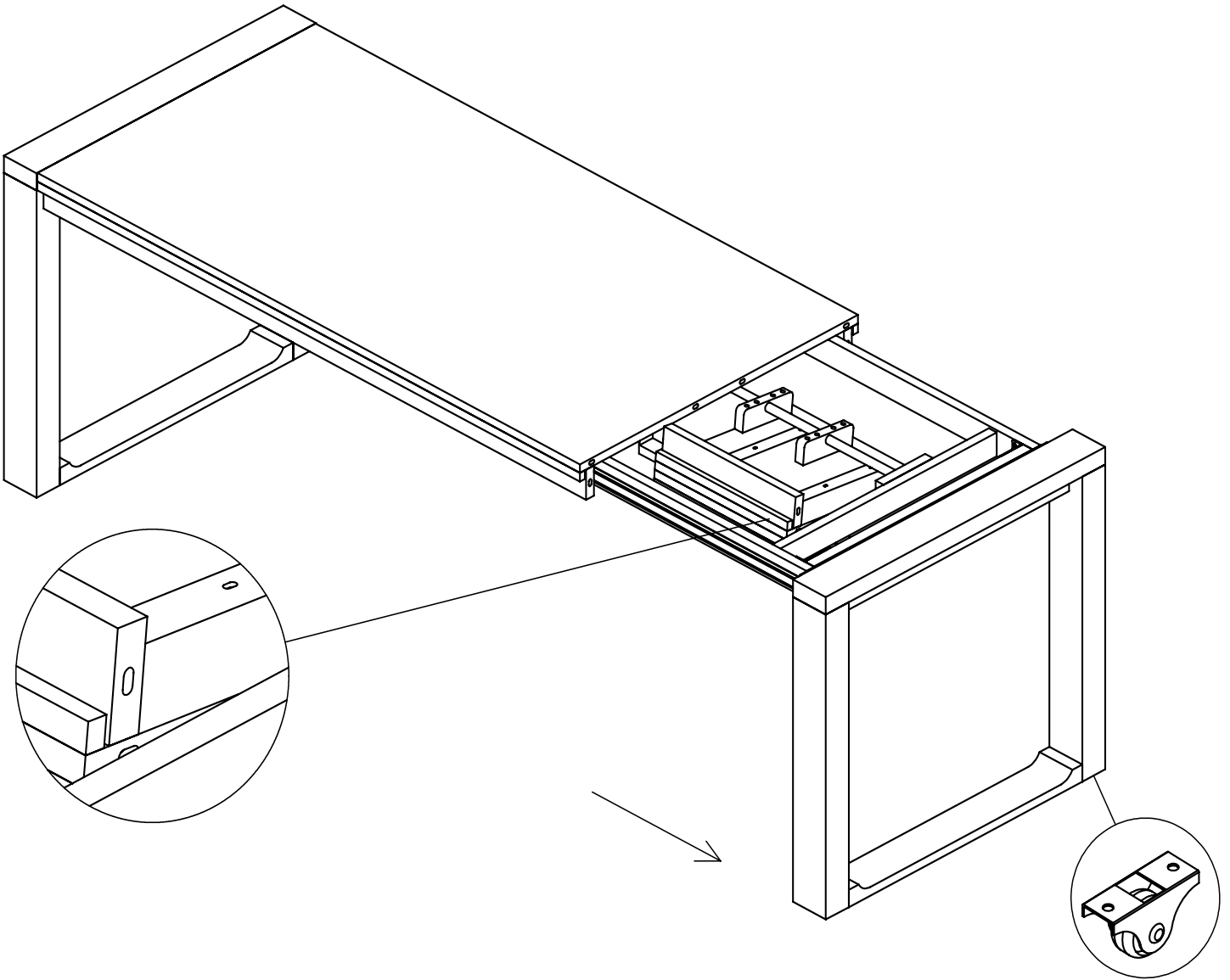
Hardware	Count
A	12
B	12
C	12
D	1

TIGHTEN BOLT COMPLETELY.

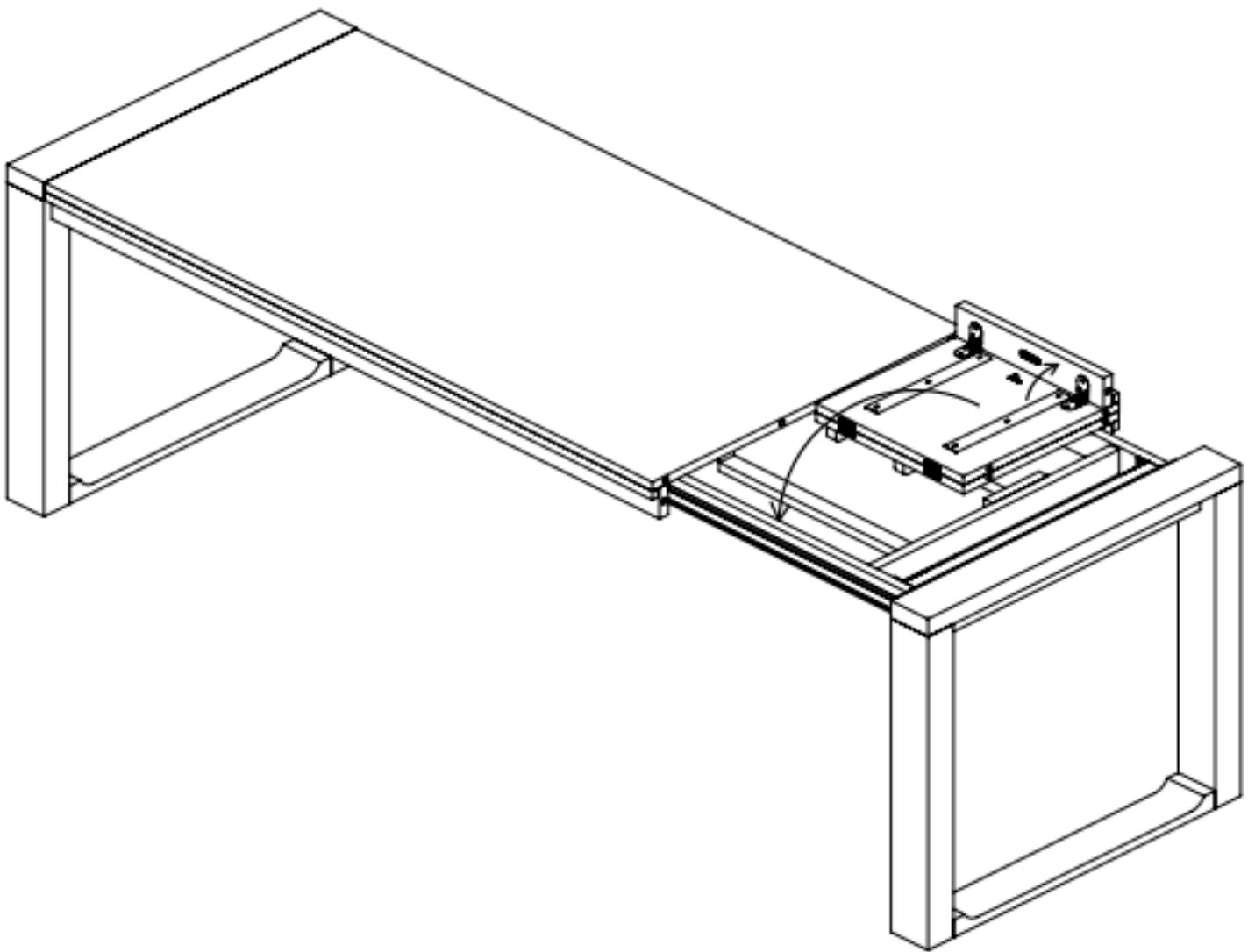
02



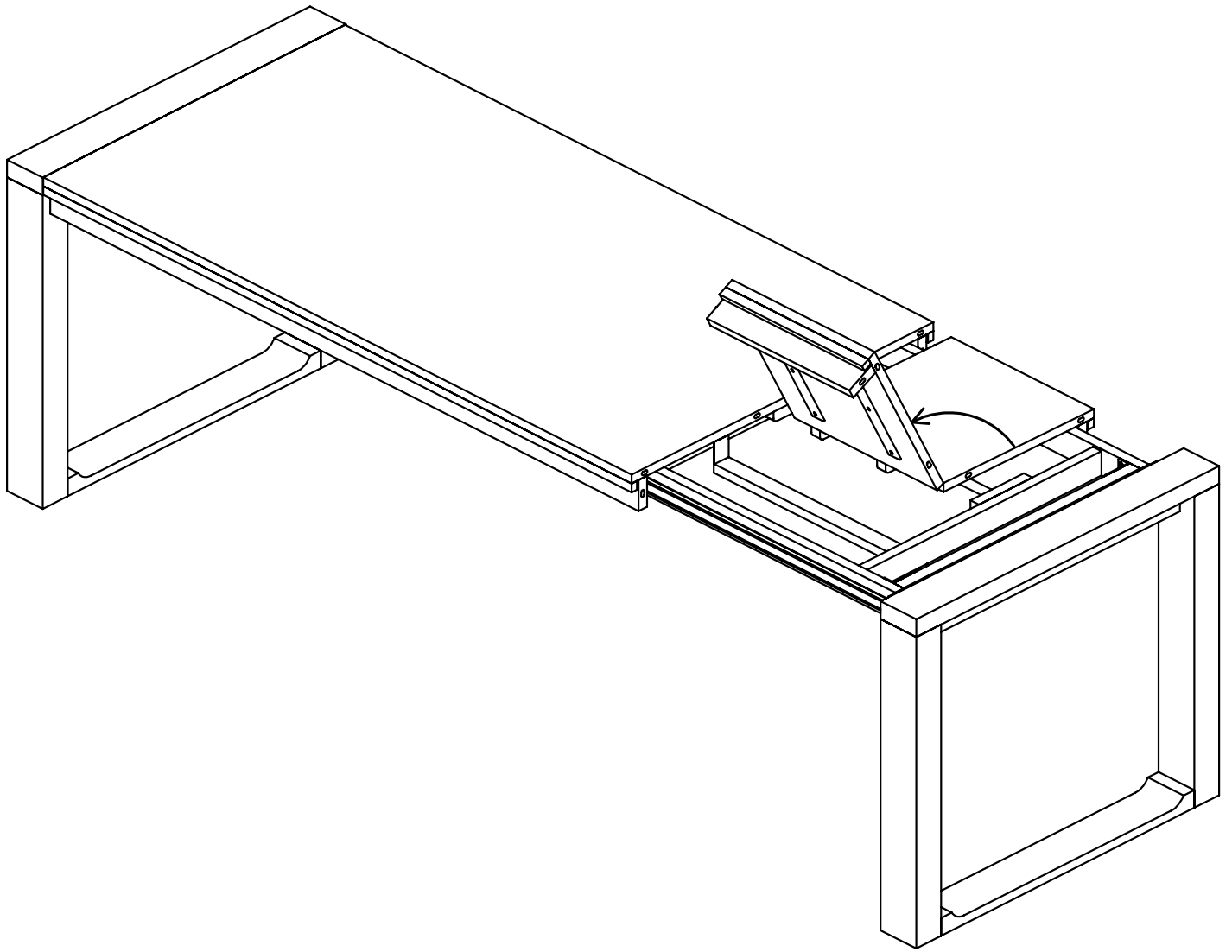
03



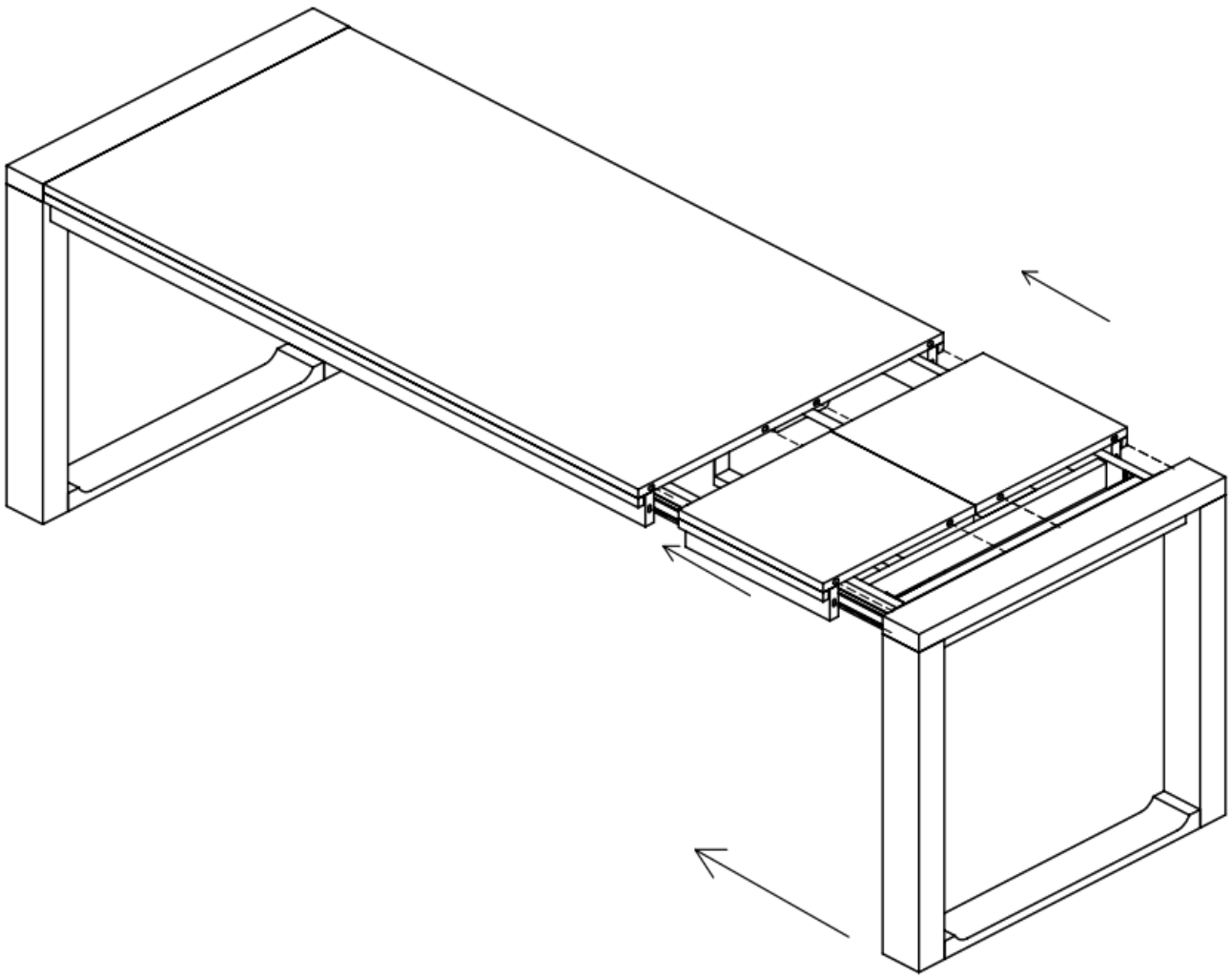
04



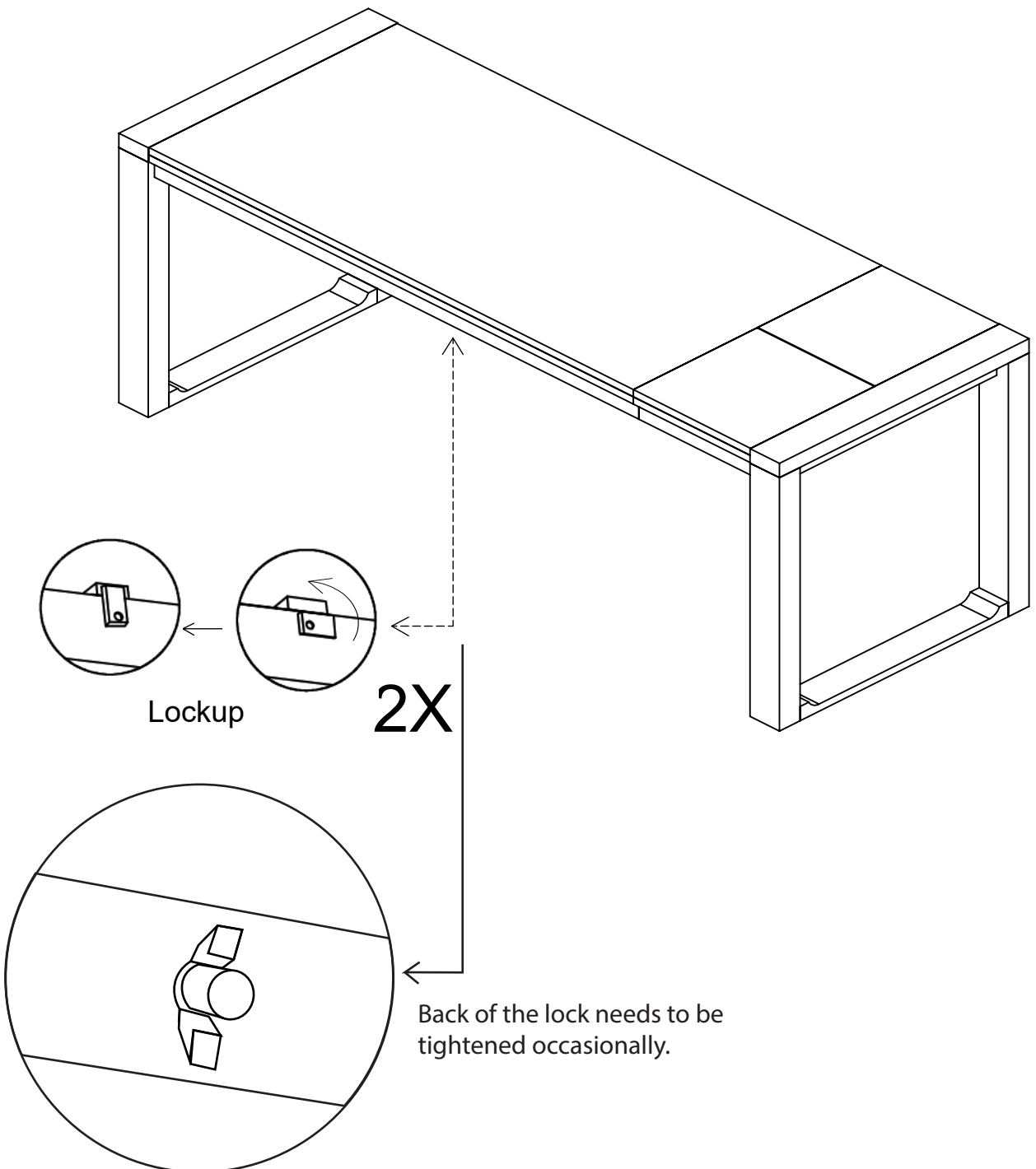
05



06

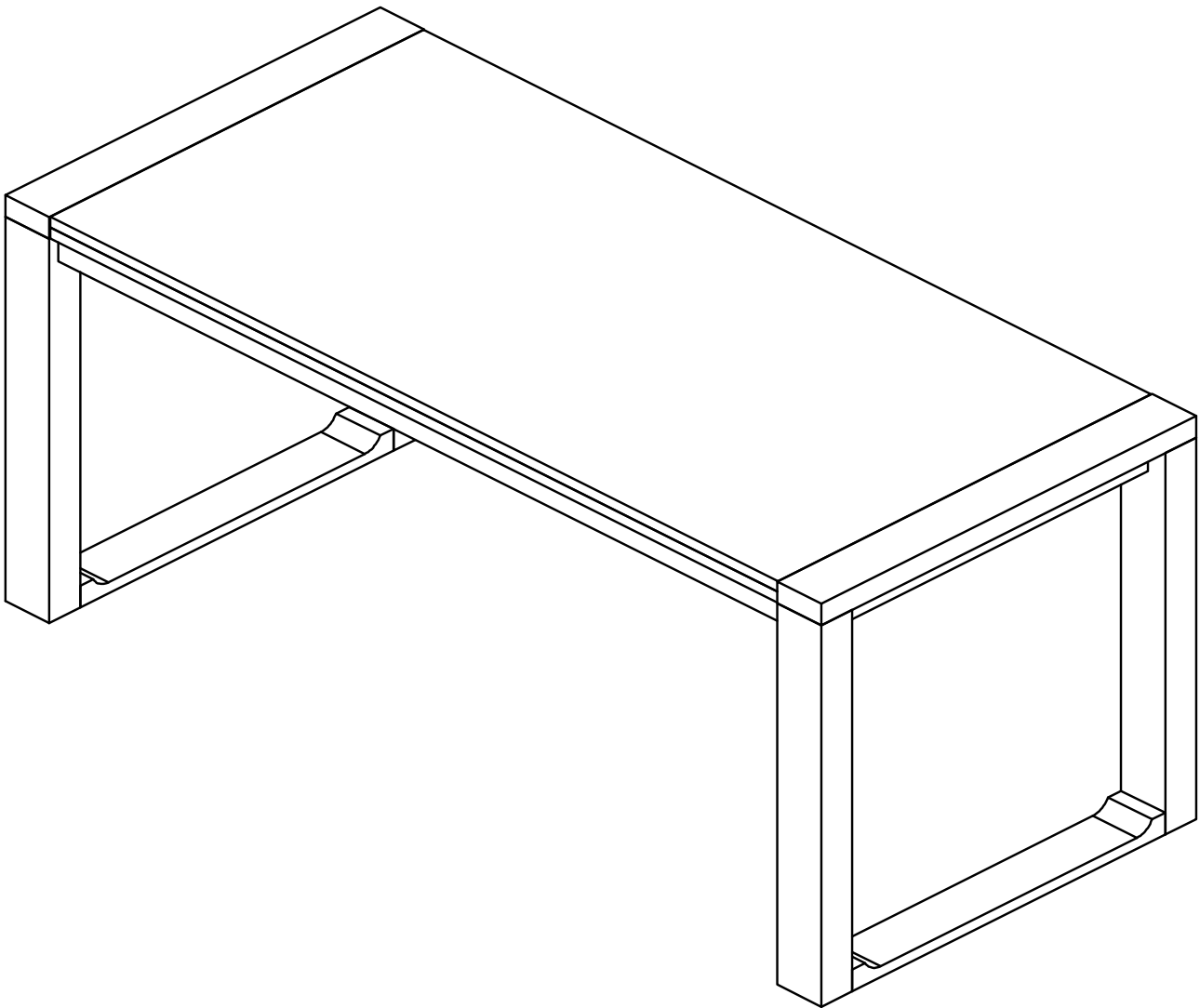


07





Weight Capacity



BE SURE TO CHECK ALL BOLTS ARE SECURELY TIGHTENED PRIOR TO USE.

847-949-6300 | 877-267-2261 | customerservice@boraamindustries.com