



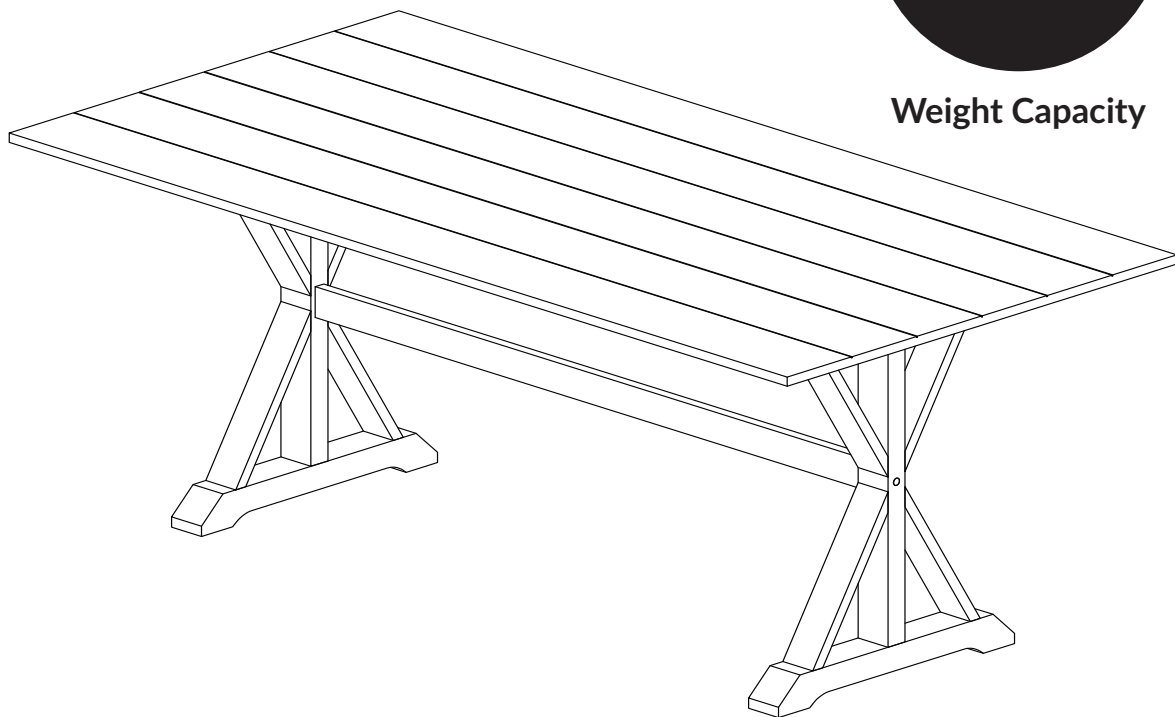
# Boraam Industries

ASSEMBLY INSTRUCTIONS

SKU: 77403 | JAMESTOWN DINING TABLE



Weight Capacity



Version 1 / Updated as of 11-17-23



Have questions about assembling your item?



Items or parts damaged?



Missing a part?

We're here to help! (Monday-Friday from 9am-5pm CST)



847-949-6300  
877-267-2261



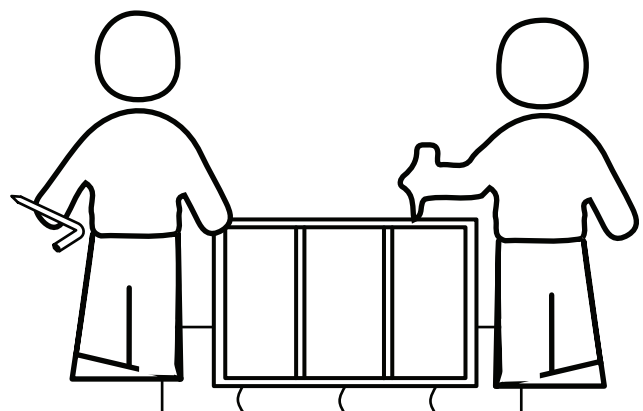
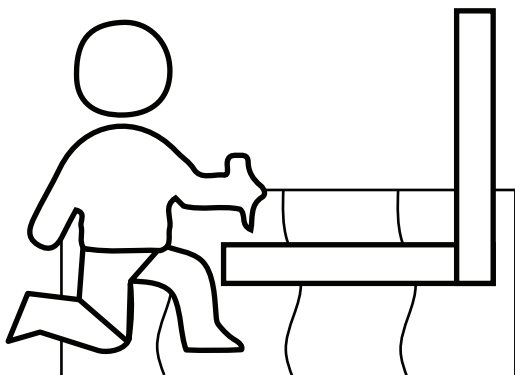
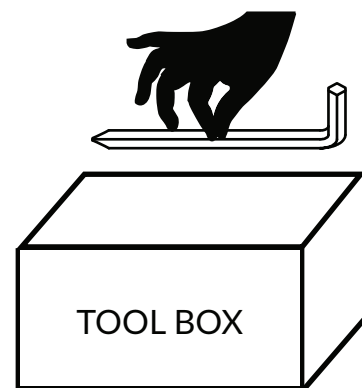
customerservice@  
boraamindustries.com



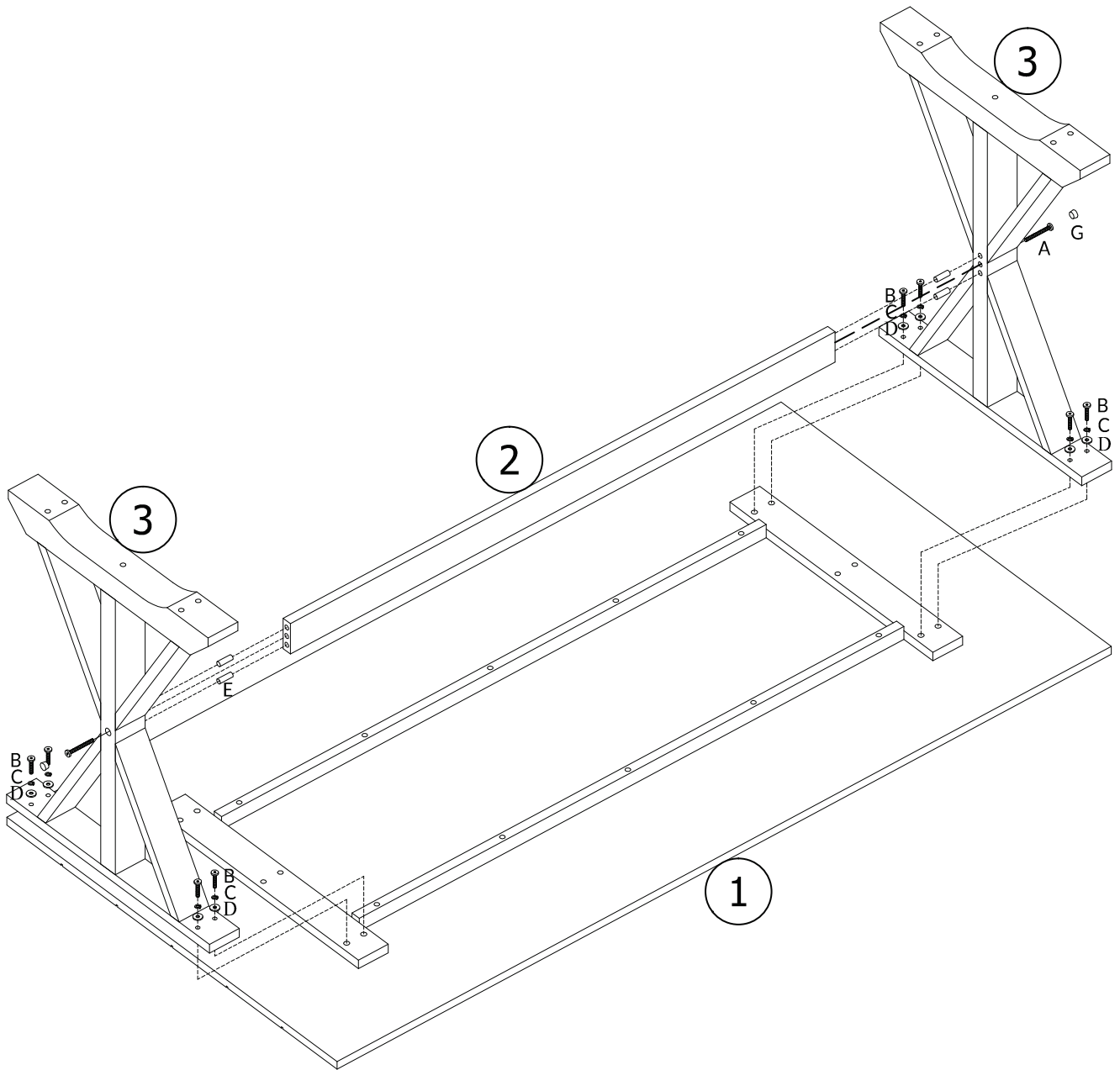
www.boraamindustries.com

# Assembly And Care

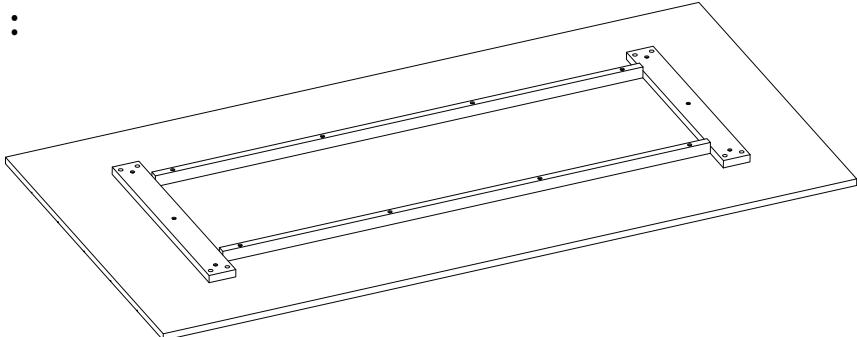
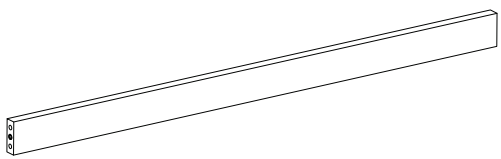
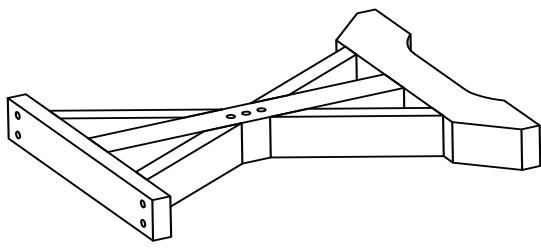
- All tools required for assembly are included unless noted.
- Prior to assembly, check for missing or damaged parts.
- Do not dispose of packaging materials until assembly is completed.
- Assemble item on a soft, clean surface to prevent damage to the item.



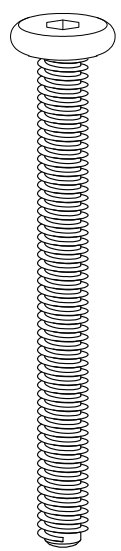
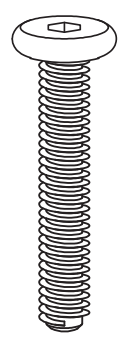
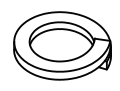
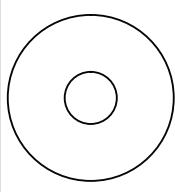

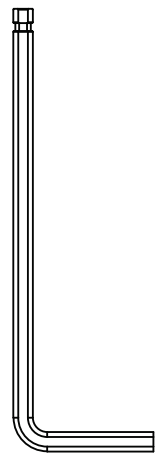
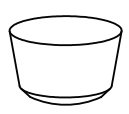
# Assembly Overview



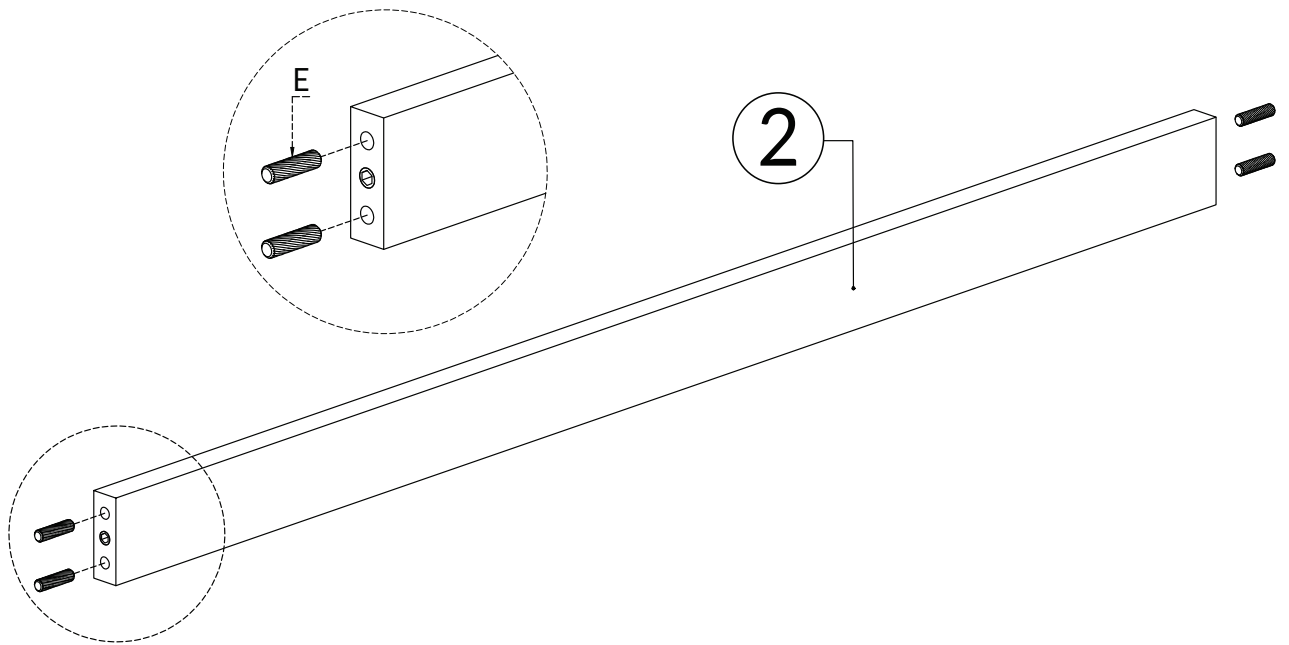
# PARTS

|  |   |
|--|---|
| ① (x1)   |   |
| <b>Top Panel :</b><br> |   |
| ② (x1)   | ③ (x2)  |
| <b>Crossbar:</b><br>   | <b>Leg :</b><br> |

# HARDWARE

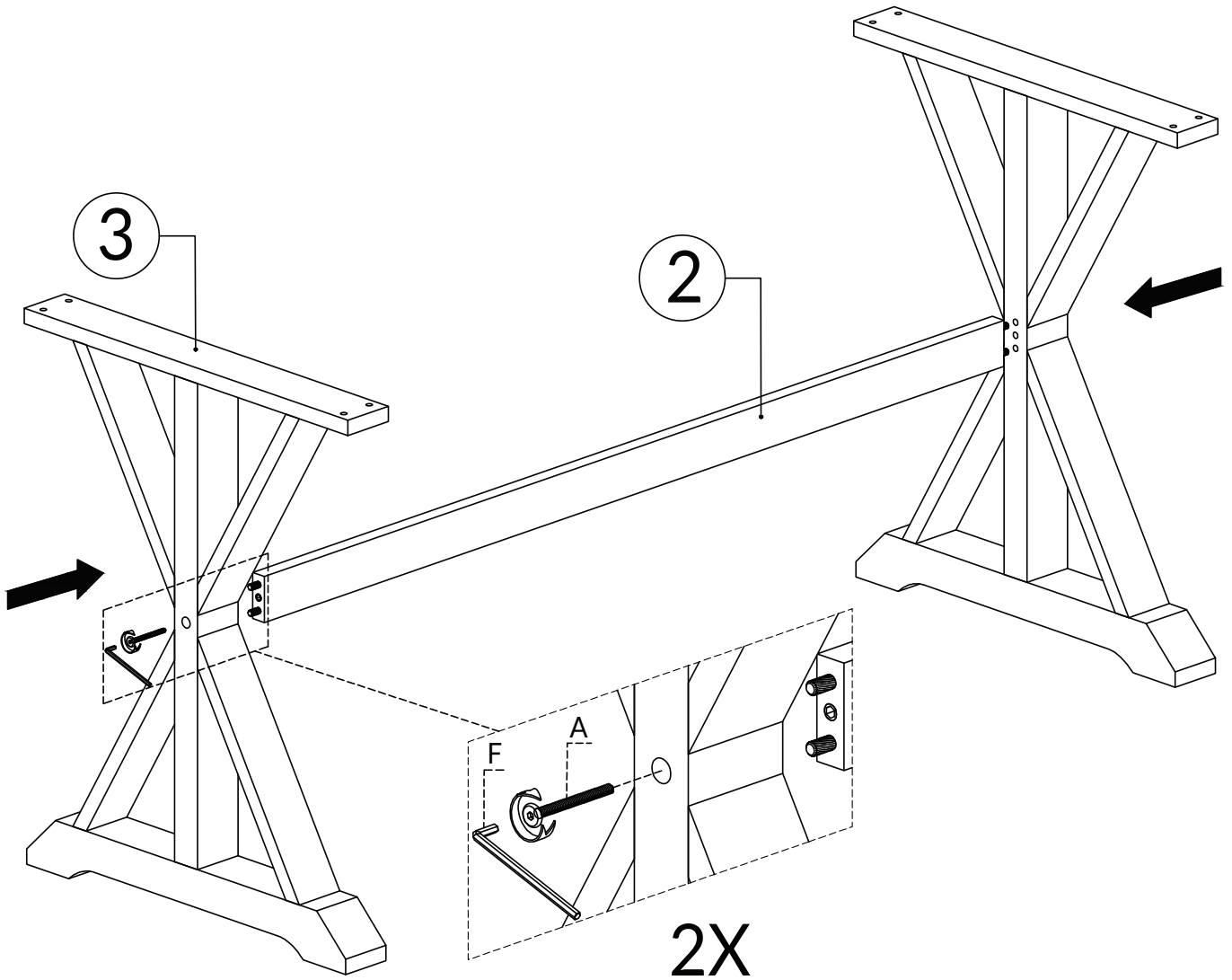
| Ⓐ (x2)  | Ⓑ (x8)  | Ⓒ (x8)  | Ⓓ (x8)  | Ⓔ (x4)   | Ⓕ (x1)  | Ⓖ (x2)  |
|---|---|---|---|--|---|---|
|  |  |  |  |  |  |  |
| Bolt<br>M6x60   | Bolt<br>M6x35   | Spring<br>Washer  | Flat<br>Washer  | Wooden<br>Dowel  | Allen<br>Wrench   | Wood<br>Button  |

# 01



| Hardware | Count |
|----------|-------|
| E        | 4     |

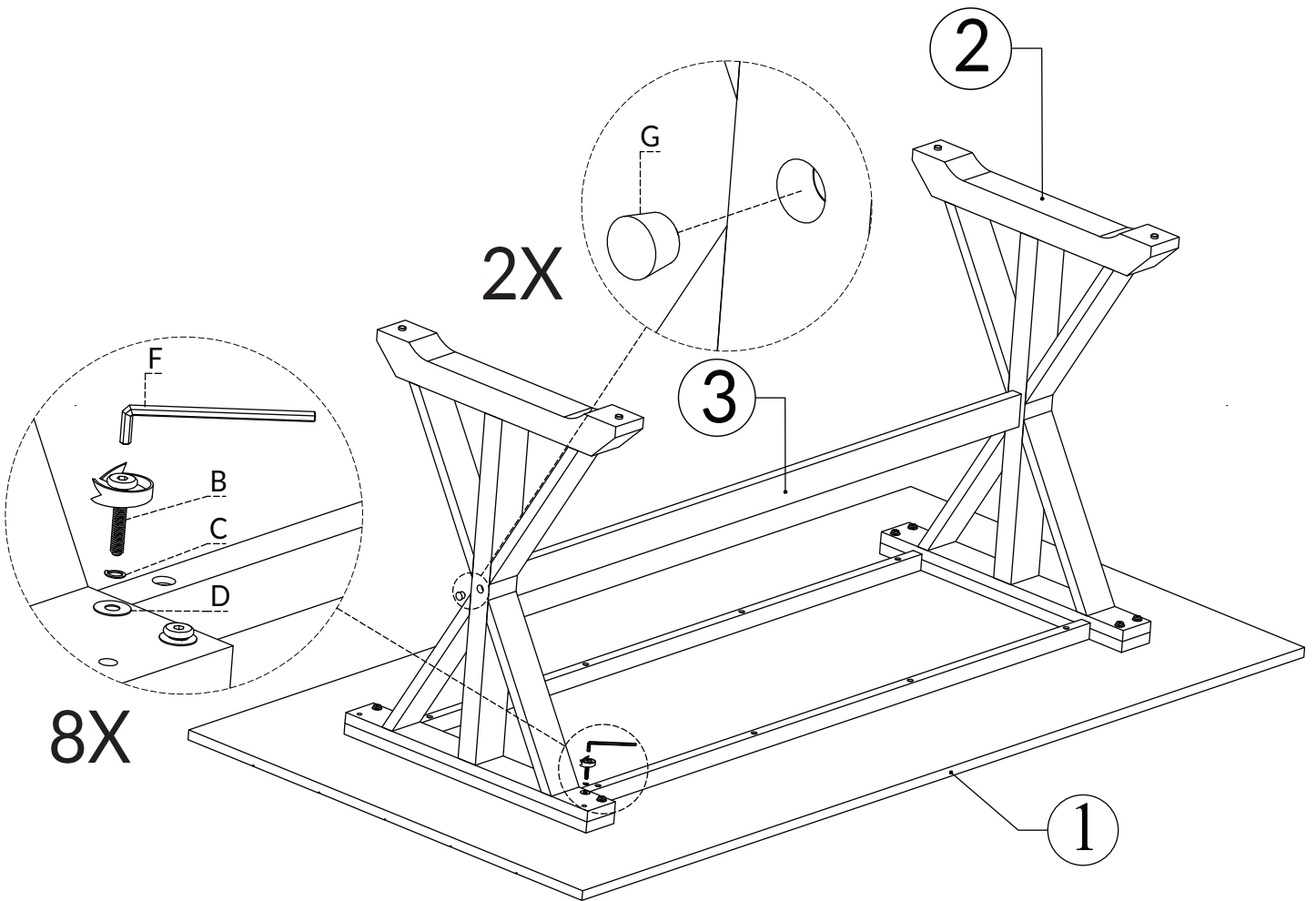
# 02



| Hardware | Count |
|----------|-------|
| A        | 2     |
| F        | 1     |

TIGHTEN BOLT COMPLETELY.

# 03

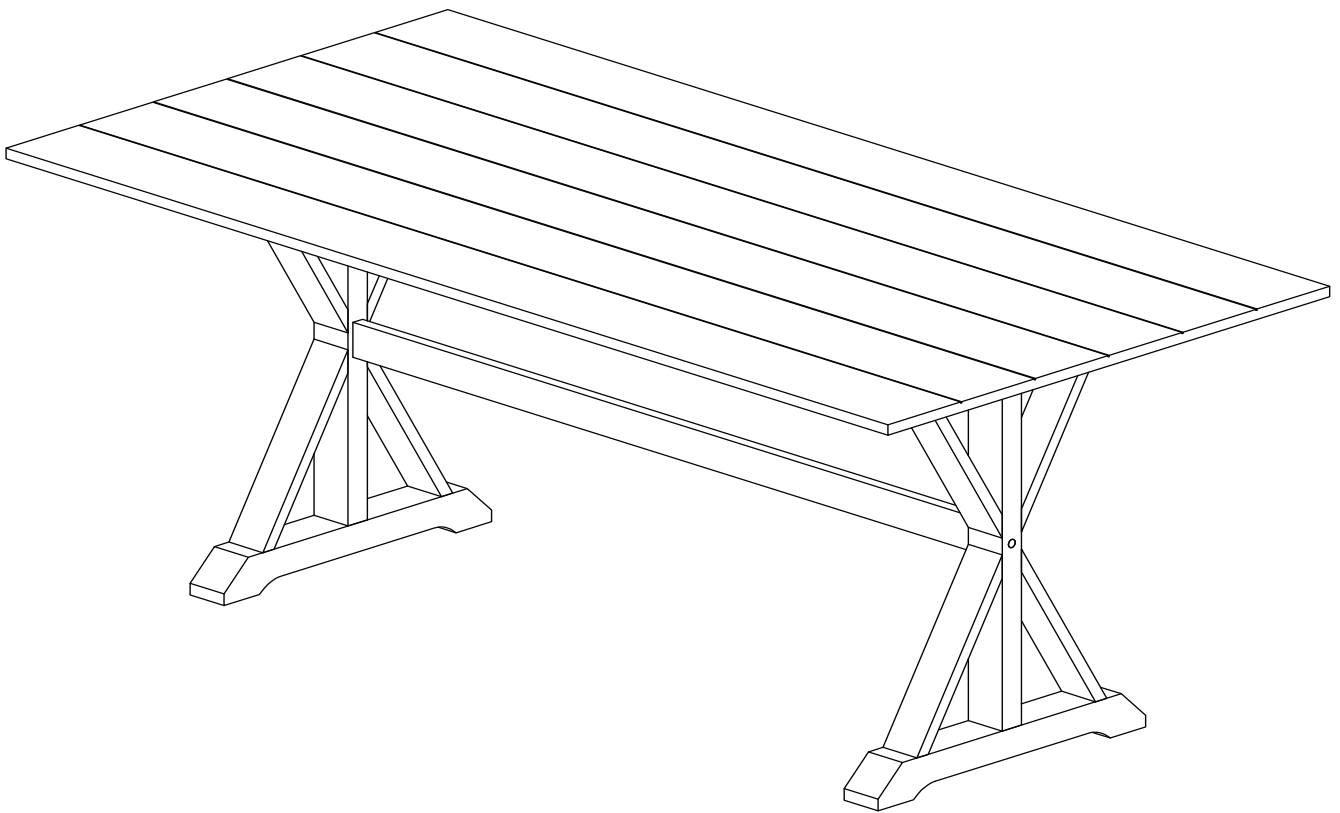


| Hardware | Count |
|----------|-------|
| B        | 8     |
| C        | 8     |
| D        | 8     |
| F        | 1     |
| G        | 2     |

TIGHTEN BOLT COMPLETELY.



**Weight Capacity**



**BE SURE TO CHECK ALL BOLTS ARE SECURELY TIGHTENED PRIOR TO USE.**

847-949-6300 | 877-267-2261 | [customerservice@boraamindustries.com](mailto:customerservice@boraamindustries.com)

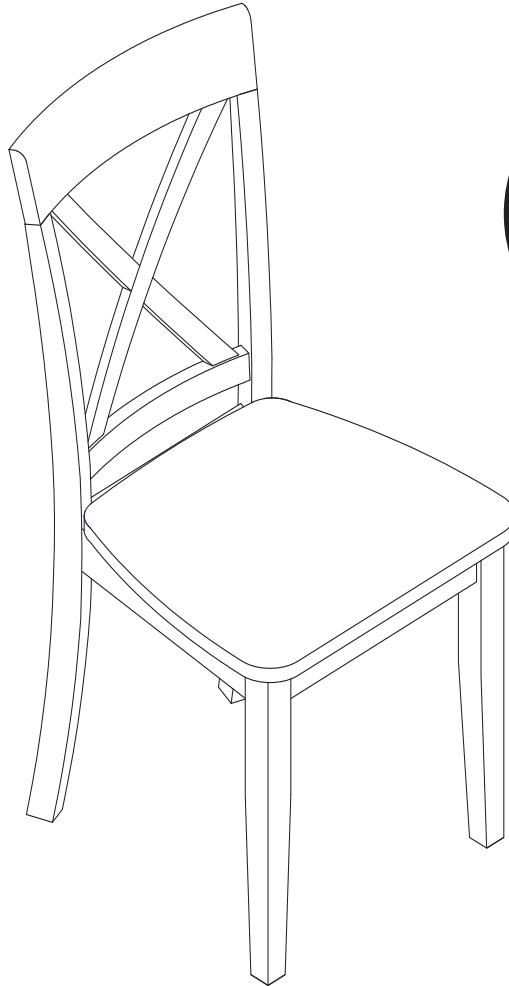




# Boraam Industries

ASSEMBLY INSTRUCTIONS

SKU:77405 | JAMESTOWN DINING CHAIR



Weight Capacity



Locate the **HARDWARE PACK** which is attached to the shipping carton with red tape.

01/2024



Have questions about assembling your item?



Items or parts damaged?



Missing a part?

**We're here to help! (Monday-Friday from 9am-5pm CST)**



847-949-6300  
877-267-2261



customerservice@  
boraamindustries.com



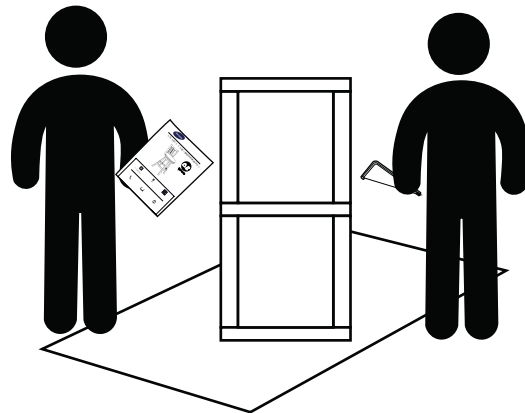
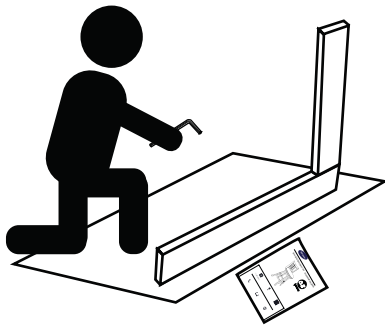
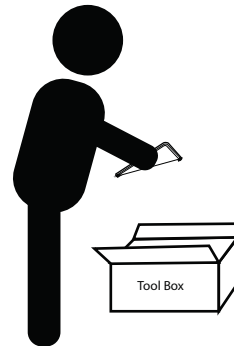
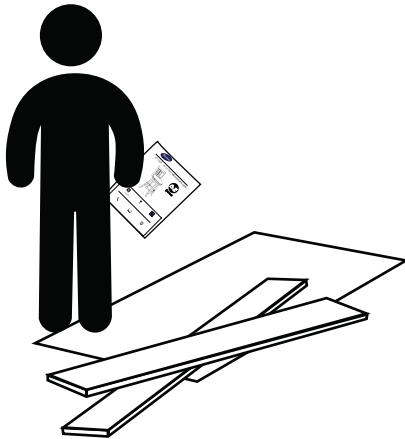
www.boraamindustries.com

# Assembly And Care

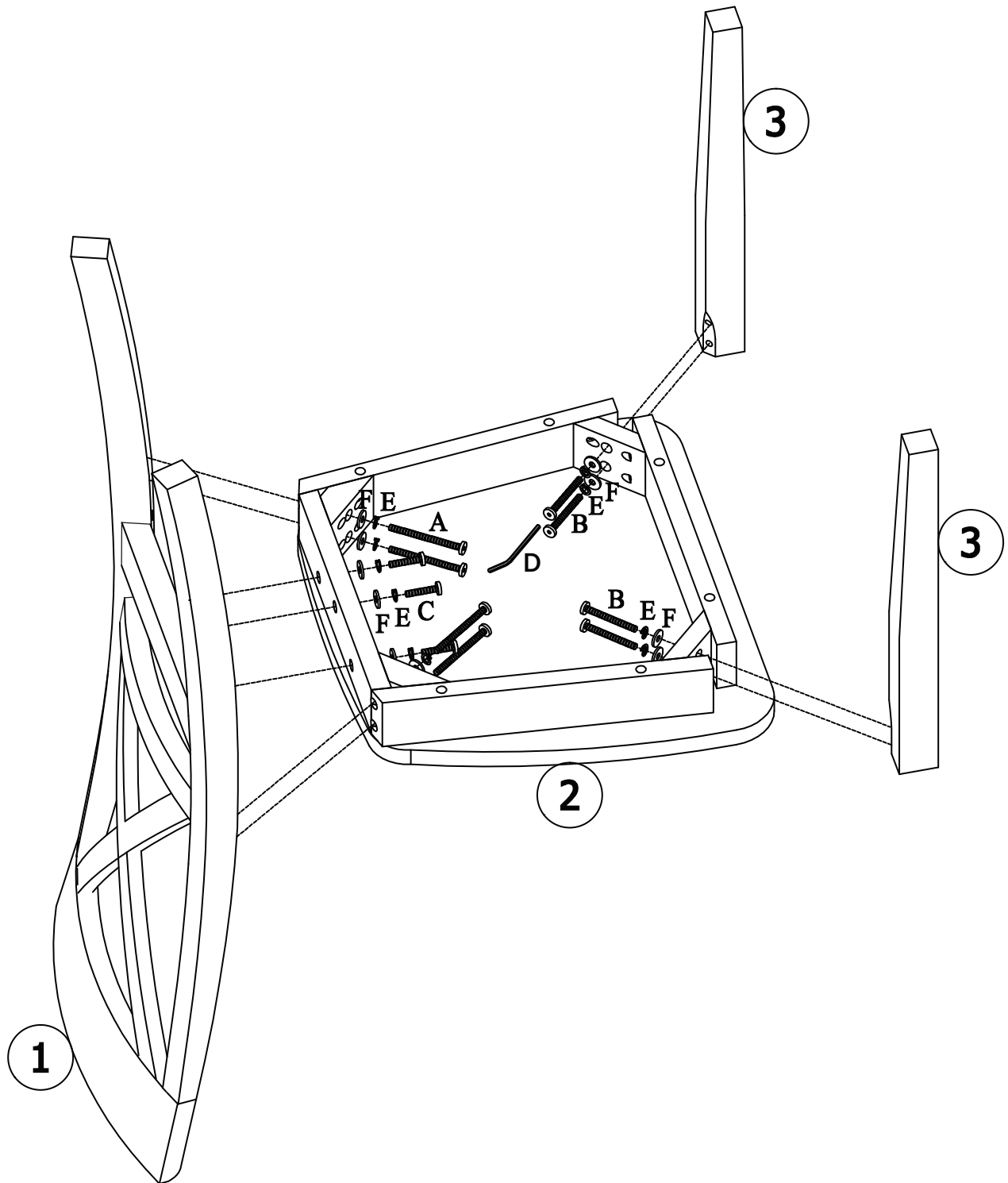
- All tools required for assembly are included unless noted.
- Prior to assembly, check for missing or damaged parts.
- Do not dispose of packing materials until assembly is completed.
- Assemble item on a soft, clean surface to prevent damage to the item.



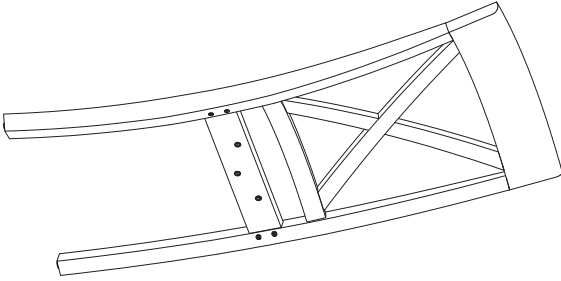
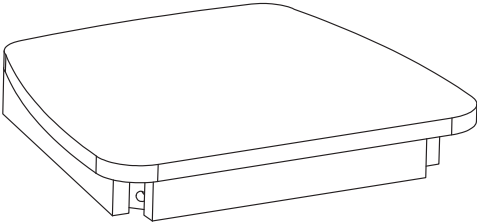

Locate the **HARDWARE PACK** which is attached to the shipping carton with red tape.



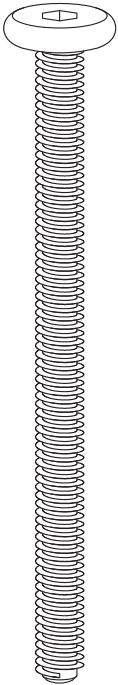
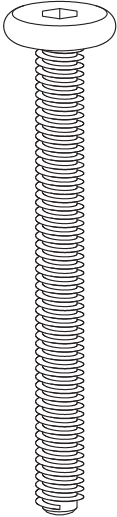
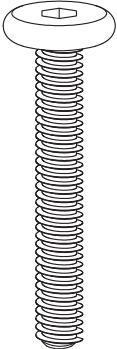


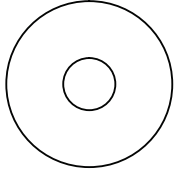
# Assembly Overview



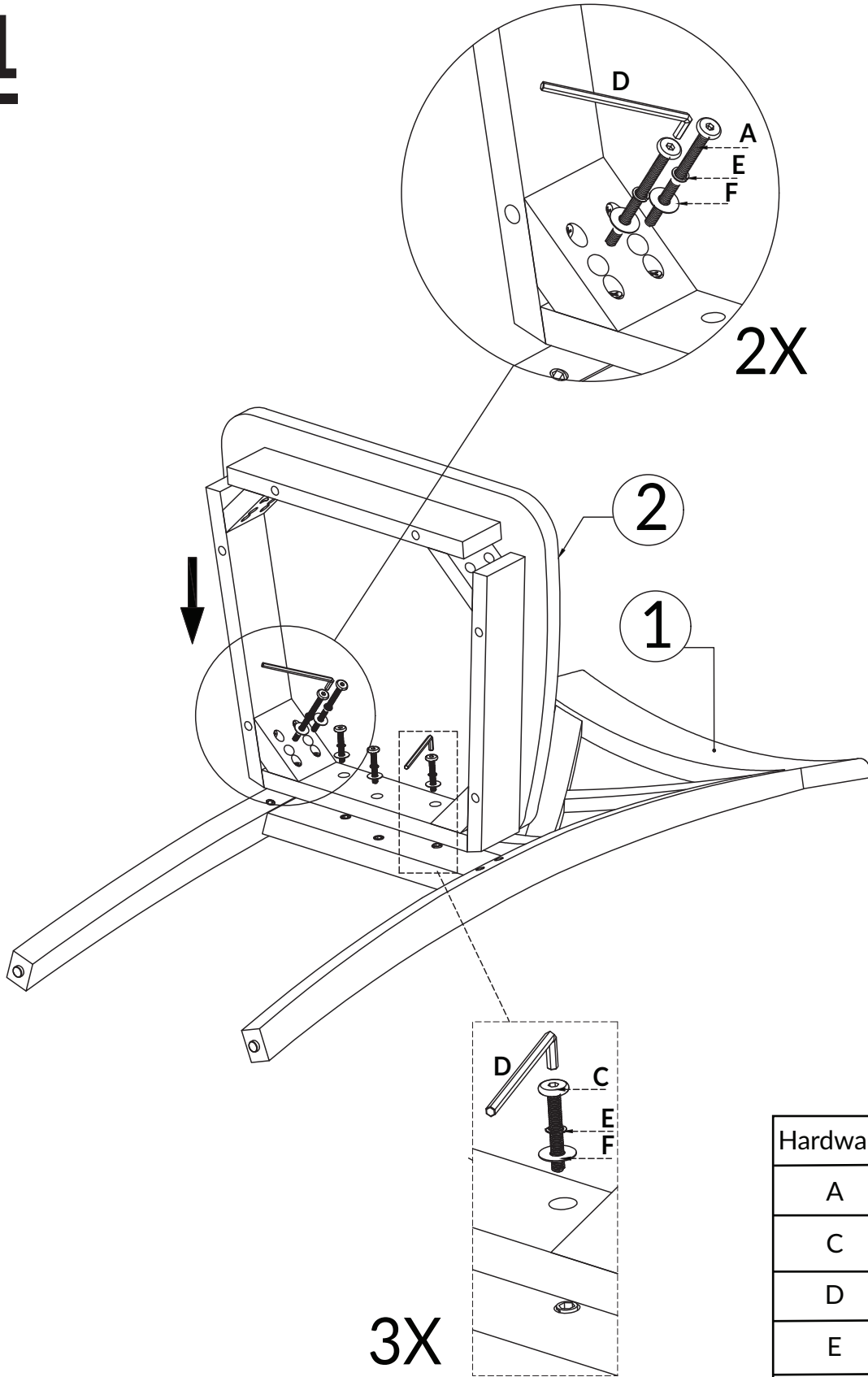
# PARTS

|   |   |
|---|---|
| ① (x1)  |   |
| <b>Chair Back:</b>  |   |
| ② (x1)  | ③ (x2)  |
| <b>Seat Frame:</b>   | <b>Leg:</b>  |

# HARDWARE

| Ⓐ (x4)  | Ⓑ (x4)  | Ⓒ (x3)  | Ⓓ (x1)  | Ⓔ (x11)   | Ⓕ (x11)   |
|---|---|---|---|---|---|
|  |  |  |  |  |  |
| Bolt<br>M6x80   | Bolt<br>M6x60   | Bolt<br>M6x40   | Allen<br>Wrench   | Spring<br>Washer  | Flat<br>Washer  |

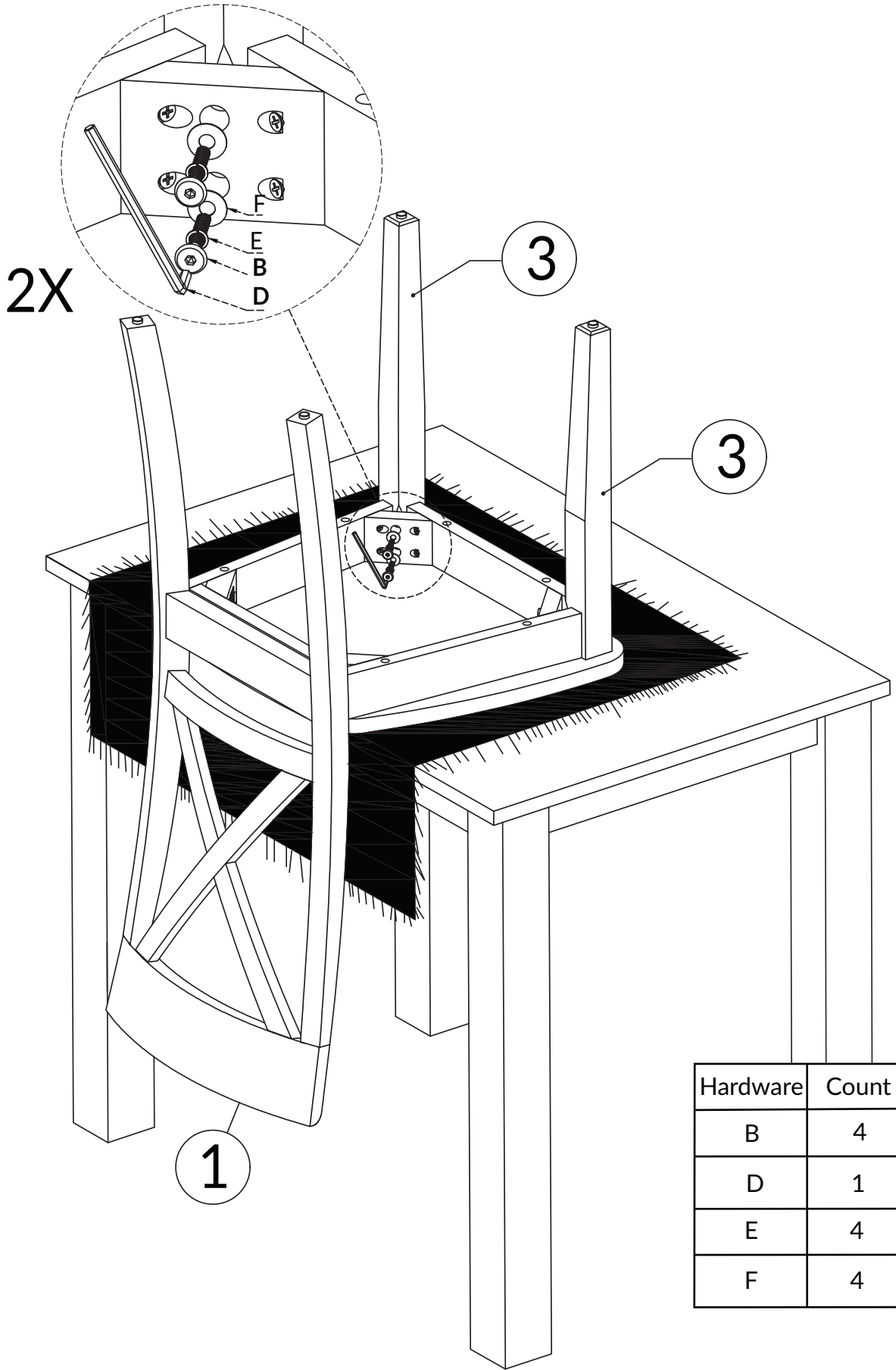
# 01



| Hardware | Count |
|----------|-------|
| A        | 4     |
| C        | 3     |
| D        | 1     |
| E        | 7     |
| F        | 7     |

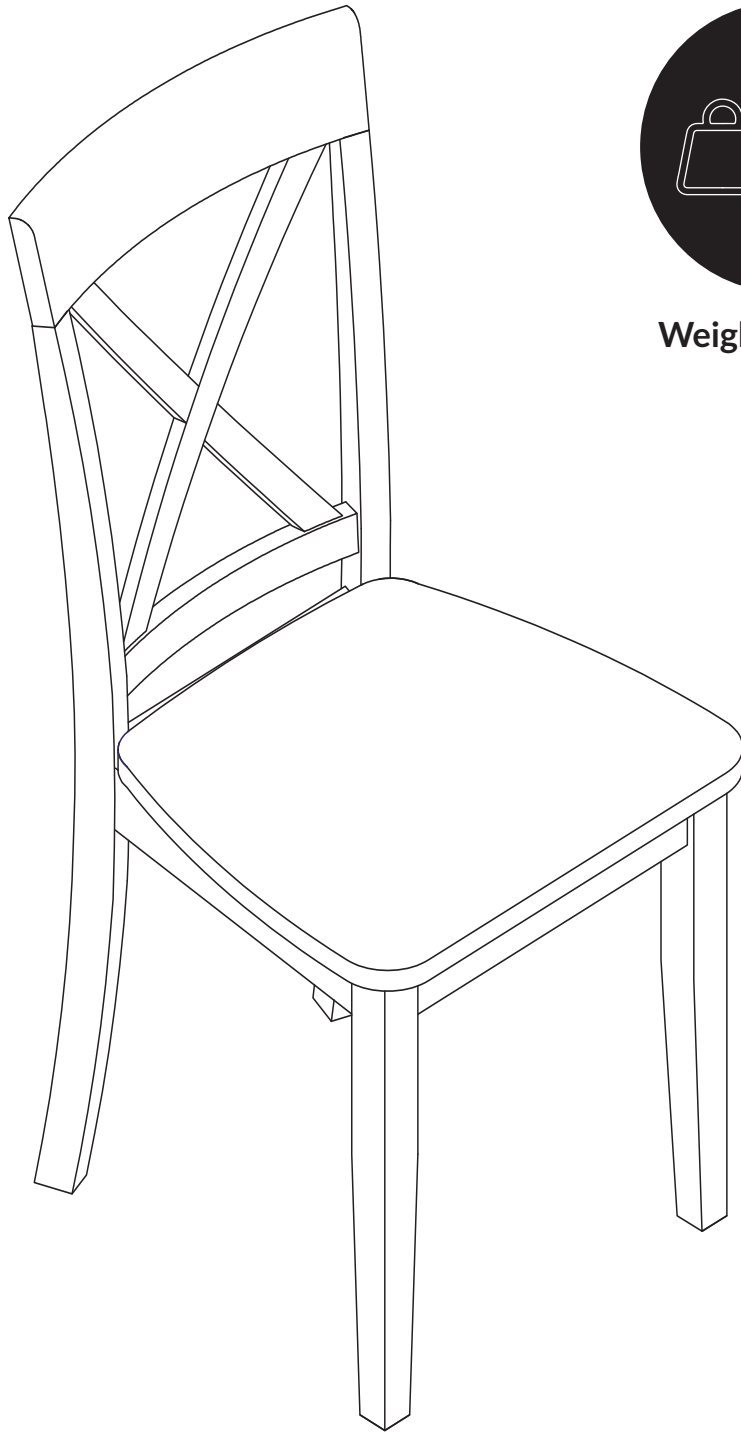
TIGHTEN BOLT COMPLETELY.

# 02



| Hardware | Count |
|----------|-------|
| B        | 4     |
| D        | 1     |
| E        | 4     |
| F        | 4     |

TIGHTEN BOLT COMPLETELY.



**Weight Capacity**

**BE SURE TO CHECK ALL BOLTS ARE SECURELY TIGHTENED PRIOR TO USE.**

847-949-6300 | 877-267-2261 | [customerservice@boraamindustries.com](mailto:customerservice@boraamindustries.com)