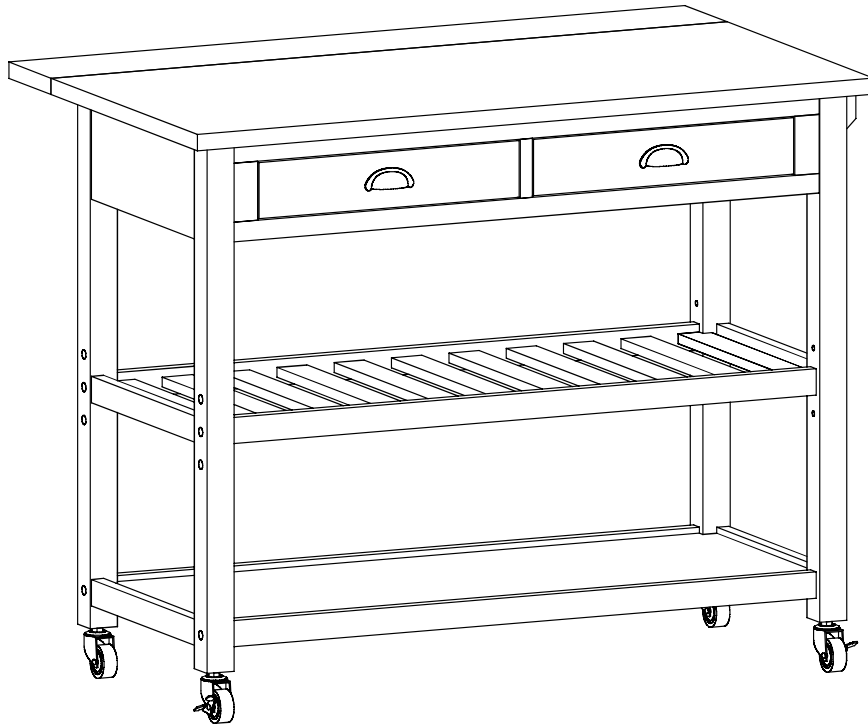




Boraam Industries

ASSEMBLY INSTRUCTIONS

SKU: 12508 | SONOMA KITCHEN CART WITH DROP LEAF



Weight Capacity



Locate the **HARDWARE PACK** which is attached to the shipping carton with red tape.

18/08/2024



Have questions about assembling your item?



Items or parts damaged?



Missing a part?

We're here to help! (Monday-Friday from 9am-5pm CST)



847-949-6300
877-267-2261



customerservice@
boraamindustries.com



www.boraamindustries.com

Phillips
Screwdriver
(Not provided)

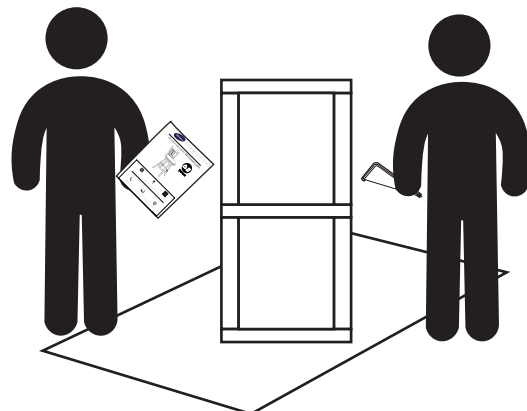
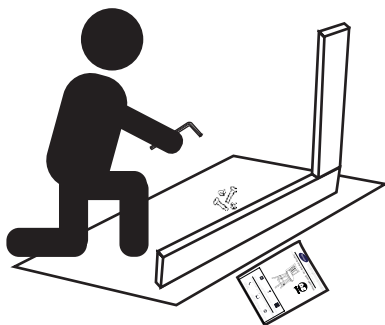
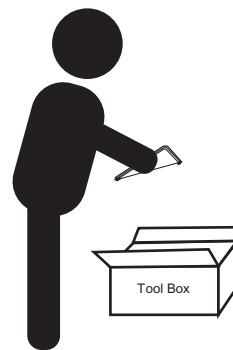
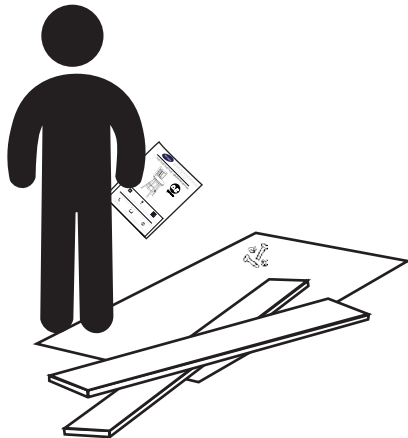


Assembly And Care

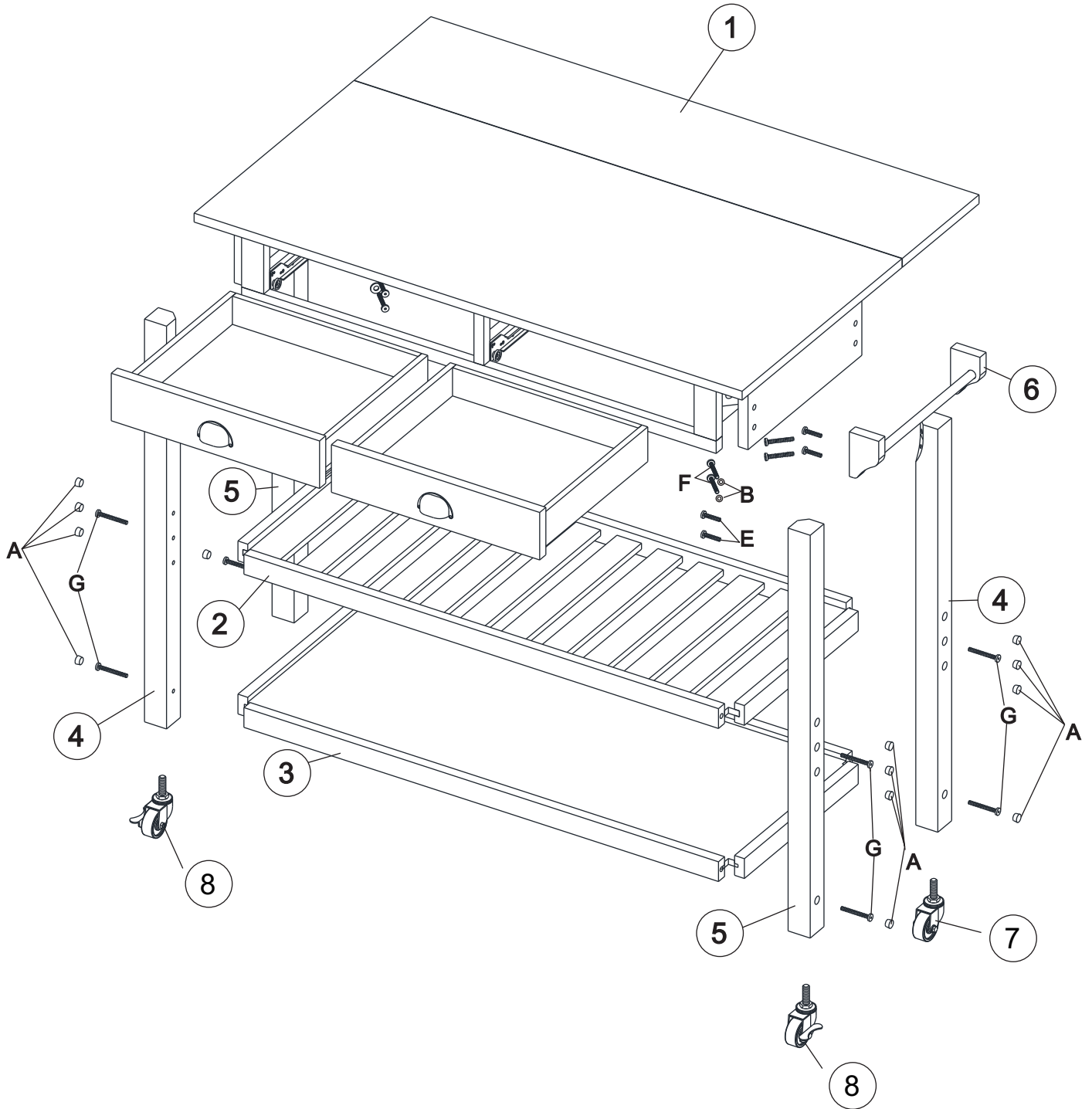
- All tools required for assembly are included unless noted.
- Prior to assembly, check for missing or damaged parts.
- Do not dispose of packing materials until assembly is completed.
- Assemble item on a soft, clean surface to prevent damage to the item.
- Periodically check hardware and re-tighten as necessary.



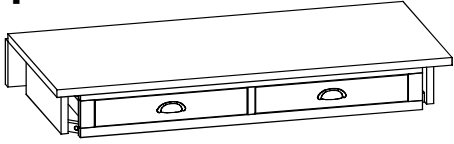
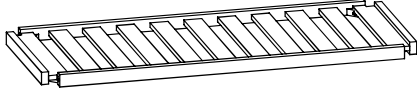

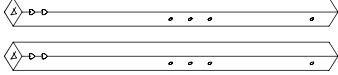
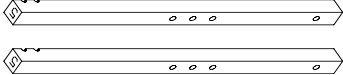
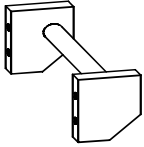
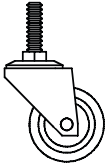
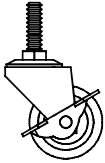
Locate the
HARDWARE PACK
which is attached to the
shipping carton with red
tape.




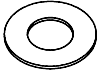

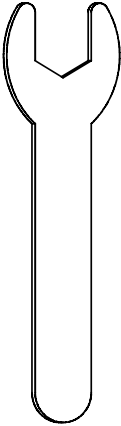
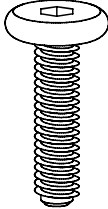
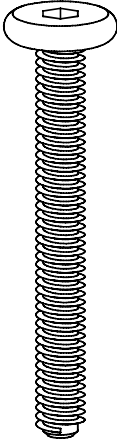
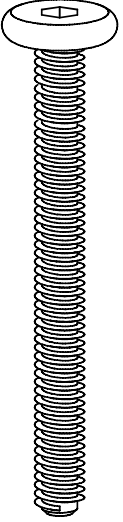
Assembly Overview



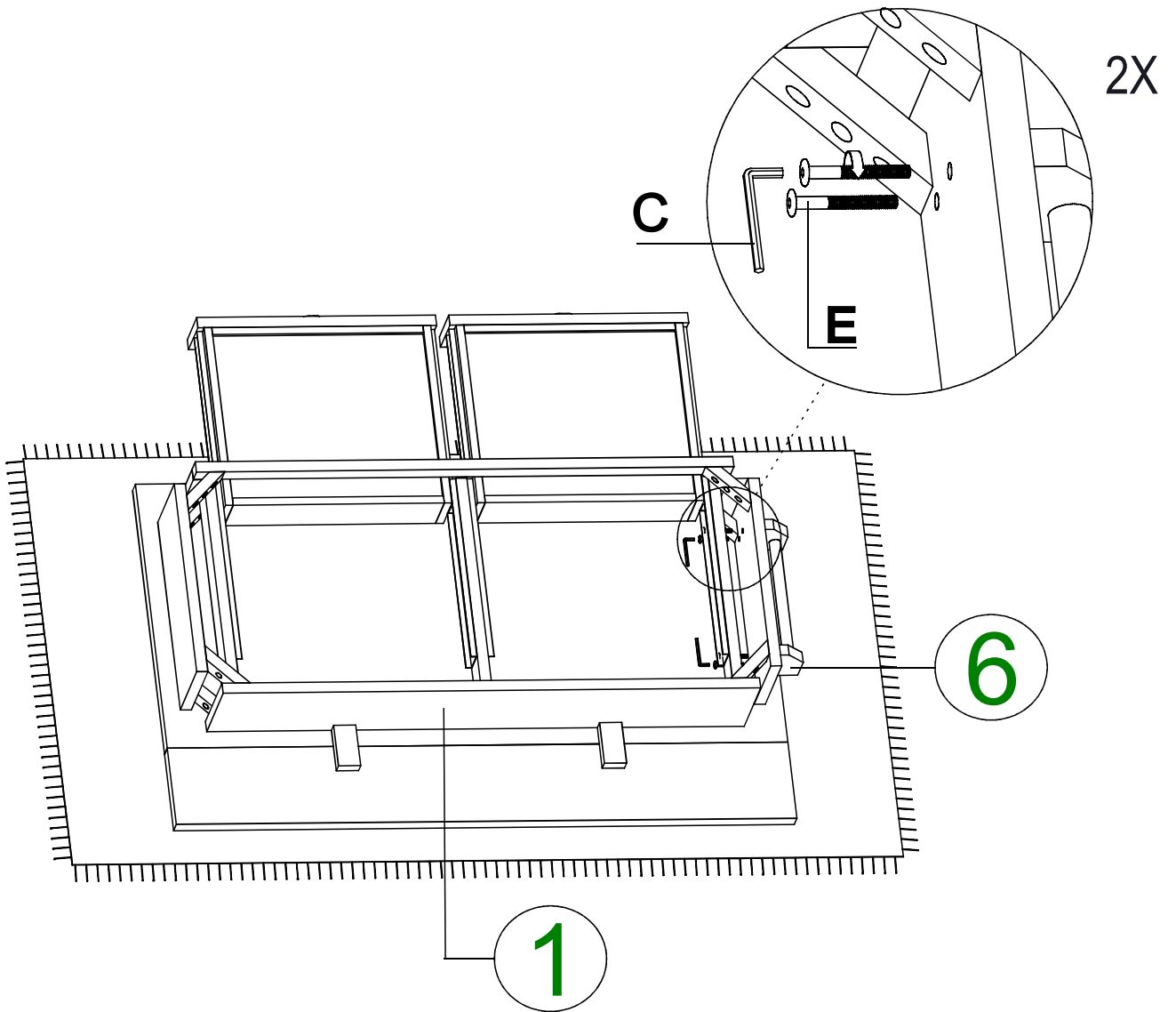
PARTS

① (x1)		② (x1)	
Top with Drawers:		Middle shelf:	
			
③ (x1)	④ (x2)		⑤ (x2)
Bottom shelf:	Left leg:		Right leg:
			
⑥ (x1)	⑦ (x2)		⑧ (x2)
Rack:	Caster:		Caster with lock:
			

HARDWARE

Ⓐ (x16)	Ⓑ (x8)	Ⓒ (x1)	Ⓓ (x1)	Ⓔ (x4)	Ⓕ (x8)	Ⓖ (x8)
						
Wood Nut	Flat Washer M6x16	Allen Wrench	Wrench K13	Bolt M6x35	Bolt M6x50	Bolt M6x60

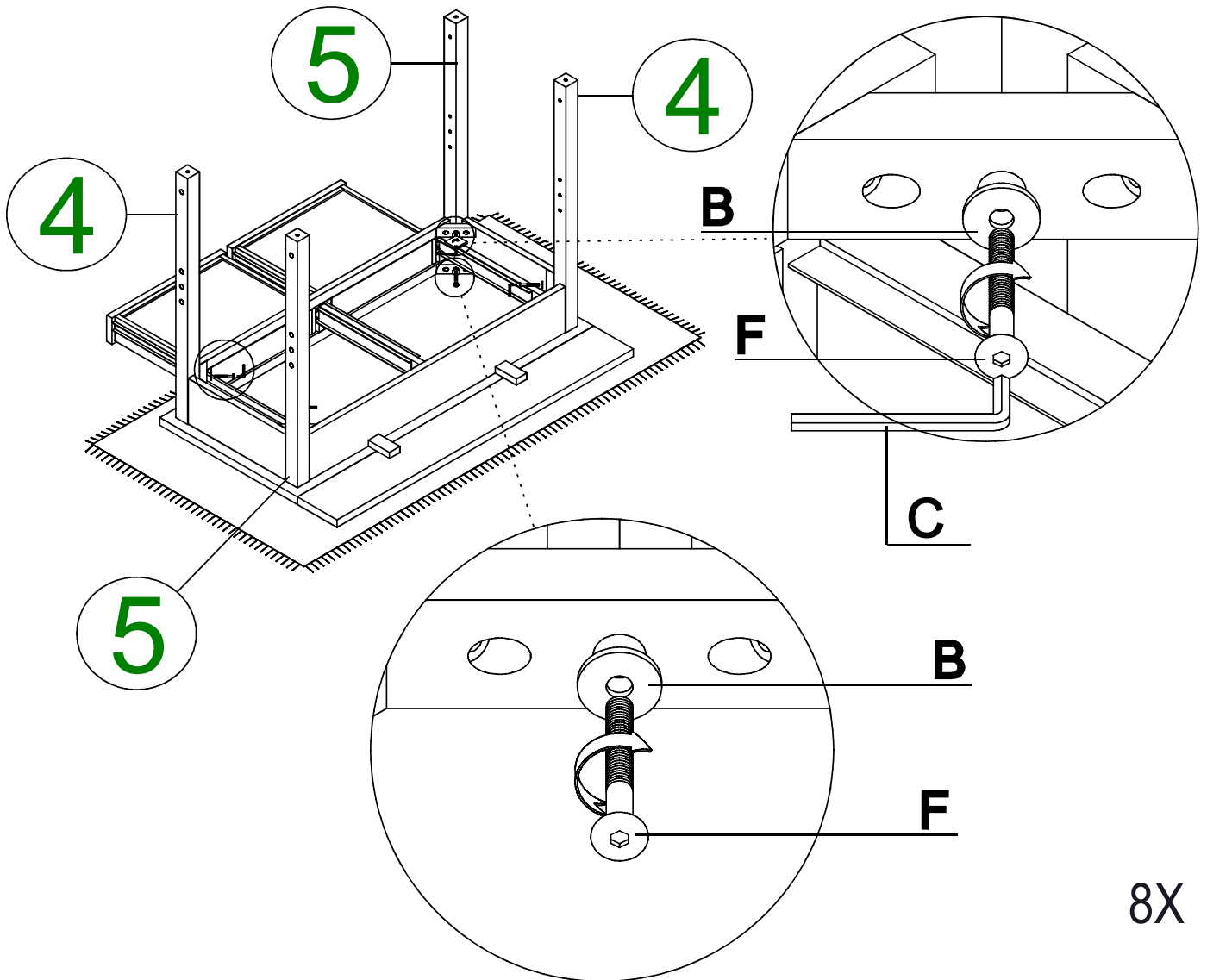
01



Hardware	Count
E	4
C	1

TIGHTEN BOLT COMPLETELY.

02



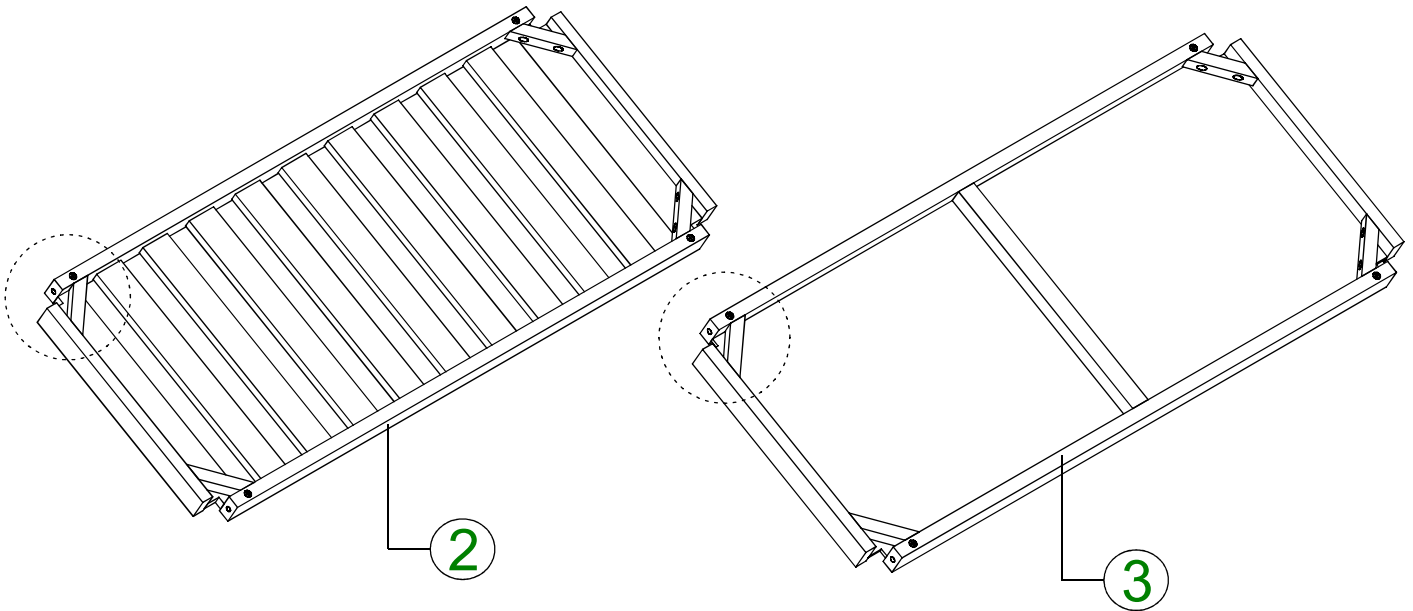
8X

Hardware	Count
B	8
F	8
C	1

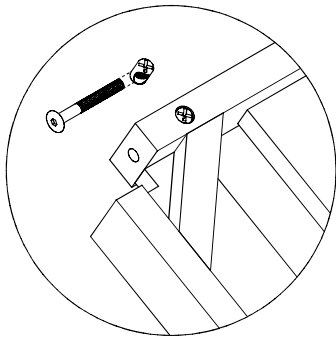
DO NOT TIGHTEN BOLT COMPLETELY.

03

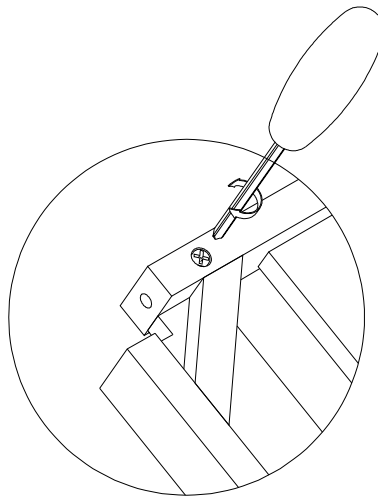
1. Make sure the insert nuts are in the correct position before assembling.
2. You will need a screwdriver to turn the nuts into the correct position as shown below.



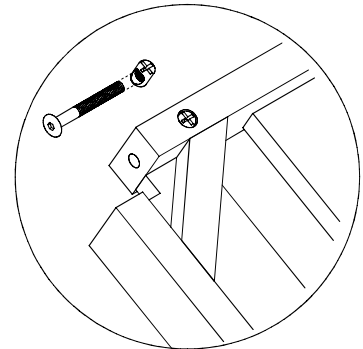
X



Incorrect



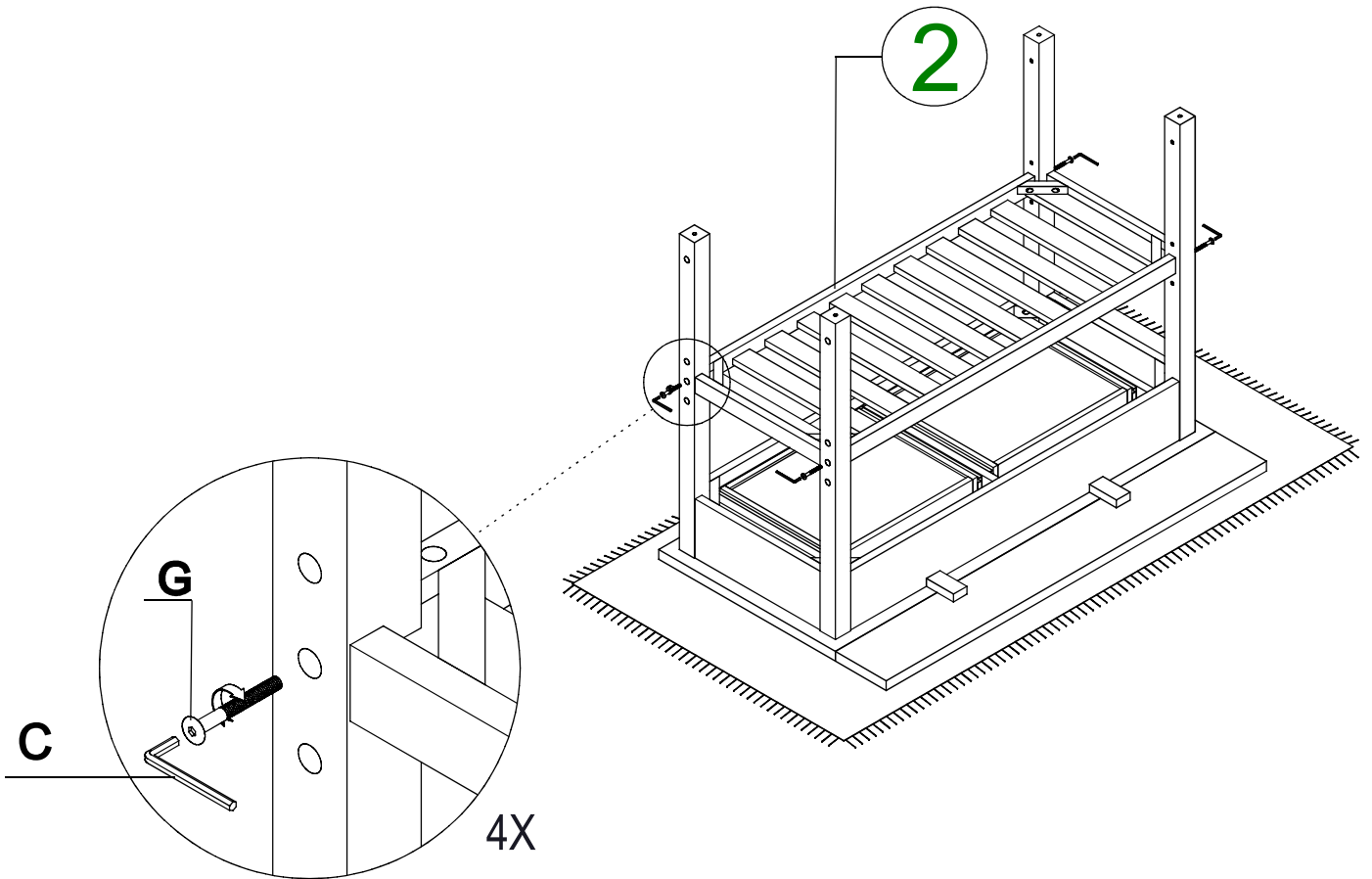
ok



Correct

This is to prepare for step 04

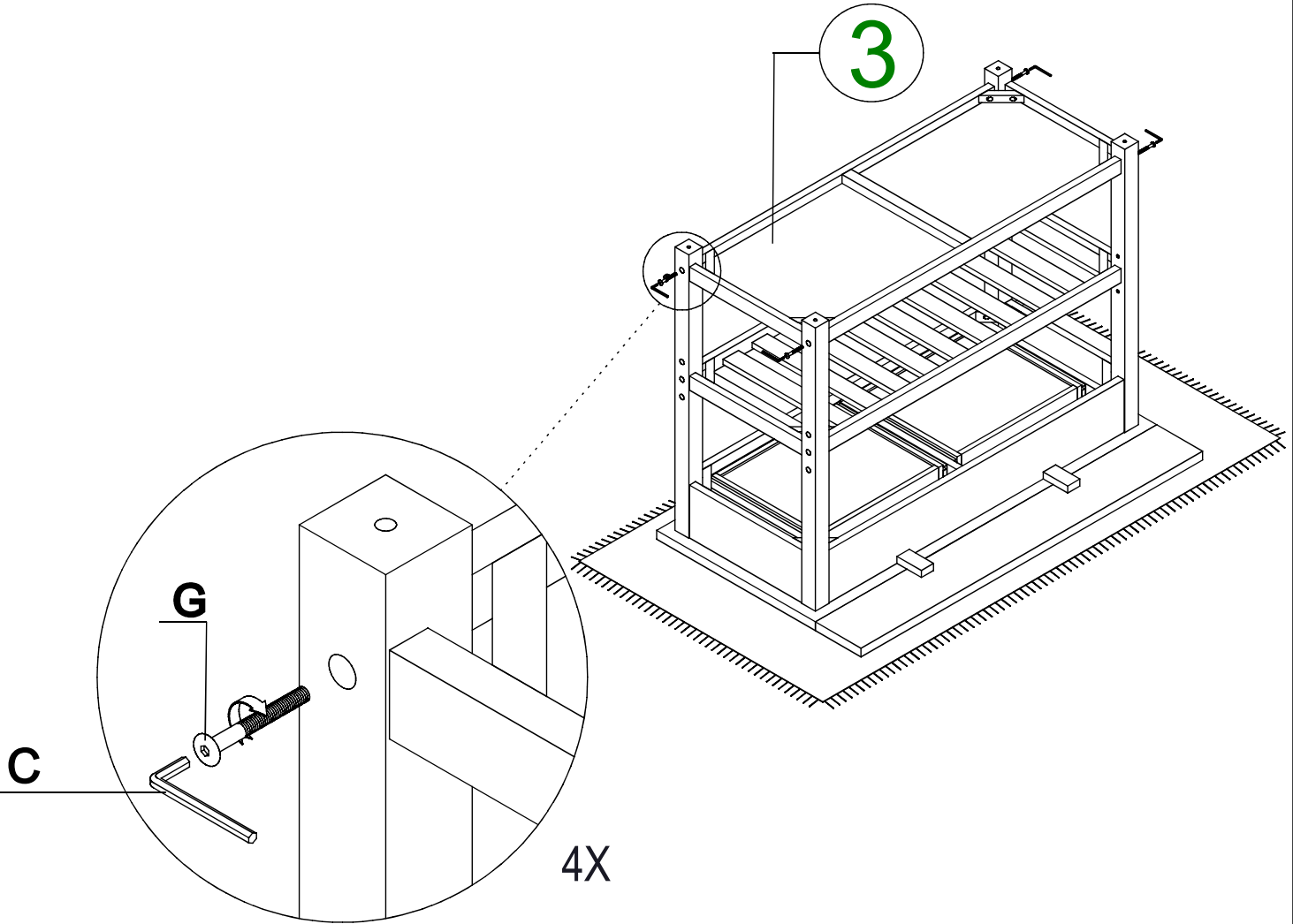
04



Hardware	Count
G	4
C	1

DO NOT TIGHTEN BOLT COMPLETELY.

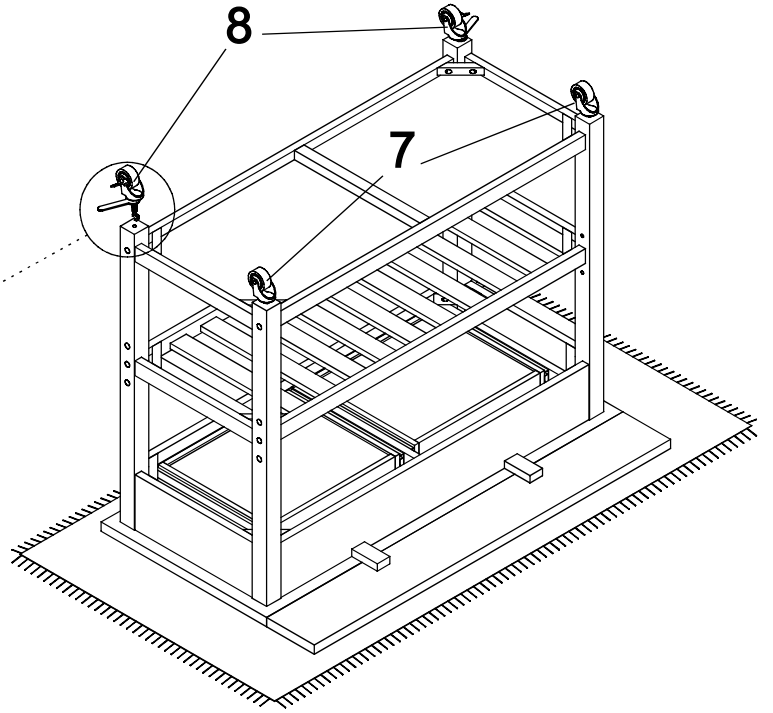
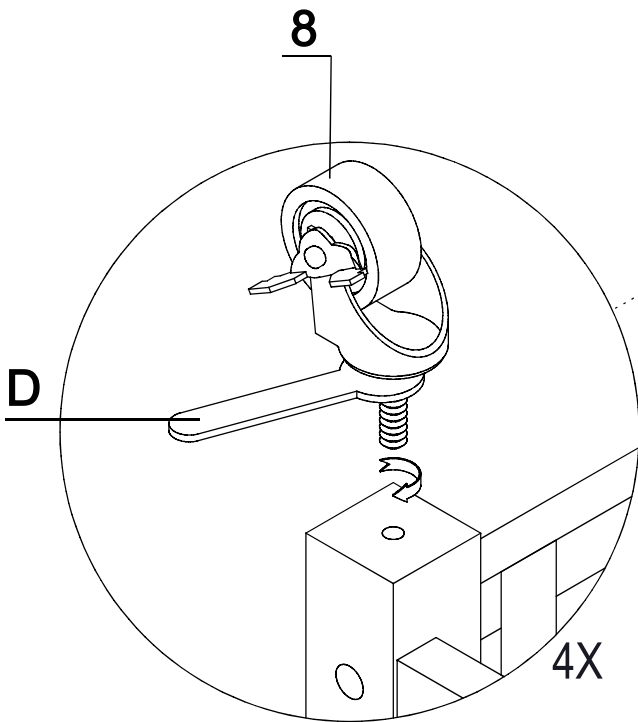
05



Hardware	Count
G	4
C	1

TIGHTEN BOLT COMPLETELY.

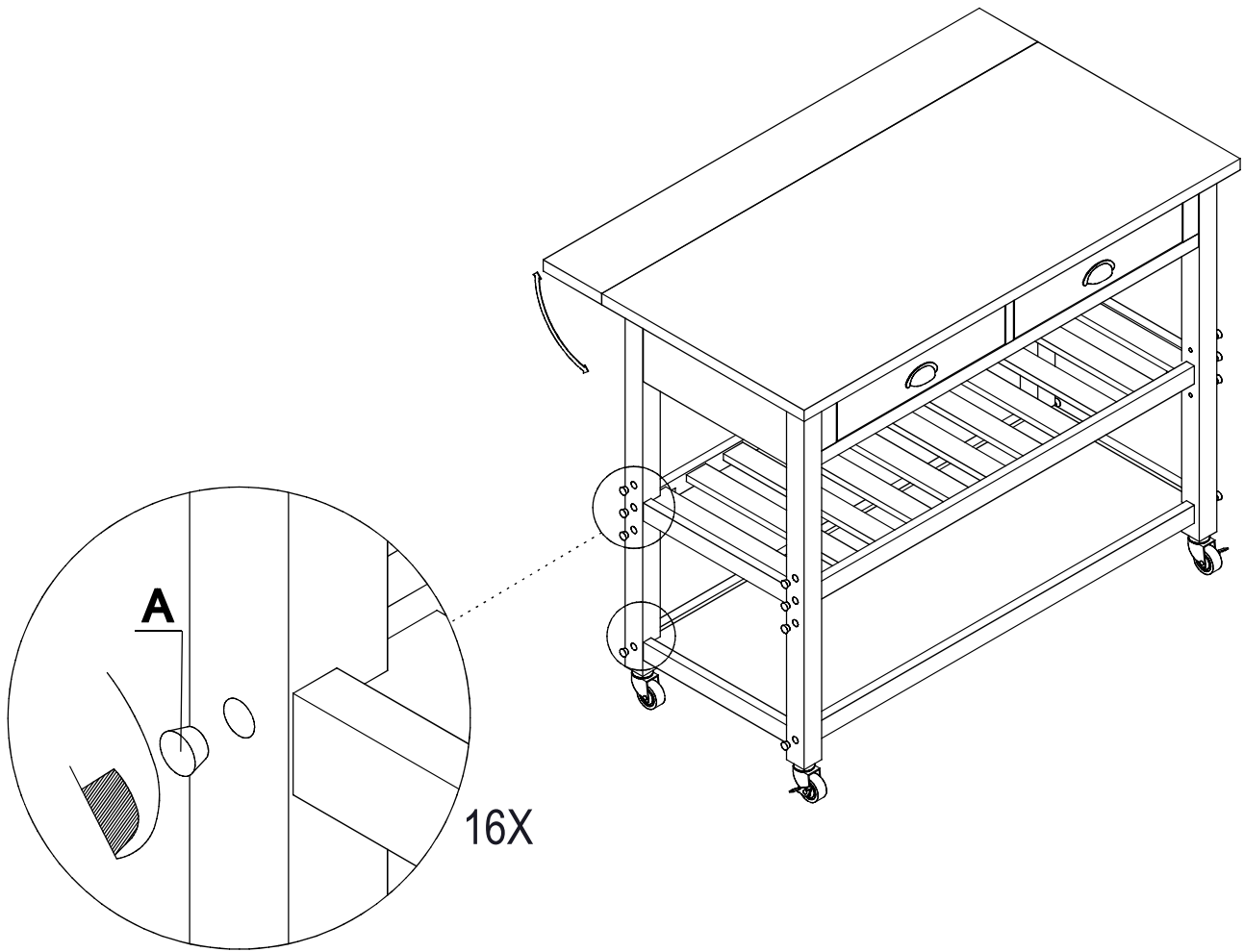
06



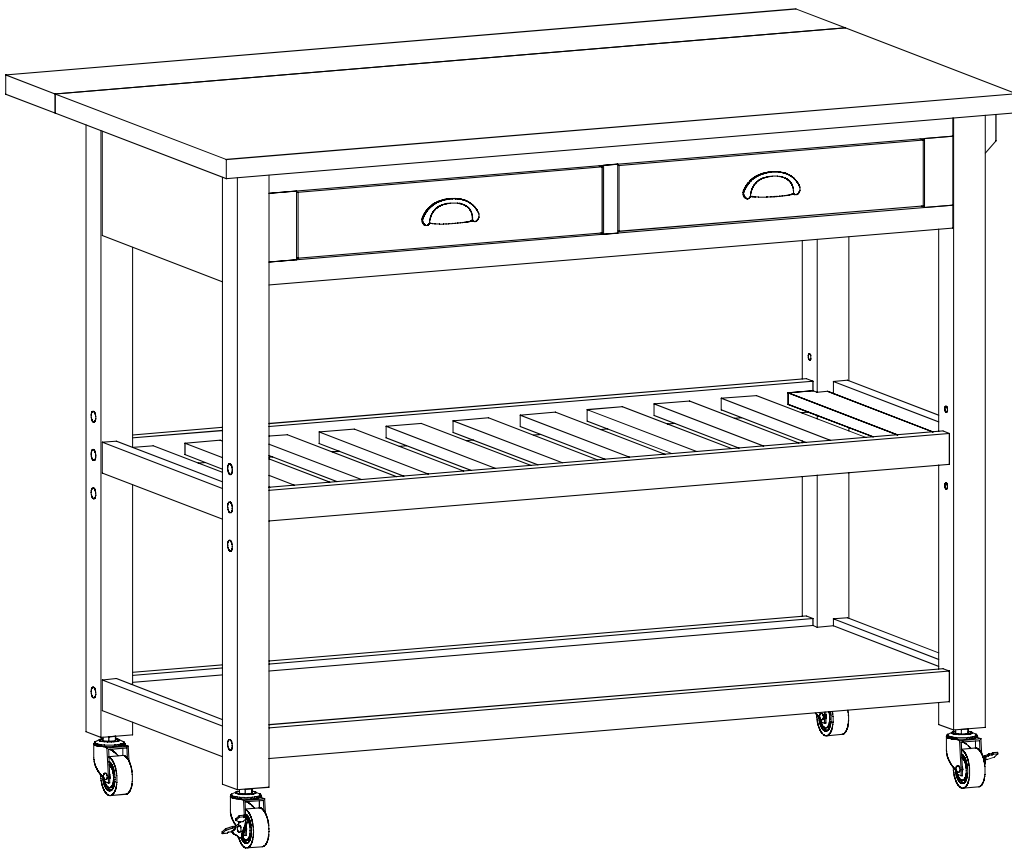
Hardware	Count
D	1

TIGHTEN BOLT COMPLETELY.

07



Hardware	Count
A	16



Weight Capacity

BE SURE TO CHECK ALL BOLTS ARE SECURELY TIGHTENED PRIOR TO USE.

847-949-6300 | 877-267-2261 | customerservice@boraamindustries.com