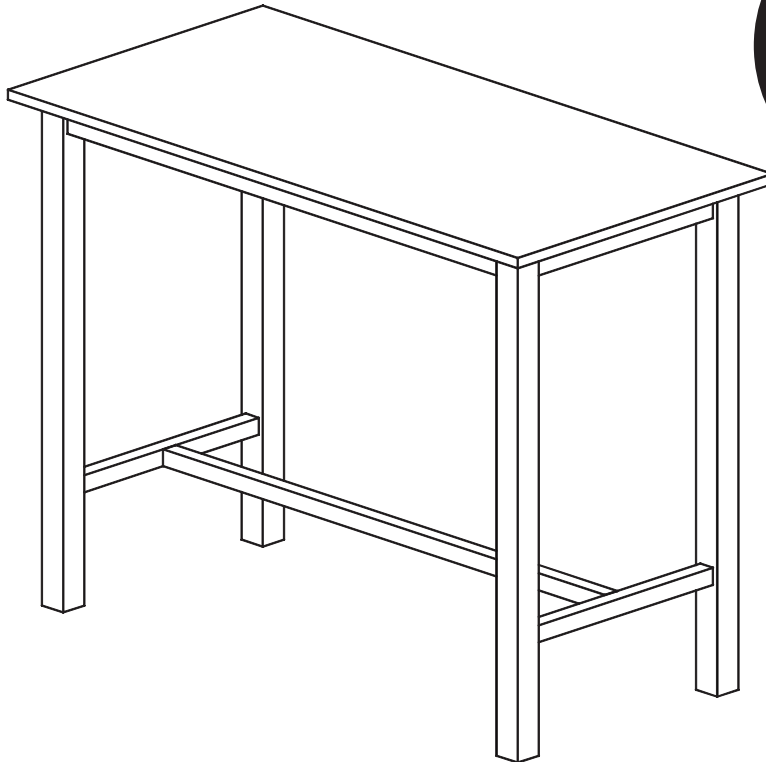




Boraam Industries

ASSEMBLY INSTRUCTIONS

SKU: 75026,75126,75226,75326 | SONOMA PUB TABLE



Weight Capacity



Locate the **HARDWARE PACK** which is attached to the shipping carton with red tape.

01/2024



Have questions about assembling your item?



Items or parts damaged?



Missing a part?

We're here to help! (Monday-Friday from 9am-5pm CST)



847-949-6300
877-267-2261



customerservice@
boraamindustries.com



www.boraamindustries.com



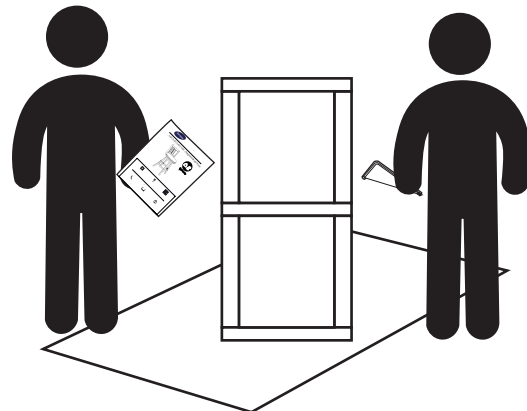
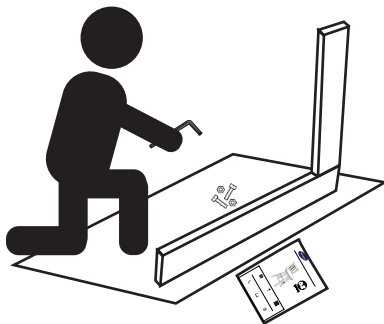
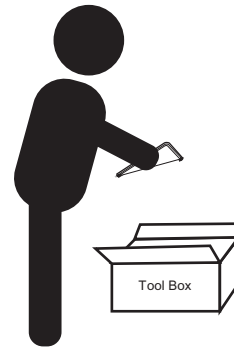
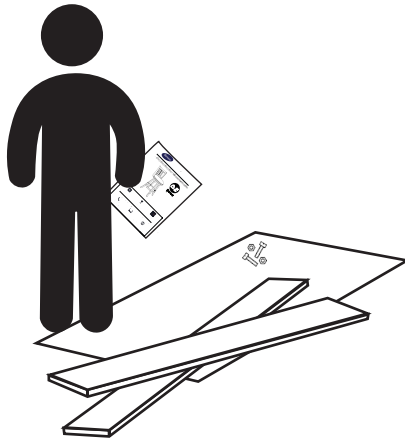
Philips screwdriver
not included.

Assembly And Care

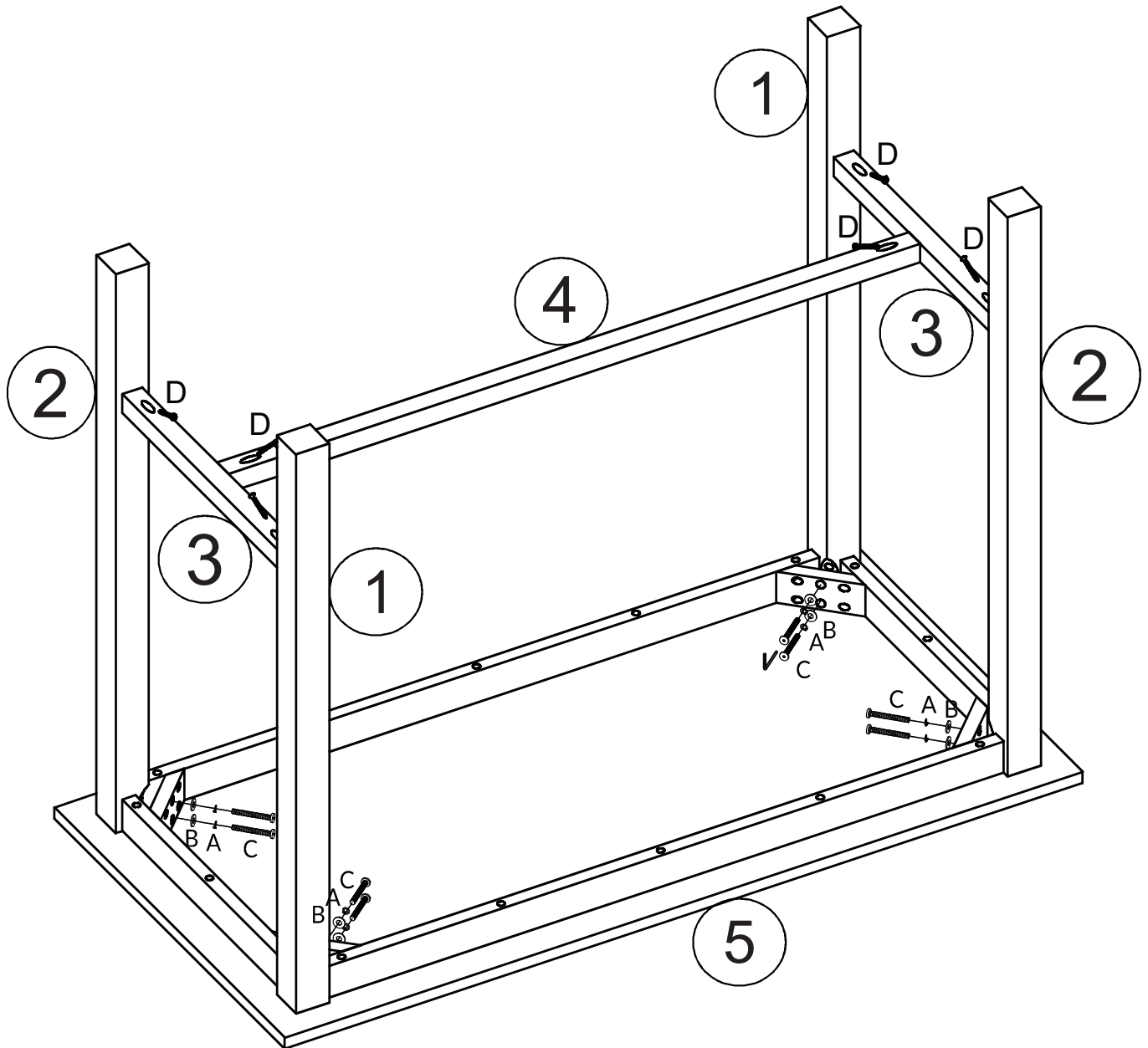
- All tools required for assembly are included unless noted.
- Prior to assembly, check for missing or damaged parts.
- Do not dispose of packing materials until assembly is completed.
- Assemble item on a soft, clean surface to prevent damage to the item.
- Periodically check hardware and re-tighten as necessary.



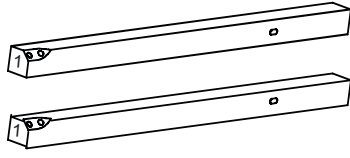
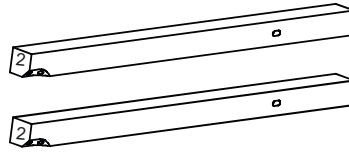
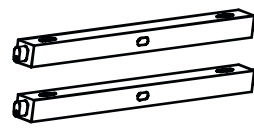
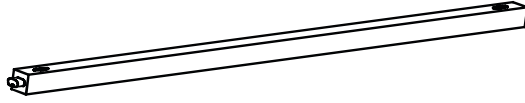
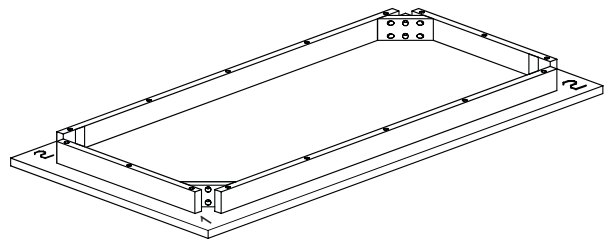
Locate the
HARDWARE PACK
which is attached to the
shipping carton with red
tape.



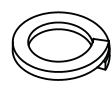
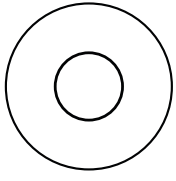
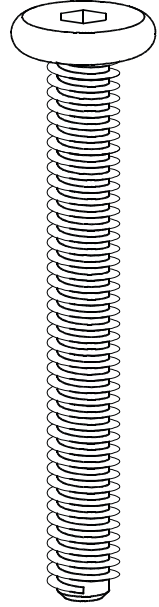
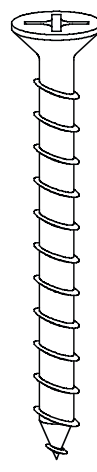
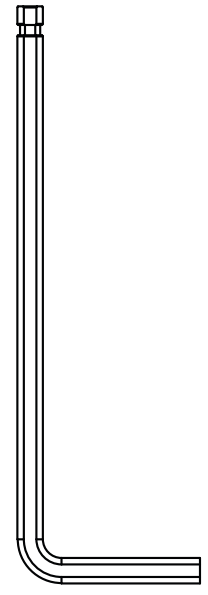
Assembly Overview



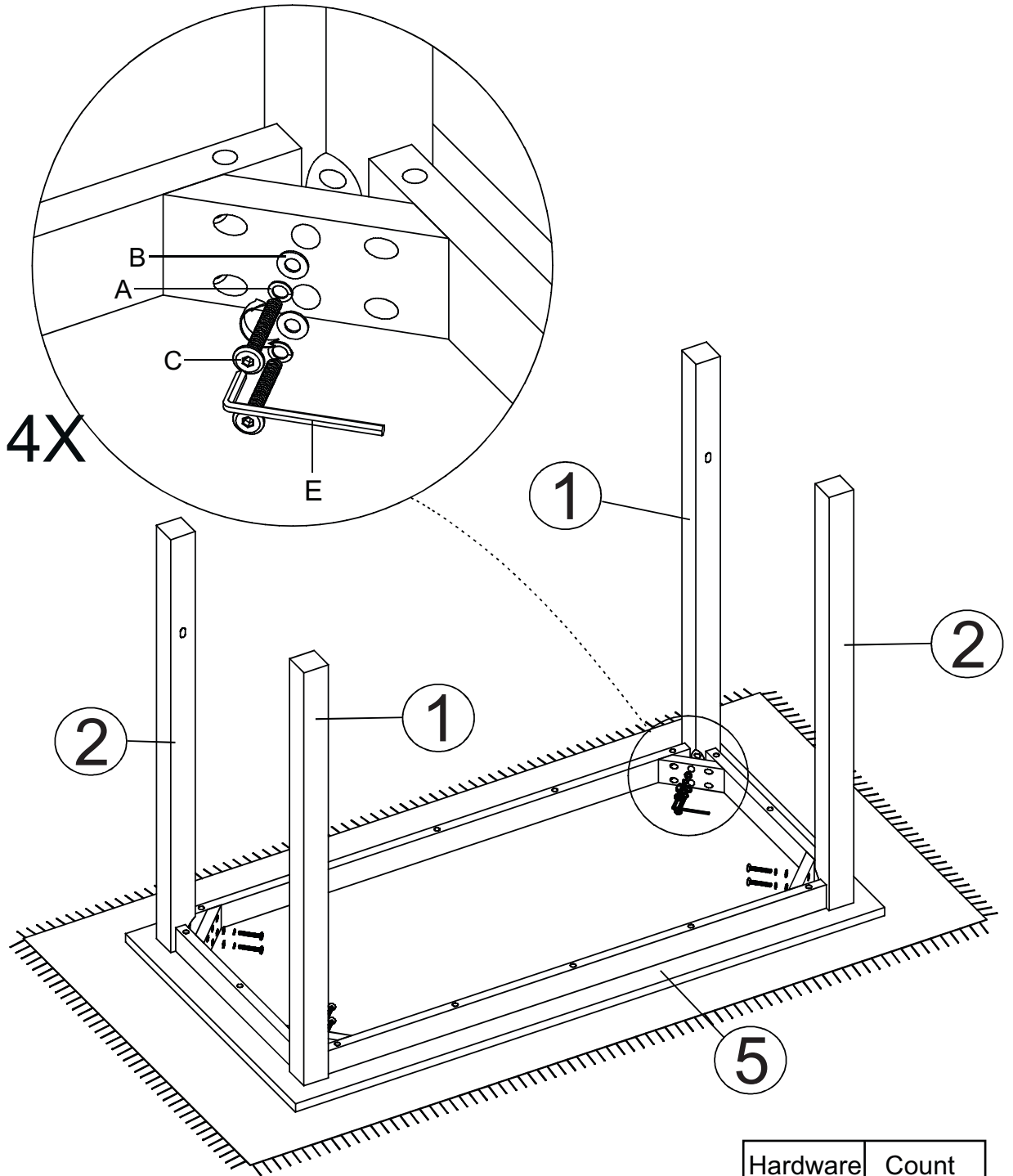
PARTS

<p>① (x1)</p>	<p>② (x1)</p>	<p>③ (x1)</p>
<p>Right Leg:</p> 	<p>Left Leg:</p> 	<p>Short Stretcher:</p> 
<p>④ (x1)</p>		<p>⑤ (x1)</p>
<p>Long Stretcher:</p> 		<p>Top Panel:</p> 

HARDWARE

<p>Ⓐ (x8)</p>	<p>Ⓑ (x8)</p>	<p>Ⓒ (x8)</p>	<p>Ⓓ (x6)</p>	<p>Ⓔ (x1)</p>
				
<p>Spring Washer</p>	<p>Flat Washer</p>	<p>Bolt M8x70</p>	<p>Screw M4x50</p>	<p>Allen Wrench</p>

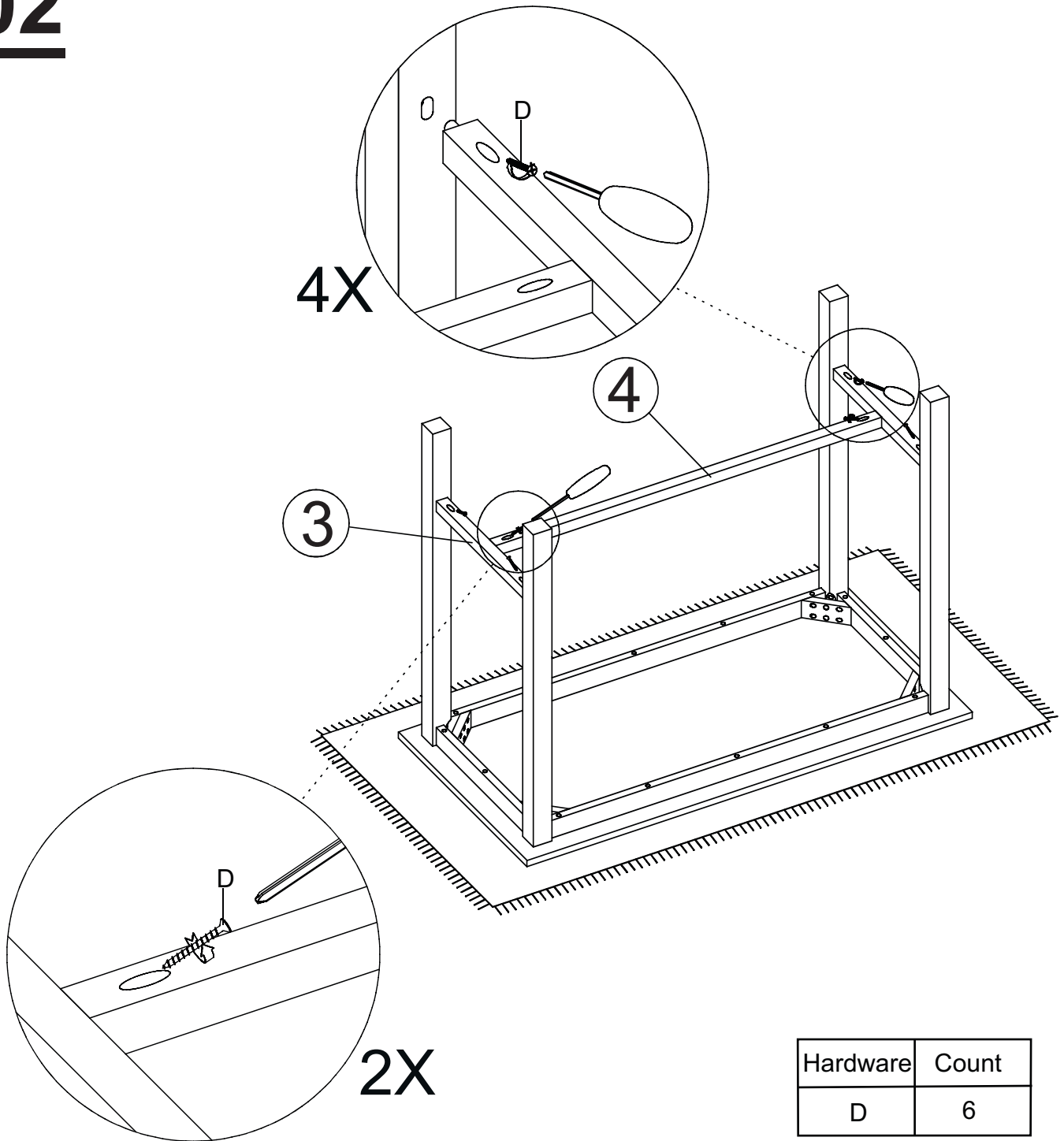
01



Hardware	Count
A	8
B	8
C	8
E	1

DO NOT TIGHTEN BOLT COMPLETELY.

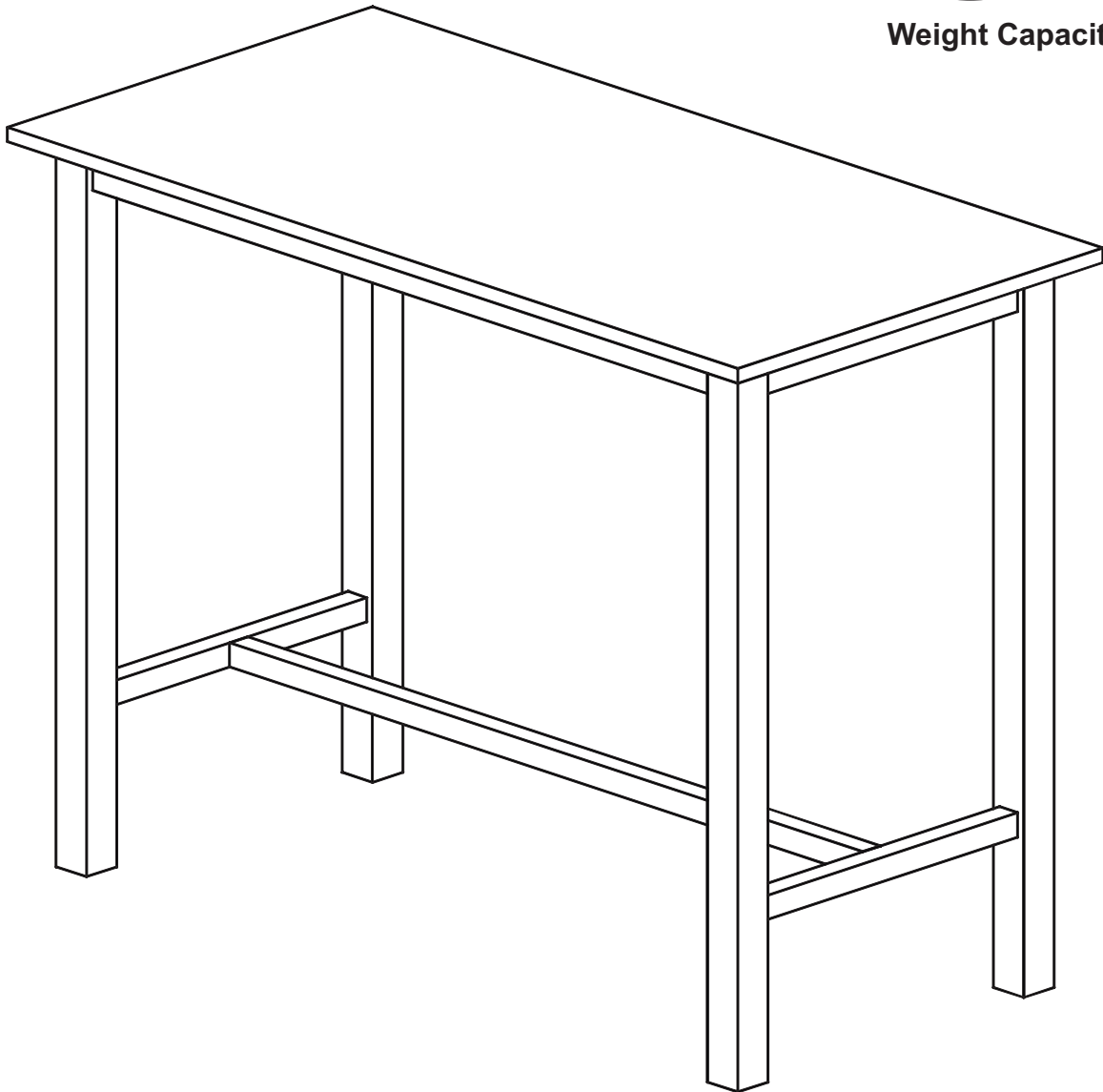
02



TIGHTEN BOLT AND SCREW COMPLETELY.



Weight Capacity



BE SURE TO CHECK ALL BOLTS ARE SECURELY TIGHTENED PRIOR TO USE.

847-949-6300 | 877-267-2261 | customerservice@boraamindustries.com