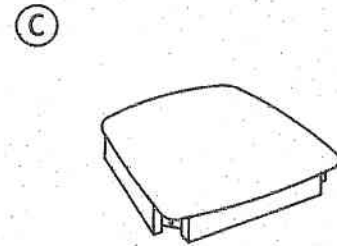
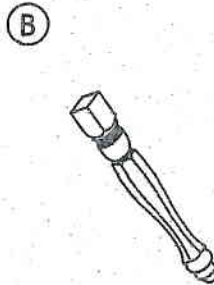
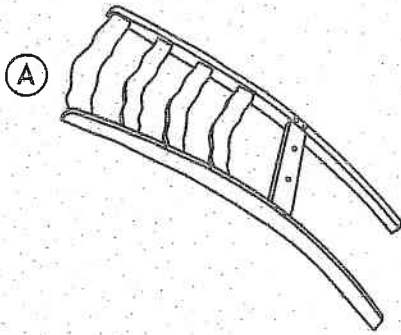


# ASSEMBLY INSTRUCTIONS

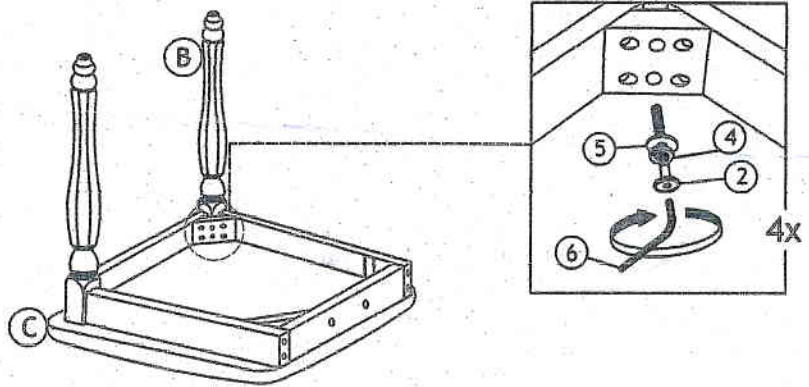
Read this instruction carefully. Refer hardware and furniture parts list for guidance. Be sure all parts are complete, before assembling. Place all wooden furniture part on a clean and flat soft surface to prevent scratches. Refer steps provided as assembling guide.

PART LIST		
ITEM	DESCRIPTION	QTY
A	Backrest	1 PC
B	Front Leg	2 PCS
C	Box Seat c/w Cushion	1 PC

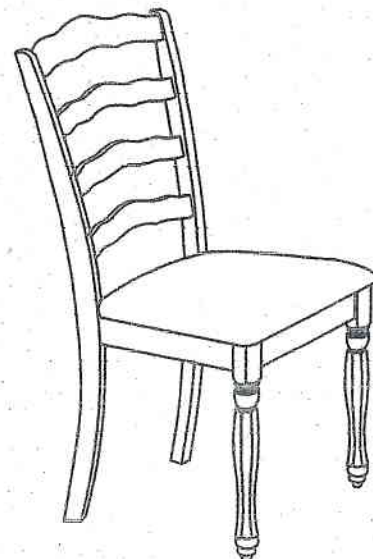
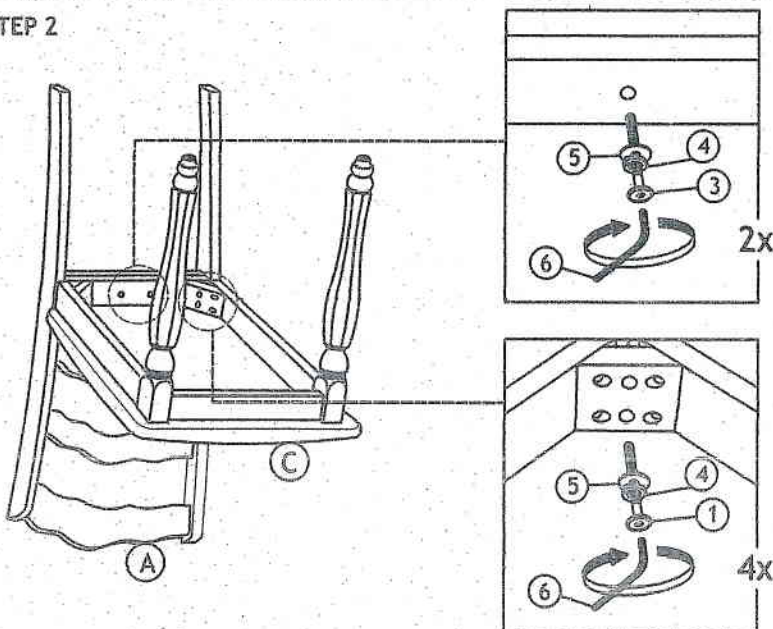
HARDWARE LIST		
ITEM	DESCRIPTION	QTY
1	JCBC Screw M6 x 80mm	4 PCS
2	JCBC Screw M6 x 60mm	4 PCS
3	JCBC Screw M6 x 35mm	2 PCS
4	Spring Washer M6 x 13mm	10 PCS
5	Flat Washer M7 x 19mm	10 PCS
6	Allen Key M4 x 55	1 PC



## STEP 1



## STEP 2



COMPLETED ASSEMBLY