







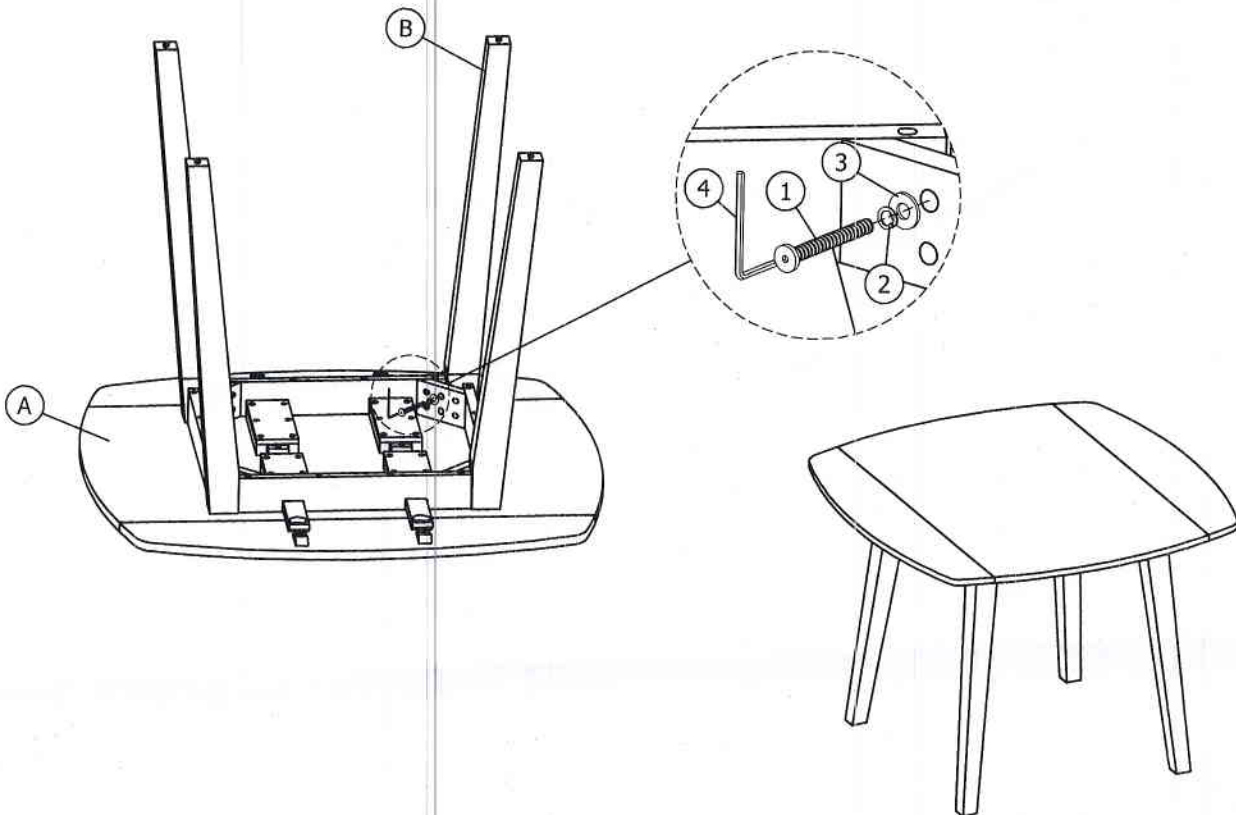
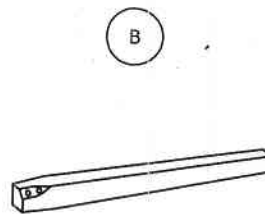
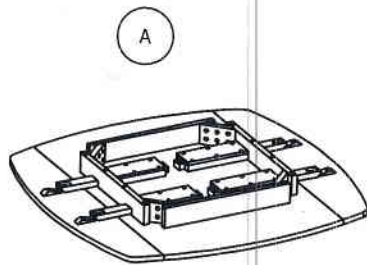
Boraam Industries

BOULDER TABLE ASSEMBLY INSTRUCTIONS

- Tools Included
- Do not throw away packaging materials until assembly is complete
- Assemble this item on soft, clean surface to protect the product
- Proper assembly requires 2 people
- Make sure all parts are included prior to assembling

PART LIST		
ITEM	DESCRIPTION	QTY
A	Table Top with Apron	1 PC
B	Table Leg	4 PCS

HARDWARE LIST		
ITEM	DESCRIPTION	QTY
1	JCBC Screw M8 x 70mm 	8 PCS
2	Spring Washer M8 x 14mm 	8 PCS
3	Flat Washer M8 x 22mm 	8 PCS
4	Allen key M4 x 5.5 	1 PC



ASSEMBLY COMPLETE