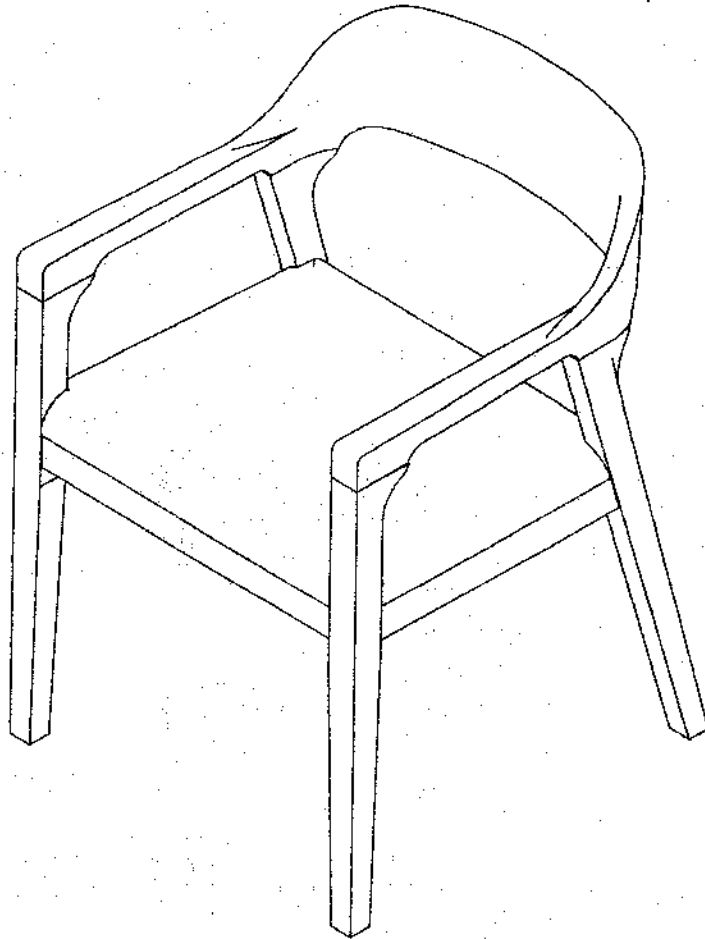




Boraam Industries

ASSEMBLY INSTRUCTIONS

SKU: 77317,77318 | RASMUS DINING ARM CHAIR



Have questions about assembling your item?



Items or parts damaged?



Missing a part?

We're here to help! (Monday-Friday from 9am-5pm CST)



847-949-6300



customerservice@



A

9PCS
M8*10

B

9PCS
M8*19

C

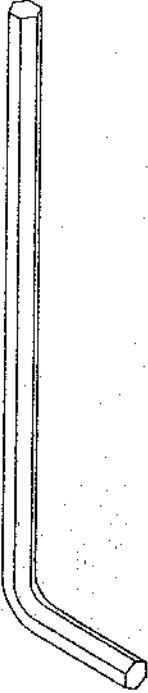
7PCS
M8*45

D

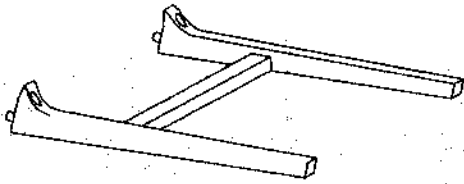
4PCS
M8*60

E

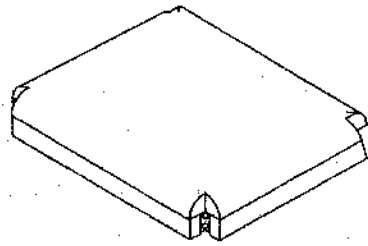
2PCS
M8*95

F

1PC
Alen Wrench
M4*110

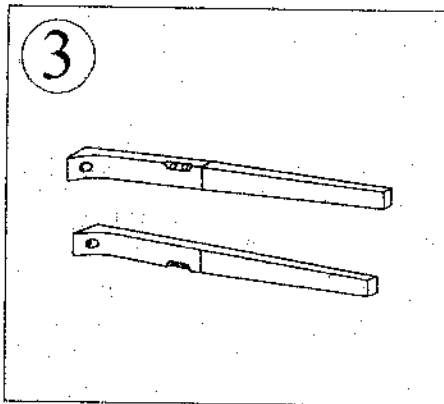
①



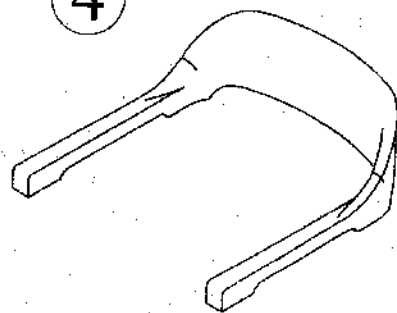
②






③

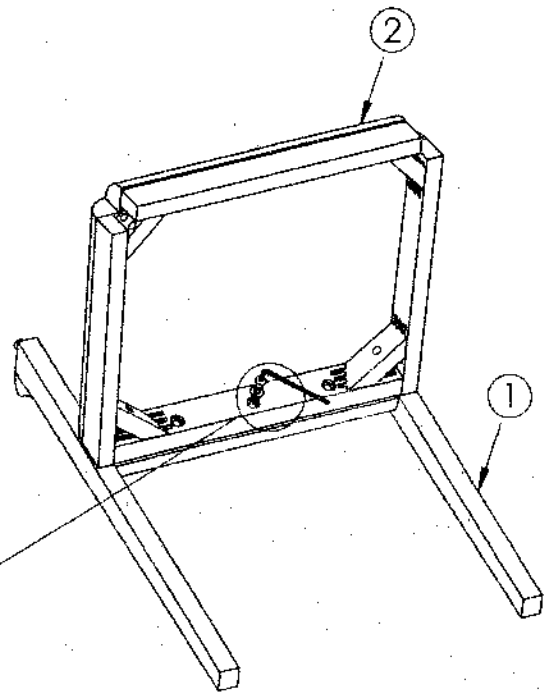
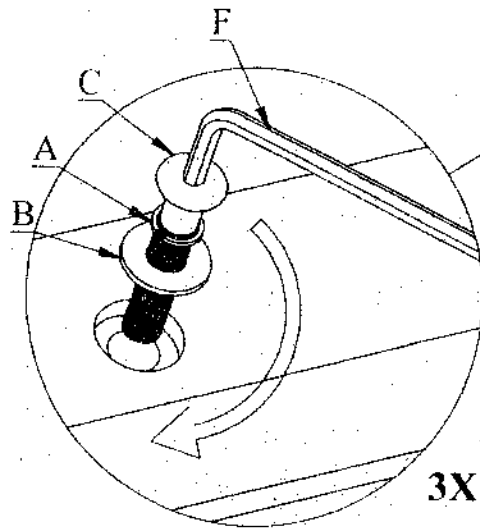


④






01

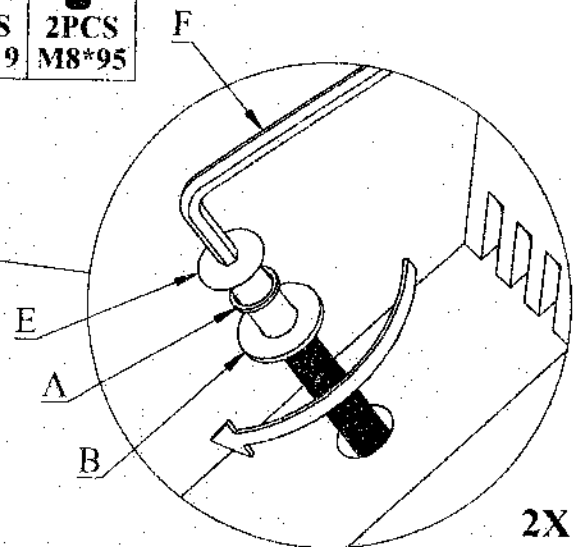
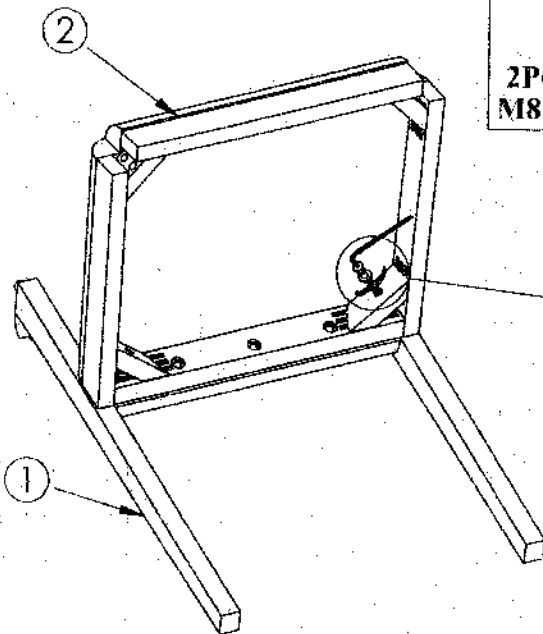
•		C
A	B	
		
3PCS M8*10	3PCS M8*19	3PCS M8*45



DO NOT TIGHTEN BOLT COMPLETELY




02

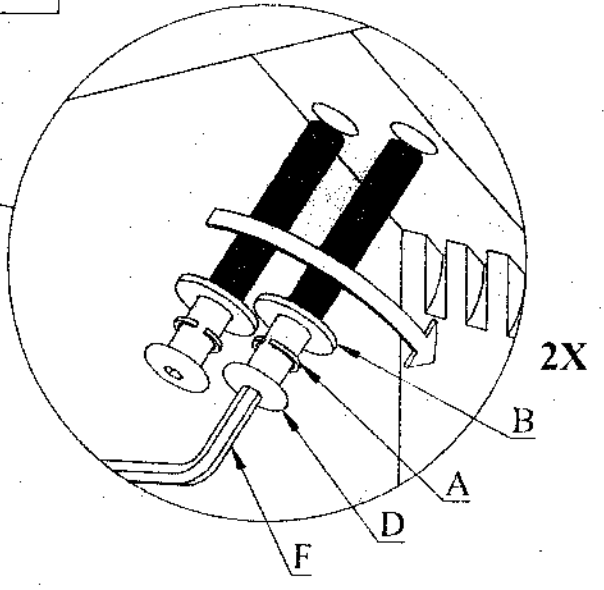
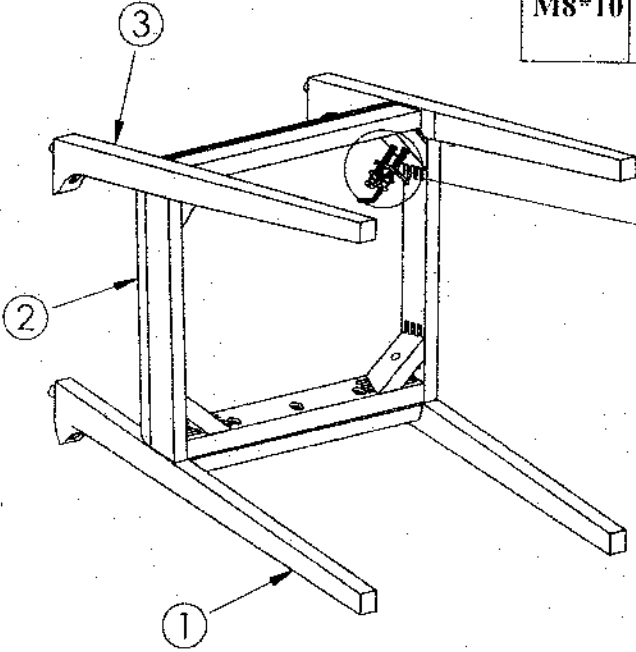
A	B	E
		
2PCS M8*10	2PCS M8*19	2PCS M8*95



DO NOT TIGHTEN BOLT COMPLETELY

03

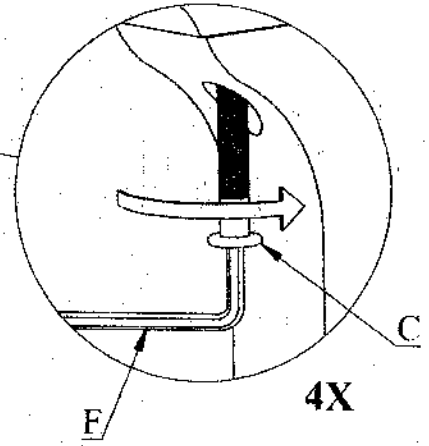
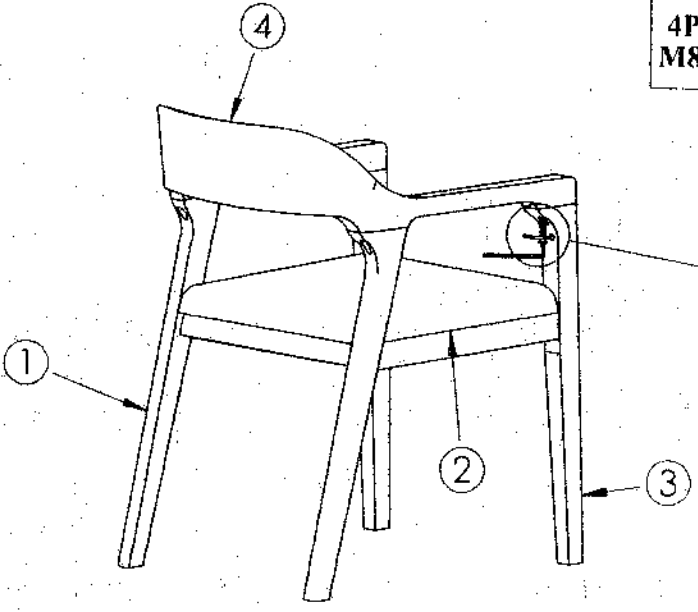
A 	B 	D 
4PCS M8*10	4PCS M8*19	4PCS M8*60



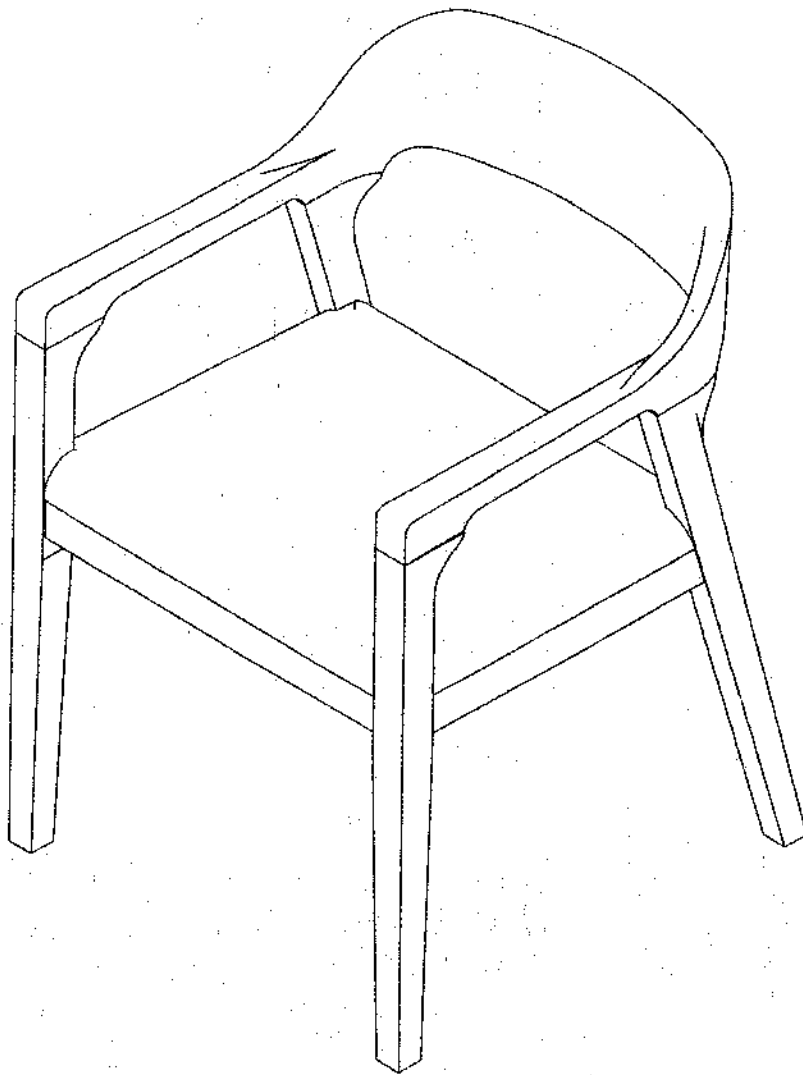
DO NOT TIGHTEN BOLT COMPLETELY

04

C 
4PCS M8*45



DO NOT TIGHTEN BOLT COMPLETELY



BE SURE TO CHECK ALL BOLTS SECURELY
TIGHTENED PRIOR USING THIS CHAIR