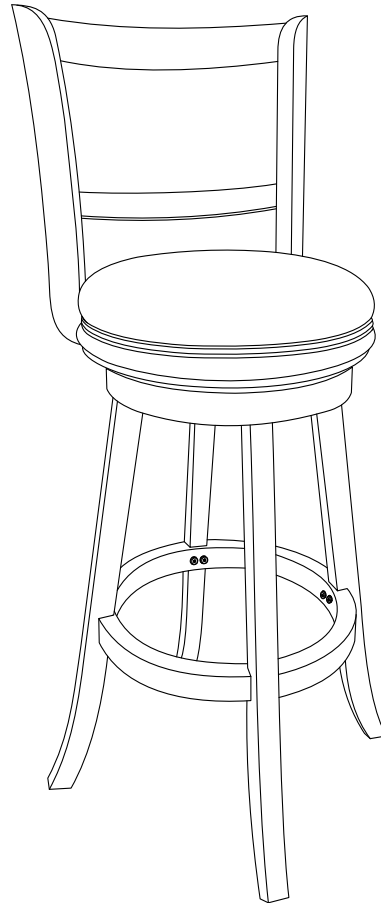




Boraam Industries

ASSEMBLY INSTRUCTIONS

SKU: 48834,49834,45834
AUGUSTA SWIVEL EXTRA TALL STOOL



Have questions about
assembling your item?



Items or parts damaged?



Missing a part?

We're here to help! (Monday-Friday from 9am-5pm CST)



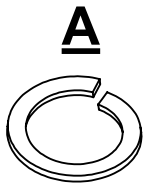
847-949-6300
877-267-2261



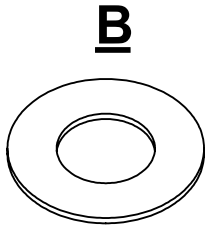
customerservice@
boraamindustries.com



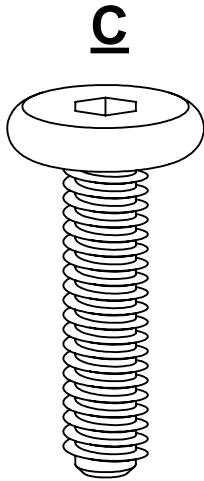
www.boraamindustries.com



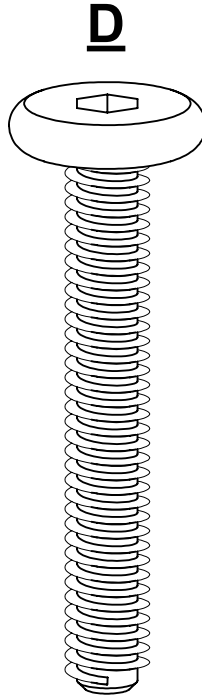
M6x13:18 PCS



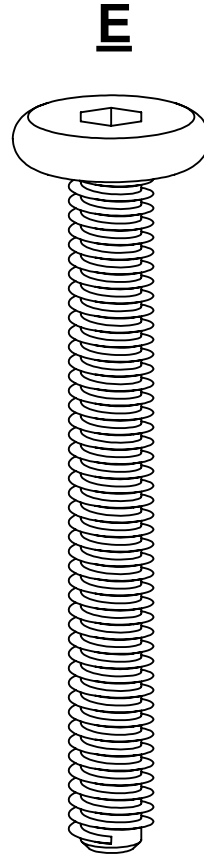
M6x16:22 PCS



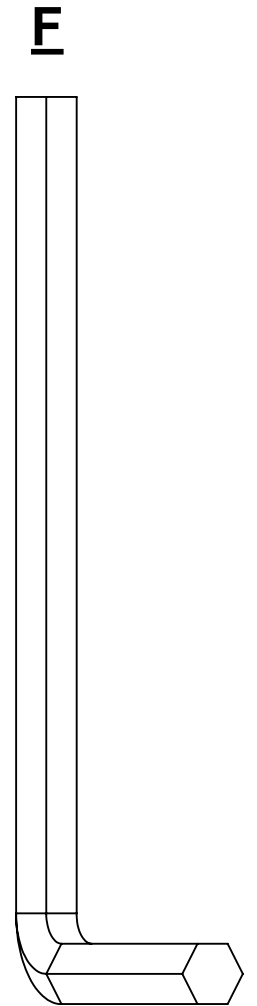
M6x25:4 PCS



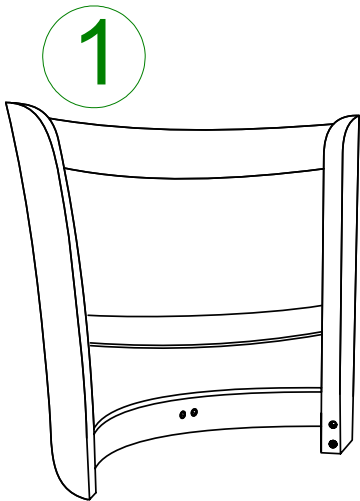
M6x40:12 PCS



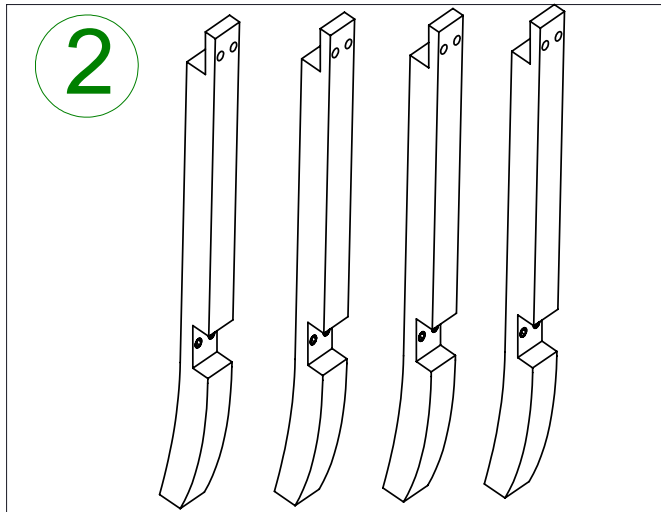
M6x50:6 PCS



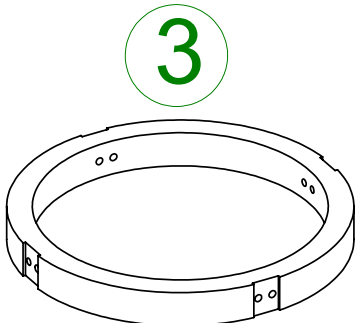
Allen Wrench:1 PC



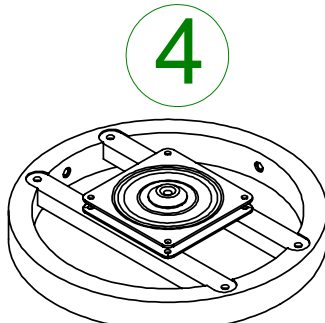
1



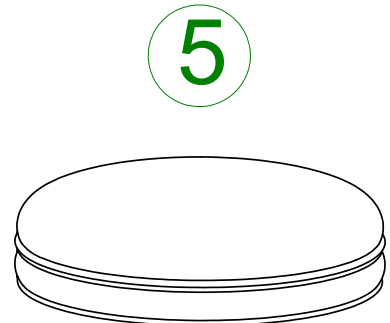
2



3

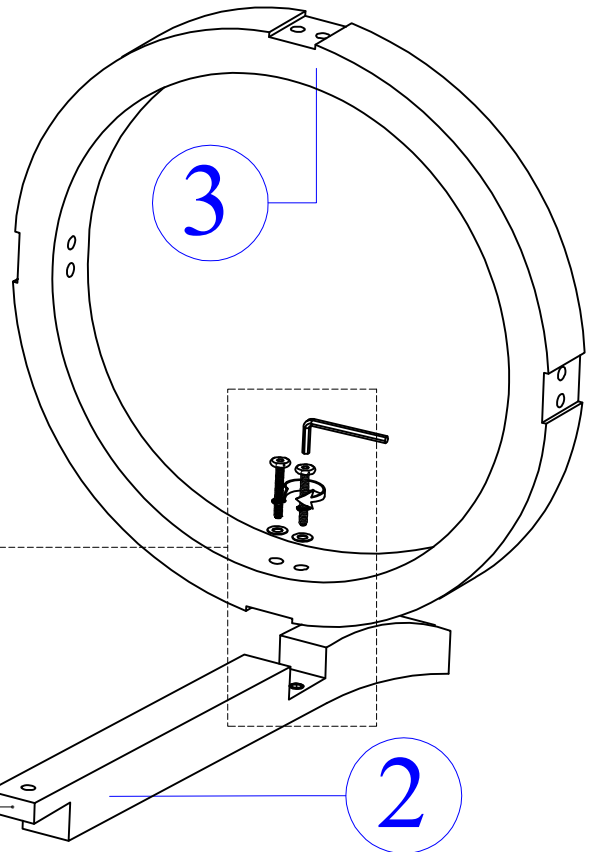
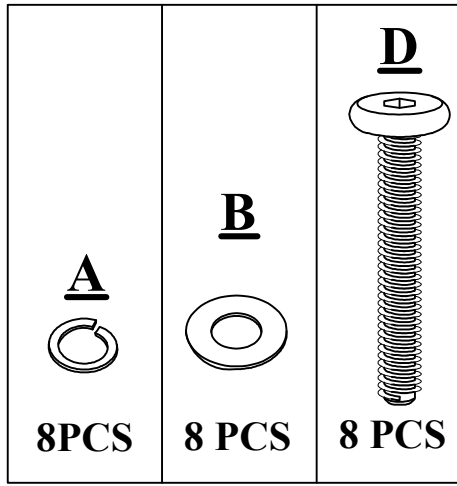
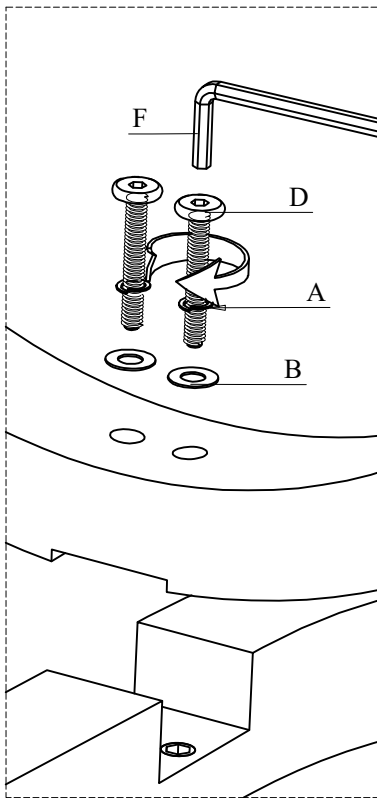


4



5

01

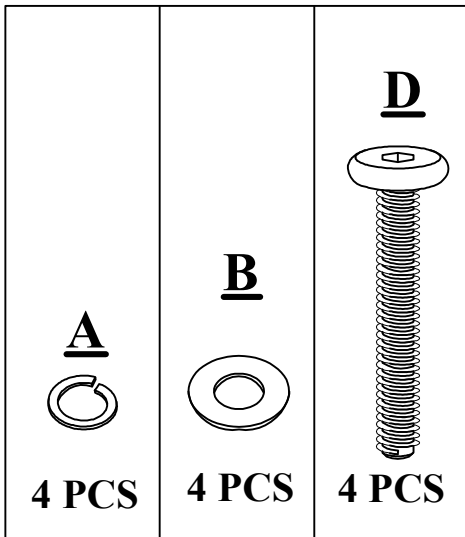


4X

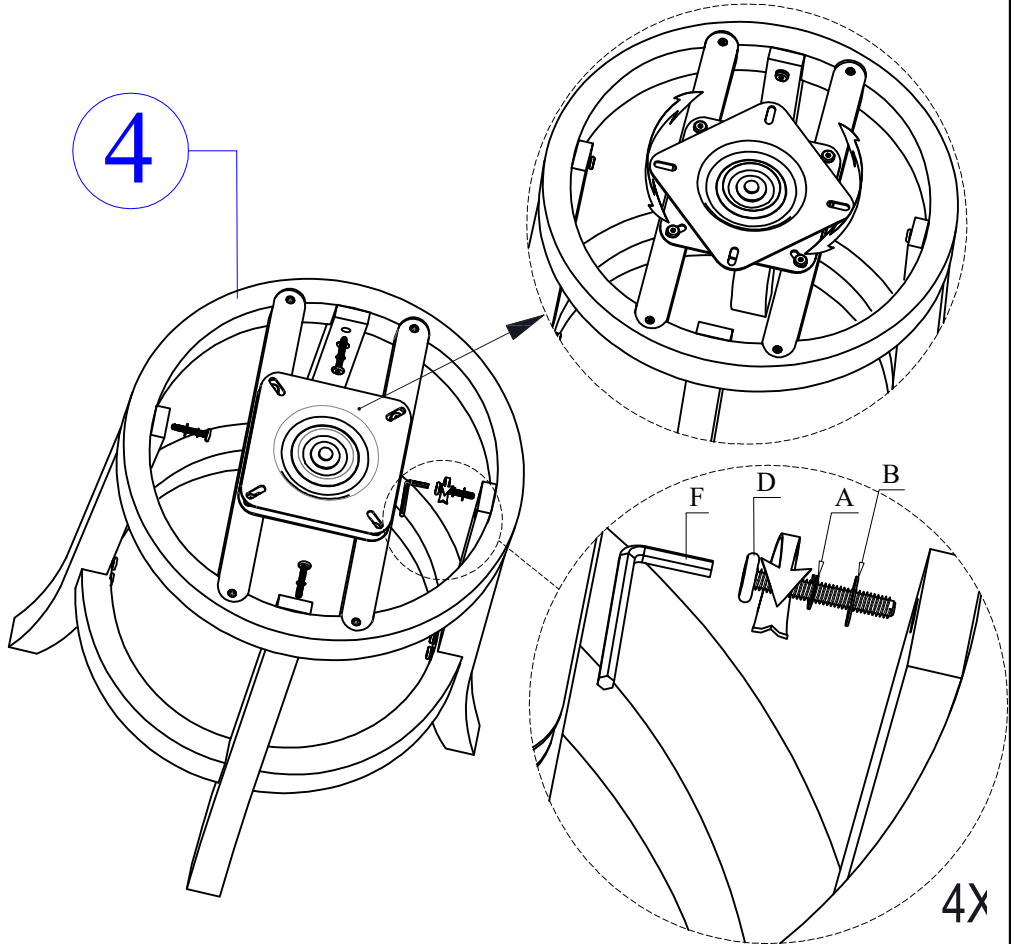
DO NOT TIGHTEN BOLT COMPLETELY.

Please make sure that the protective metal kick plate from Footrest (Part #3) is facing upwards.
Remove the white Tape from the protective metal kick plate before using.

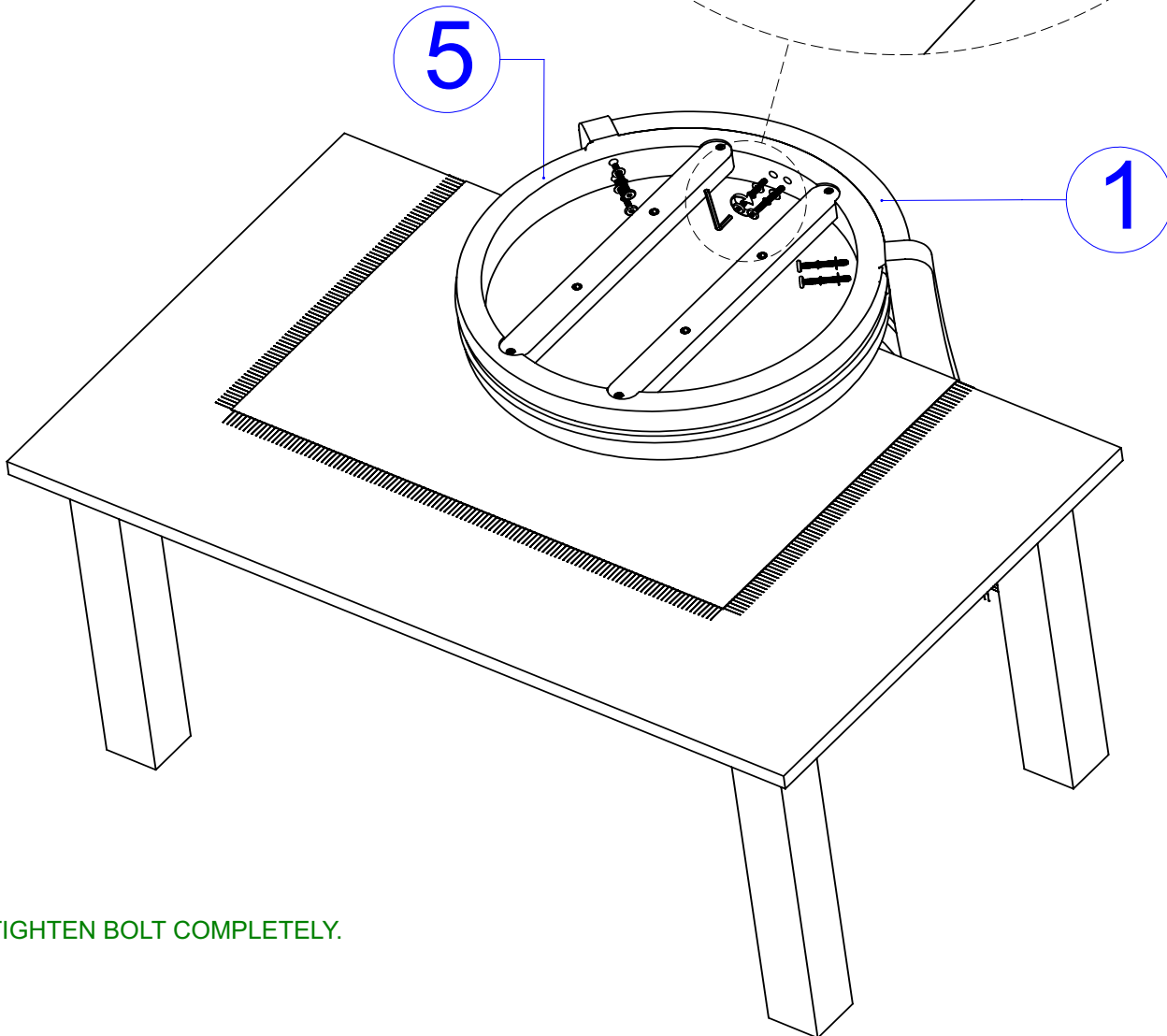
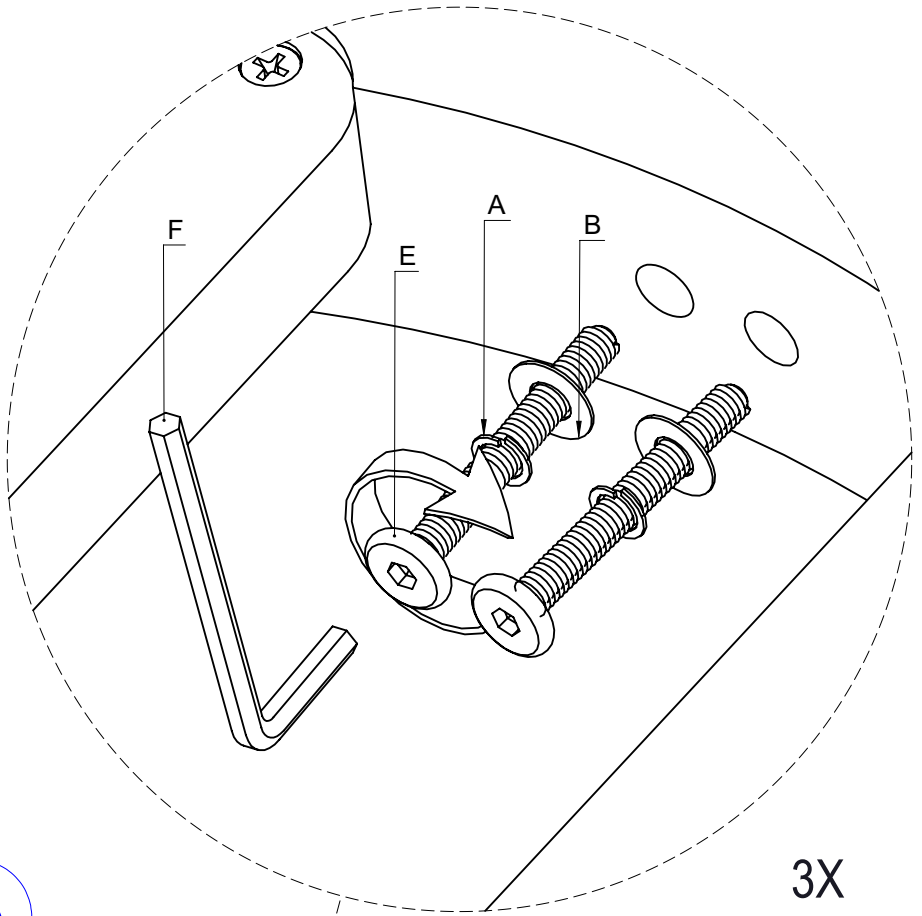
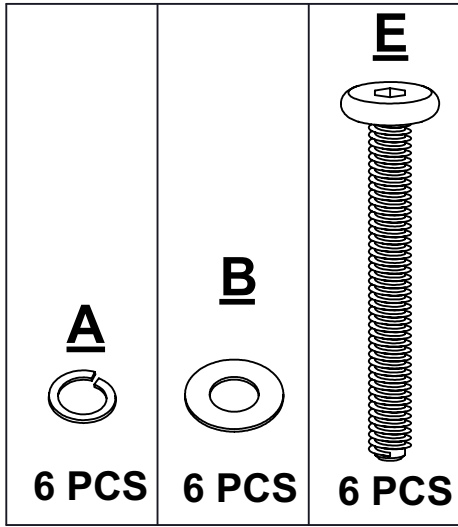
02



DO NOT TIGHTEN BOLT COMPLETELY.

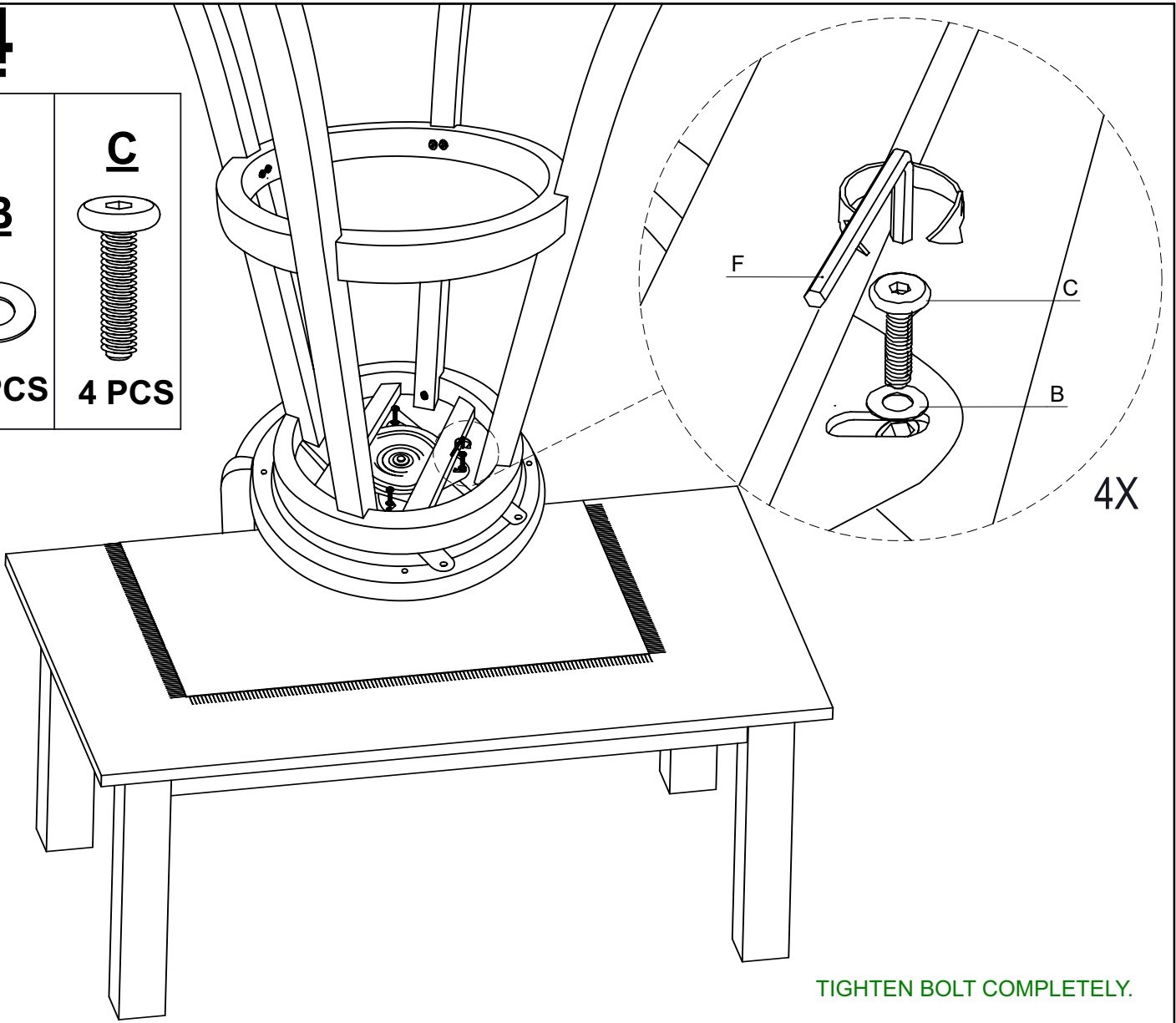
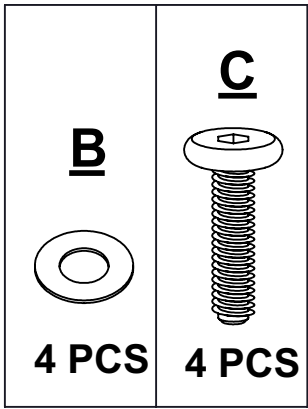


03

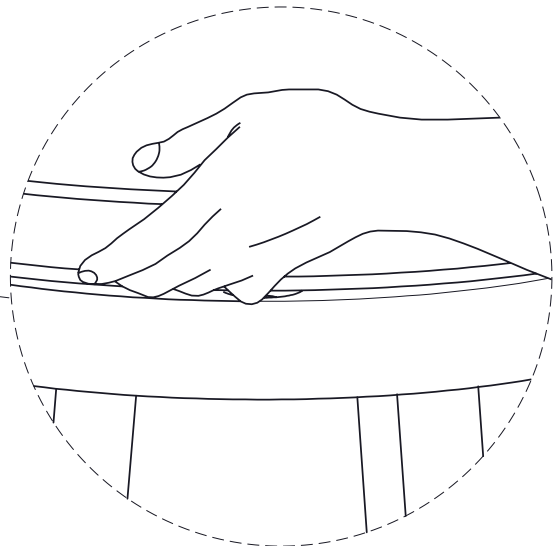
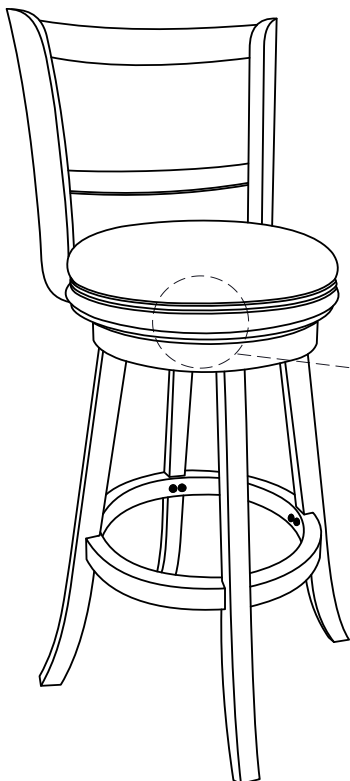


TIGHTEN BOLT COMPLETELY.

04



TIGHTEN BOLT COMPLETELY.



BE SURE TO CHECK ALL BOLTS ARE SECURELY TIGHTENED PRIOR USING THIS STOOL.