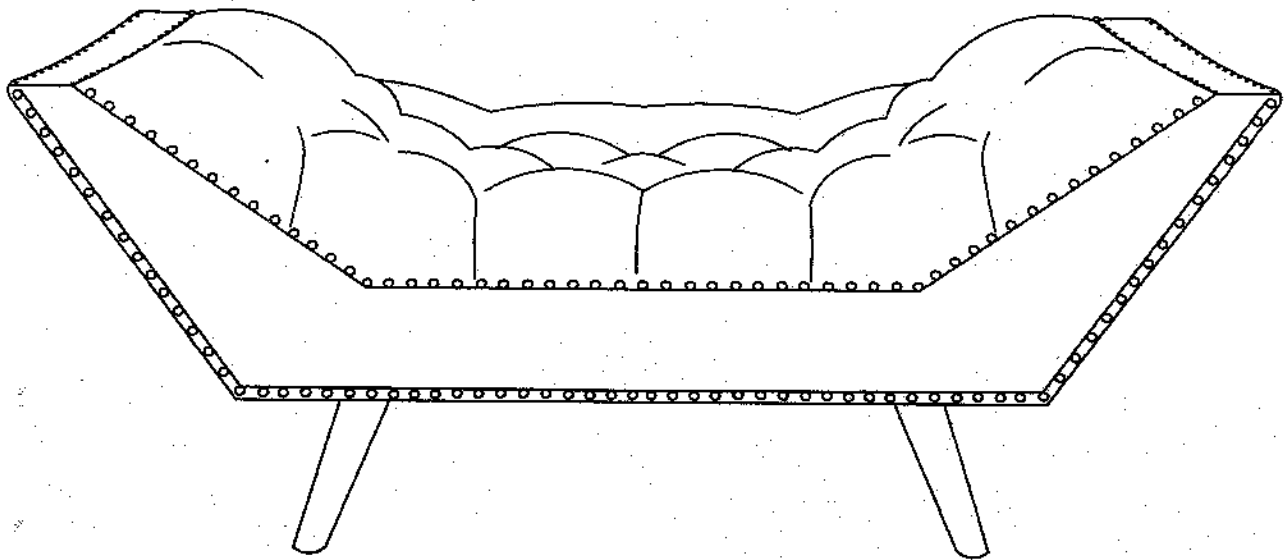





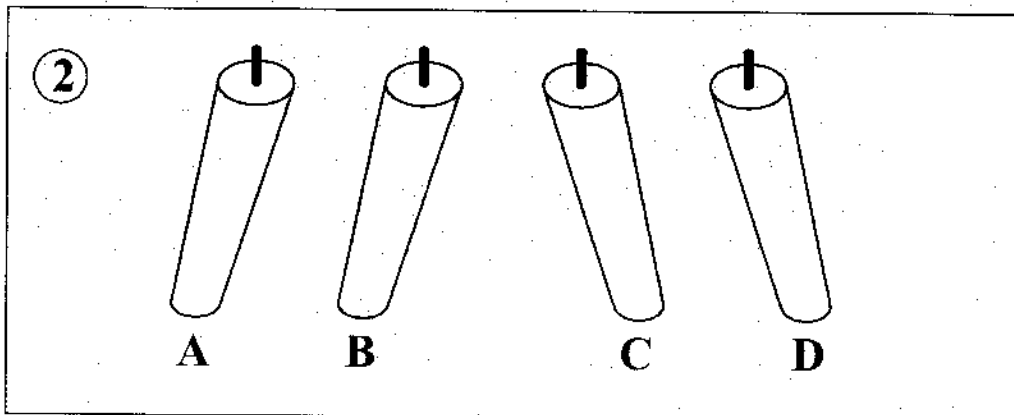
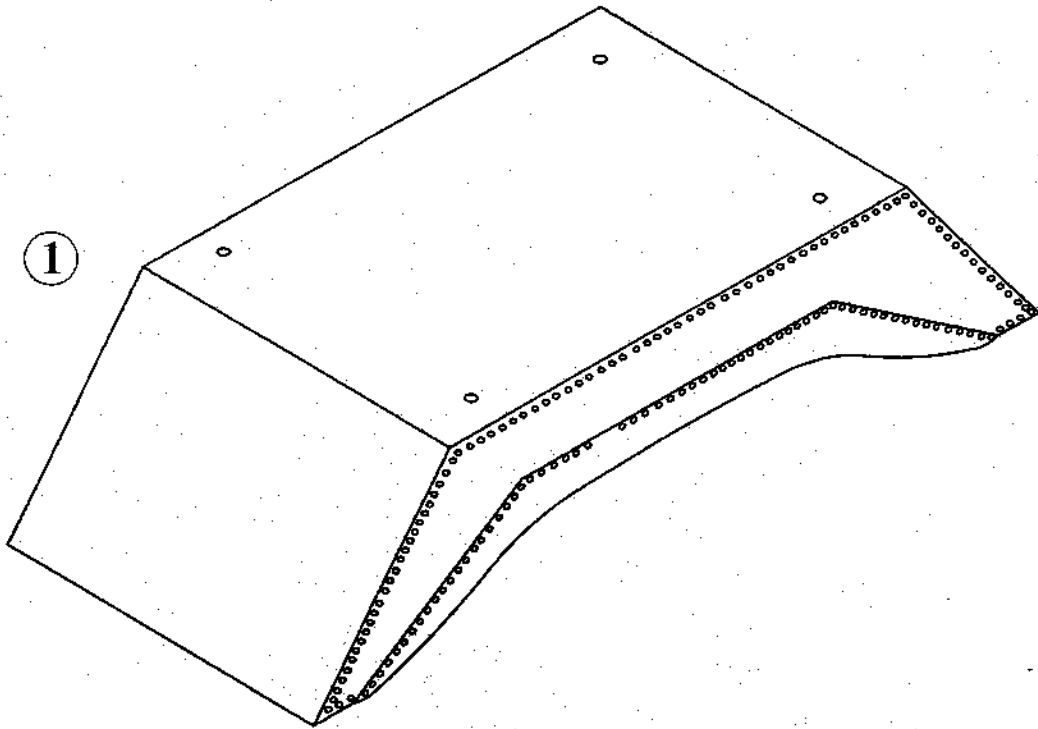
EDC Furnishings

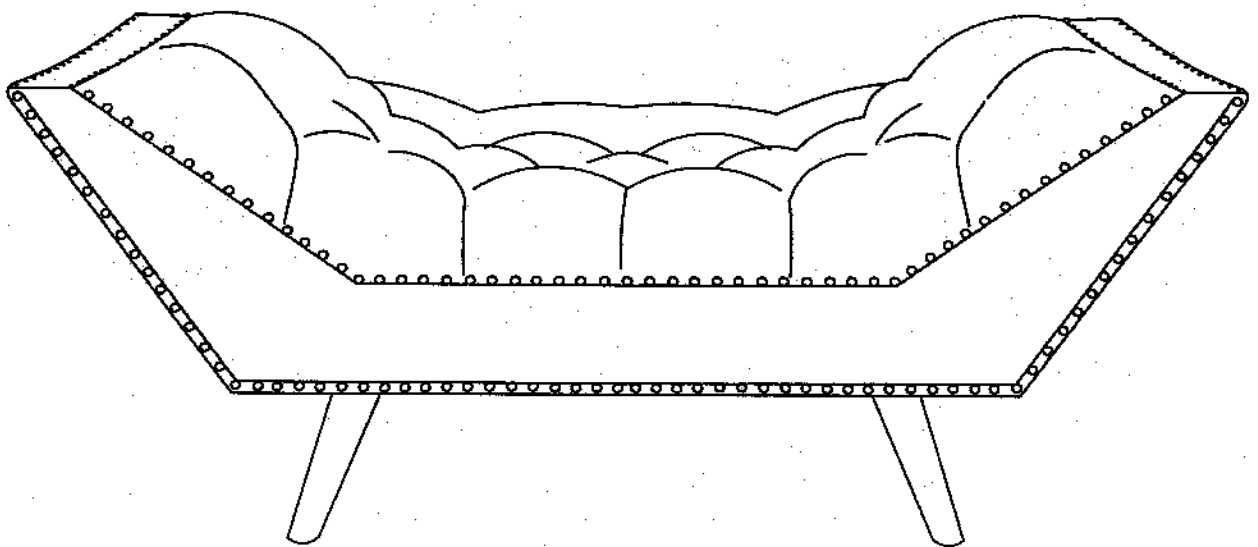
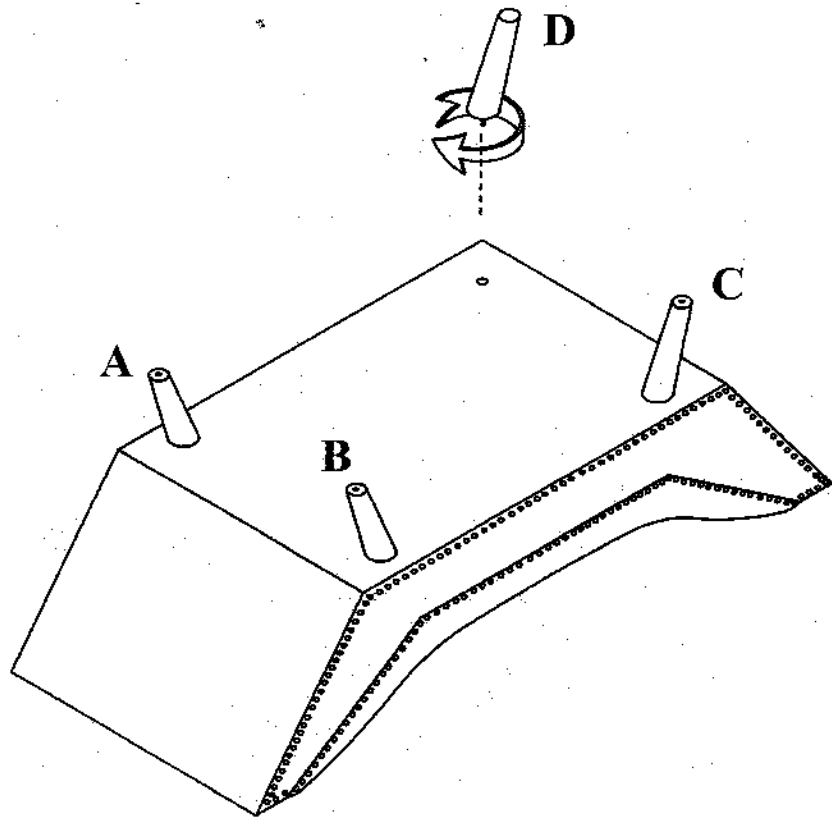
EDC Furnishings
EDC-ZB-9248-Bench
ASSEMBLY INSTRUCTIONS



LEG		4 PCS
------------	---	--------------

TURN EVERY LEG TO BE TIGHT CAREFULLY NOT OVER TIGHTEN, ENSURE EVERY LEG TO BE CORRECT ANGLE





TIGHTEN BOLT COMPLETELY