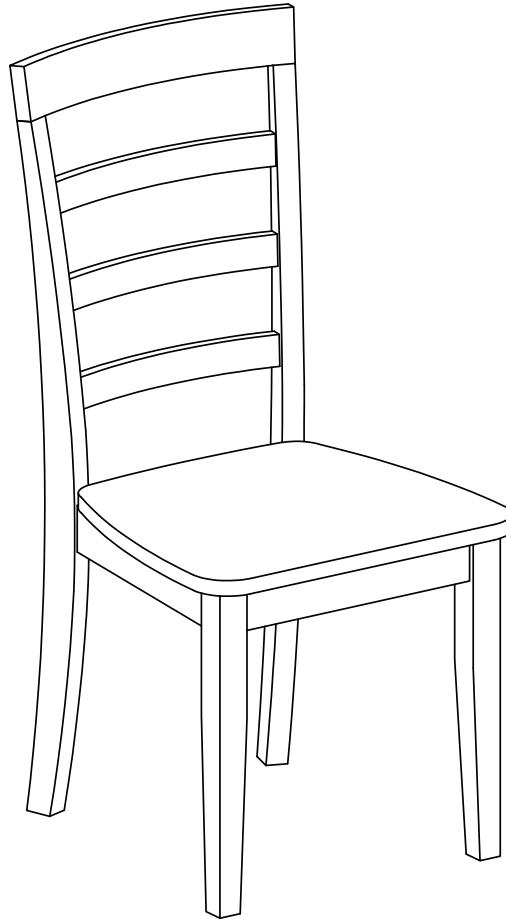




# Boraam Industries

ASSEMBLY INSTRUCTIONS

SKU: 71026 | BOULDER DINING CHAIR



Weight Capacity

08/2023



Have questions about assembling your item?



Items or parts damaged?



Missing a part?

**We're here to help! (Monday-Friday from 9am-5pm CST)**



847-949-6300  
877-267-2261



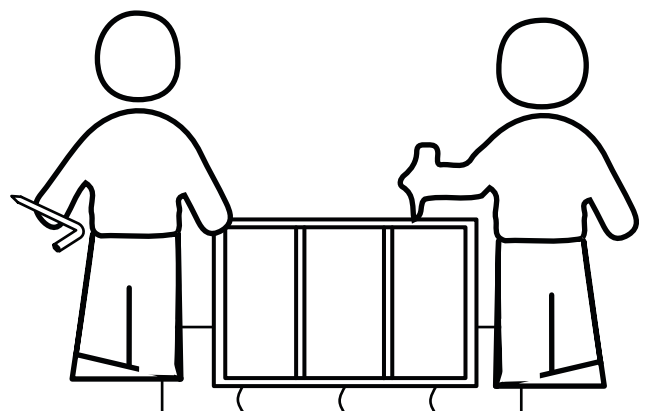
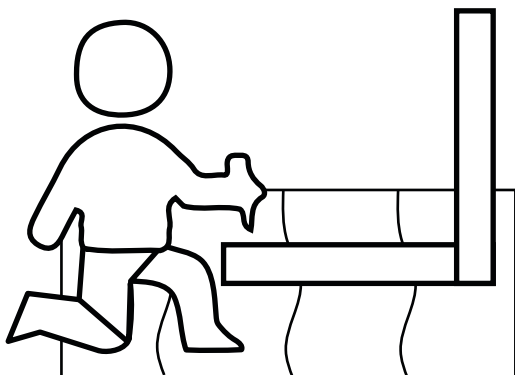
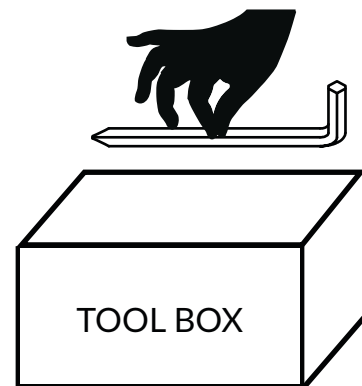
customerservice@  
boraamindustries.com



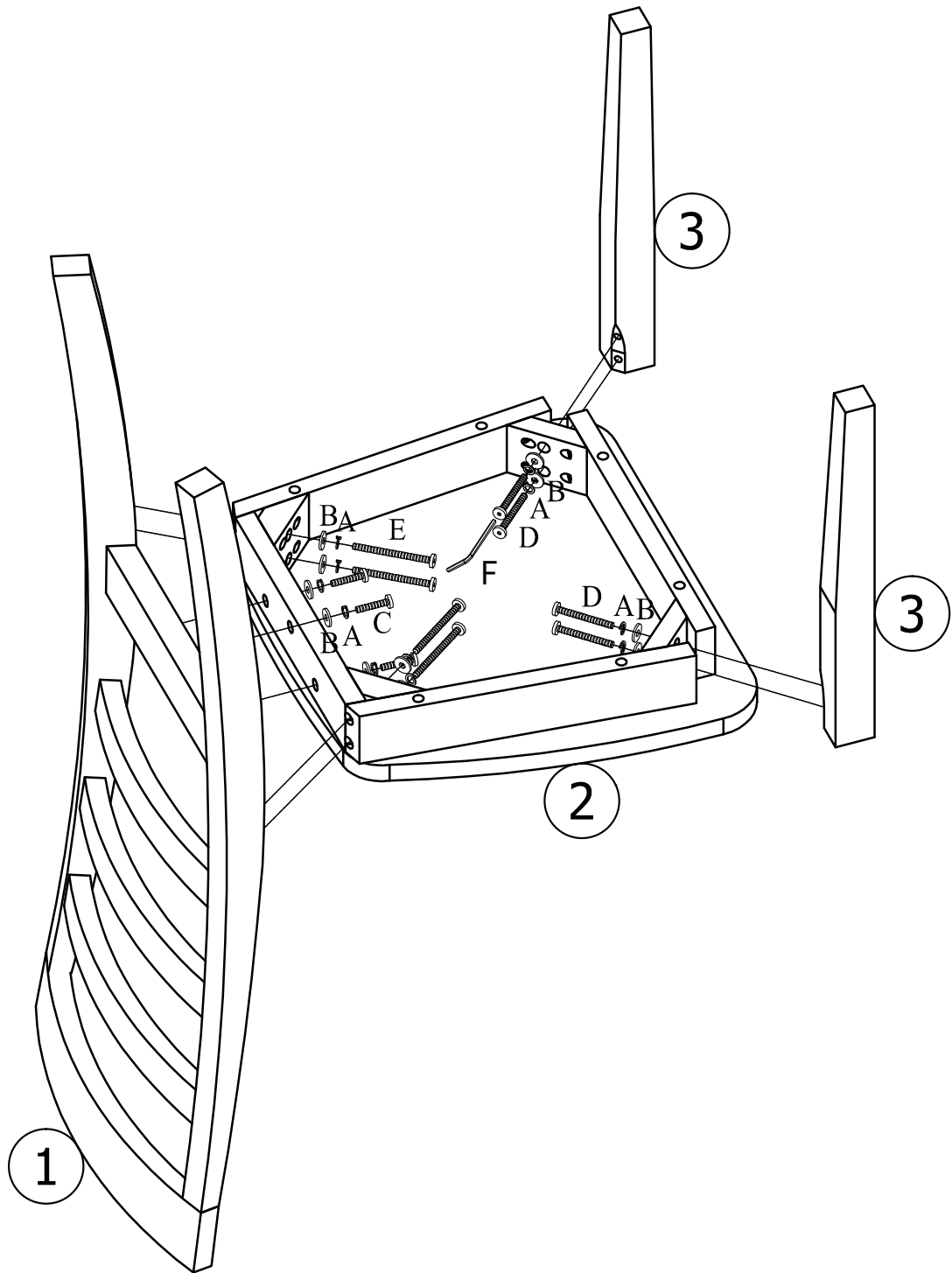
www.boraamindustries.com

# Assembly And Care

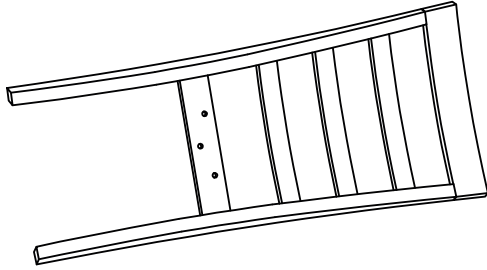
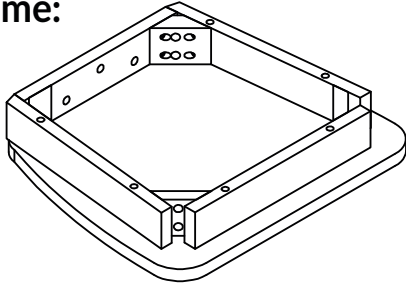

- All required tools for assembly are included unless noted.
- Locate and inspect all parts for missing items or damage prior to assembly.
- Do not dispose of packing materials until assembly is completed.
- Assemble item on a soft, clean surface to prevent damage to the item.
- Proper assembly requires 2 people.




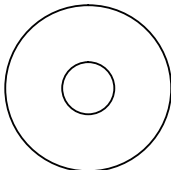
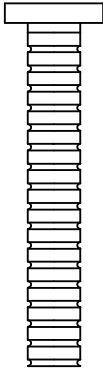
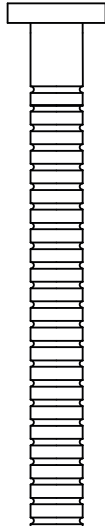
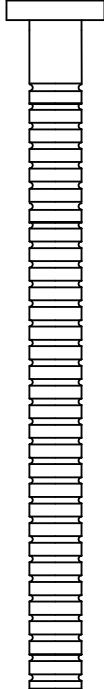
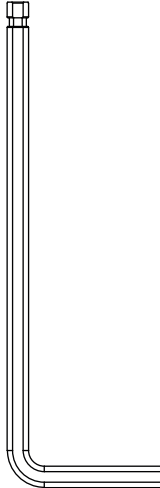
# Assembly Overview



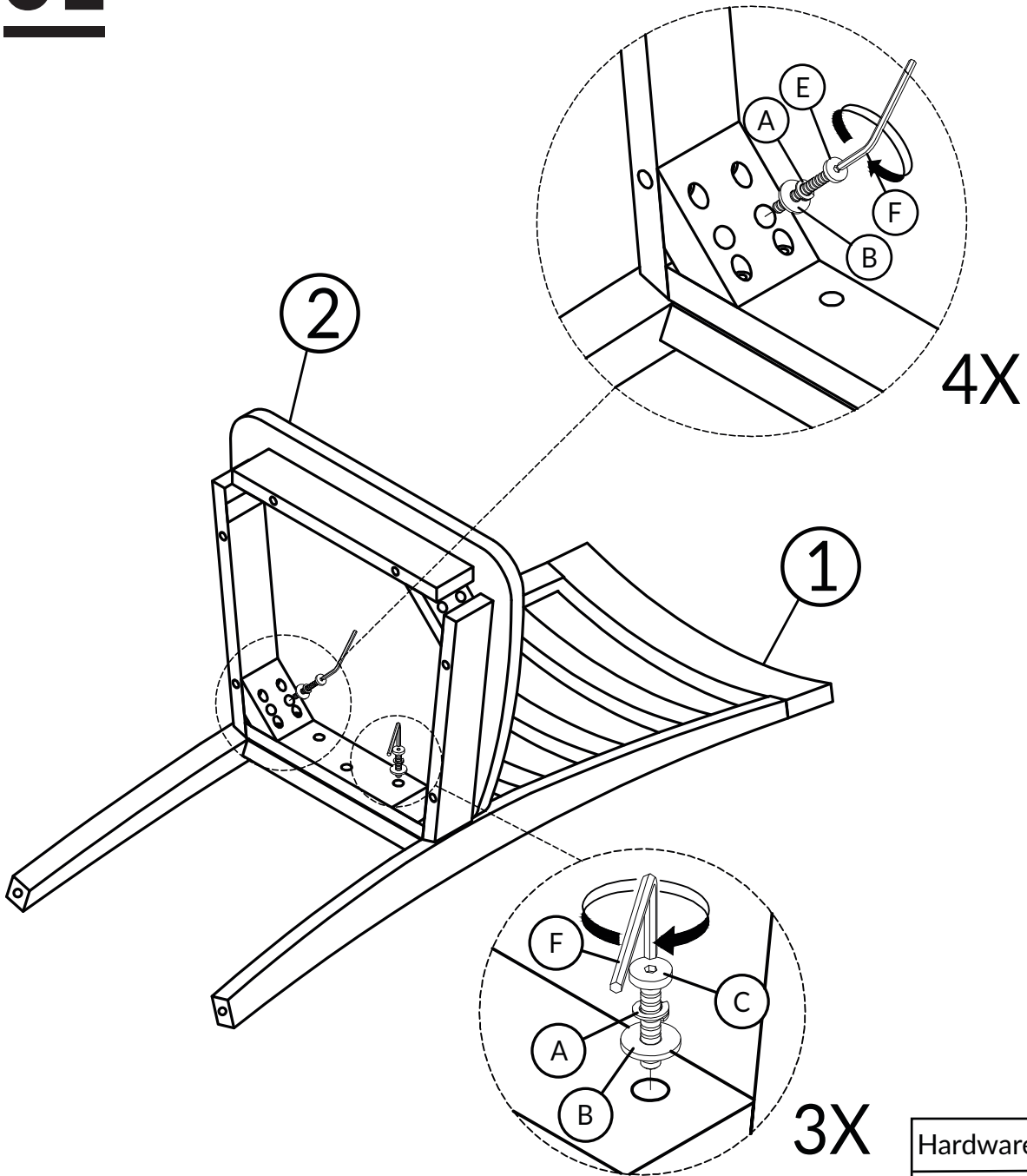
# PARTS

① (x1)	
<b>Chair Back:</b> 	
② (x1)	③ (x2)
<b>Seat Frame:</b> 	<b>Leg:</b> 

# HARDWARE

Ⓐ (x11)	Ⓑ (x11)	Ⓒ (x3)	Ⓓ (x4)	Ⓔ (x4)	Ⓕ (x1)
					
Spring Washer	Flat Washer	Bolt M6x40	Bolt M6x60	Bolt M6x80	Allen Wrench

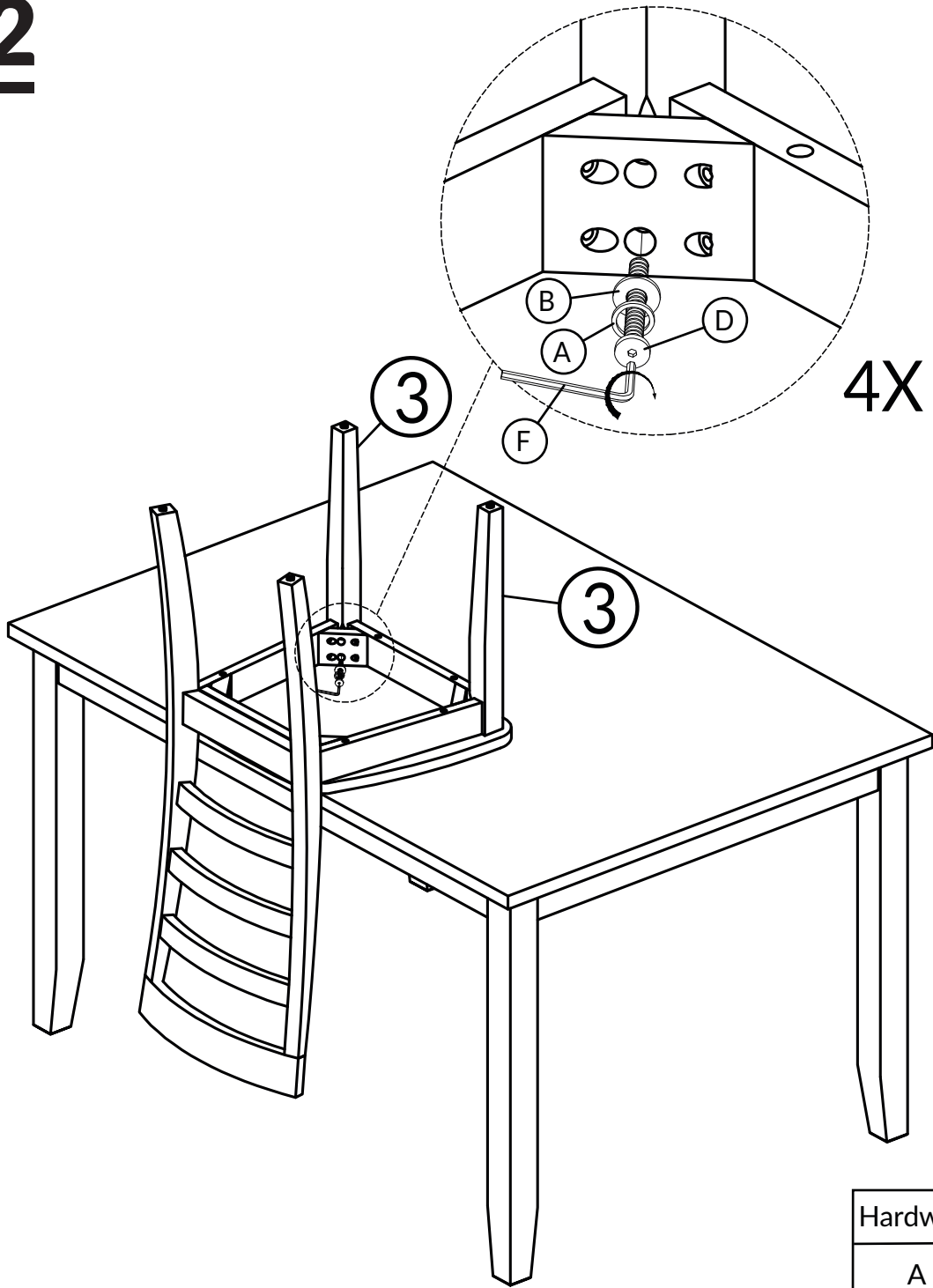
# 01



Hardware	Count
A	7
B	7
C	3
E	4
F	1

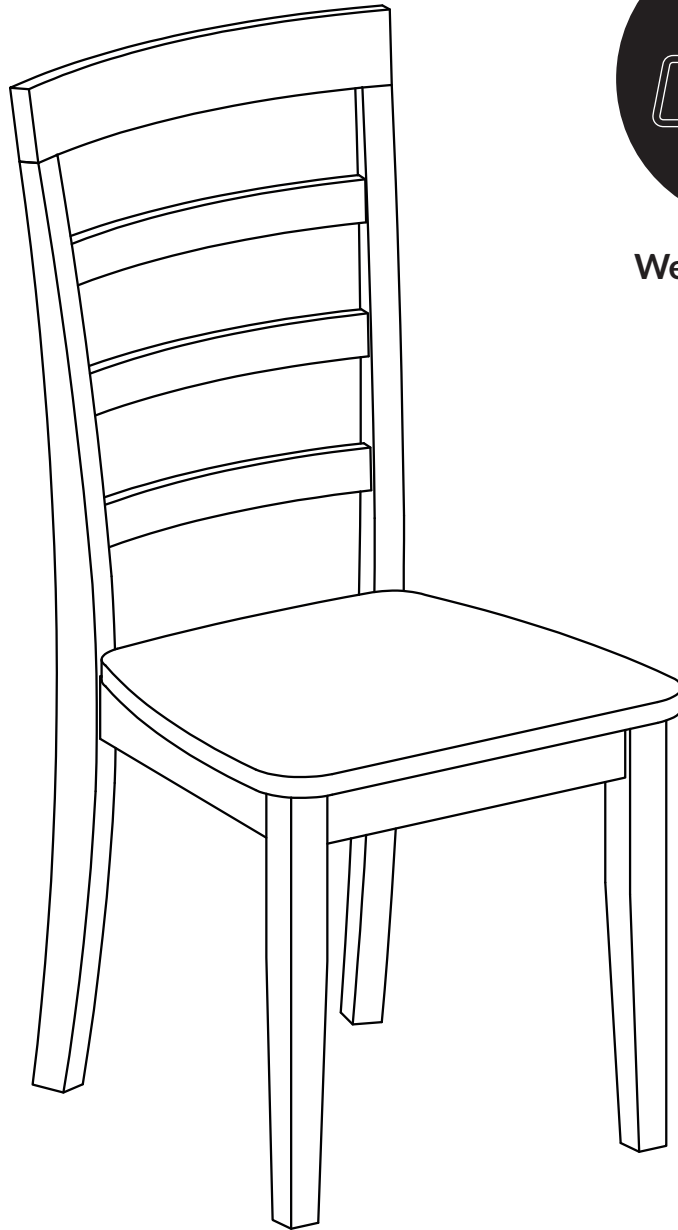
TIGHTEN BOLT COMPLETELY.

# 02



Hardware	Count
A	4
B	4
D	4
F	1

TIGHTEN BOLT COMPLETELY.



**Weight Capacity**

**BE SURE TO CHECK ALL BOLTS ARE SECURELY TIGHTENED PRIOR TO USE.**

847-949-6300 | 877-267-2261 | [customerservice@boraamindustries.com](mailto:customerservice@boraamindustries.com)