

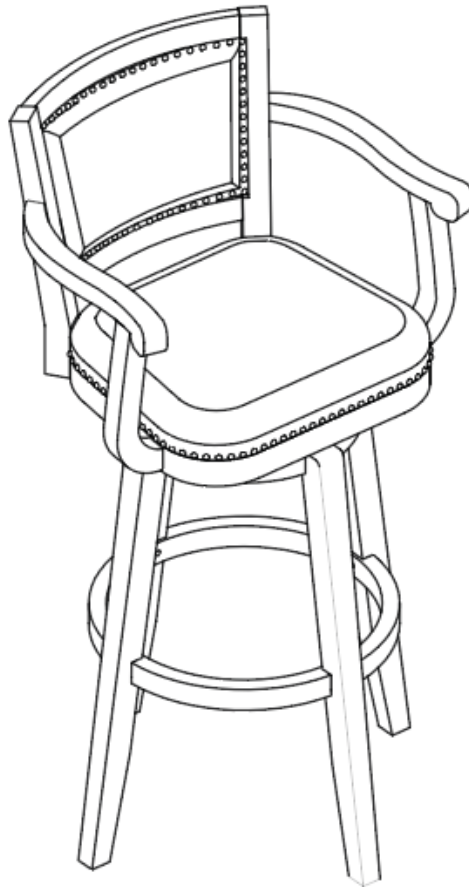


Boraam Industries

ASSEMBLY INSTRUCTIONS

SKU: 51834,51934,52934

BROADMOOR SWIVEL EXTRA TALL BARSTOOL



Weight Capacity



Locate the **HARDWARE PACK** which is attached to the shipping carton with red tape.

Version 2 / Updated as of 1.2.24



Have questions about assembling your item?



Items or parts damaged?



Missing a part?

We're here to help! (Monday-Friday from 9am-5pm CST)



847-949-6300
877-267-2261



customerservice@
boraamindustries.com



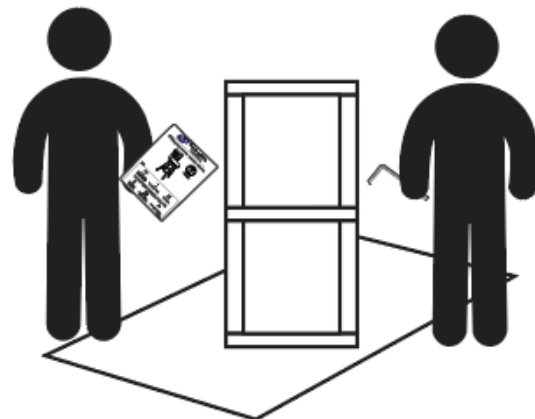
www.boraamindustries.com

Assembly And Care

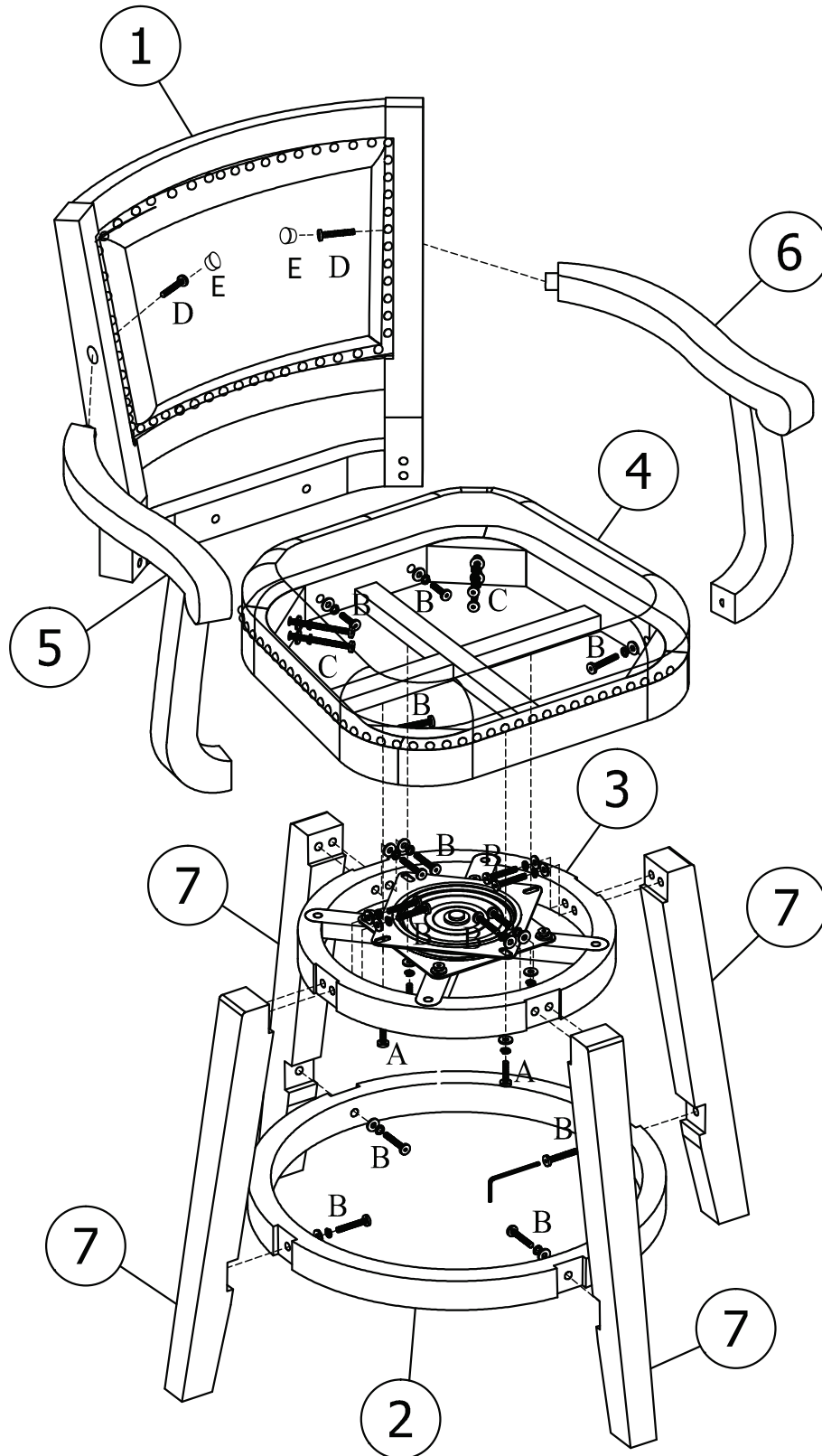
- All tools required for assembly are included unless noted.
- Prior to assembly, check for missing or damaged parts.
- Do not dispose of packing materials until assembly is completed.
- Assemble item on a soft, clean surface to prevent damage to the item.



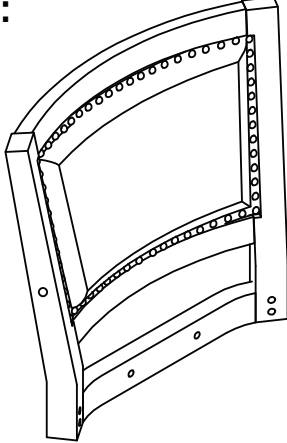
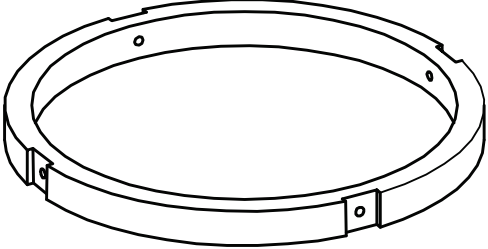
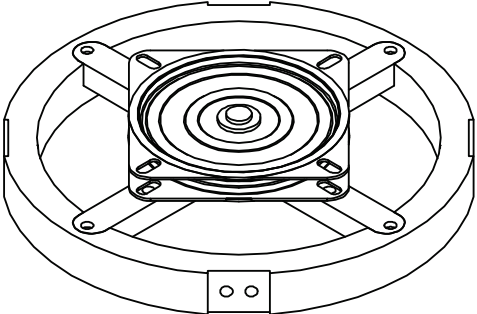
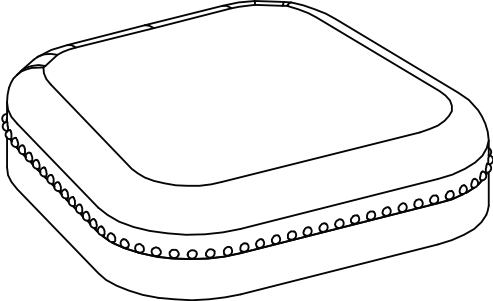
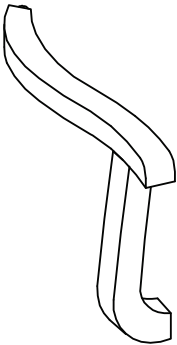
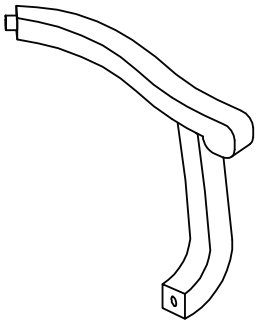

Locate the **HARDWARE PACK** which is attached to the shipping carton with red tape.



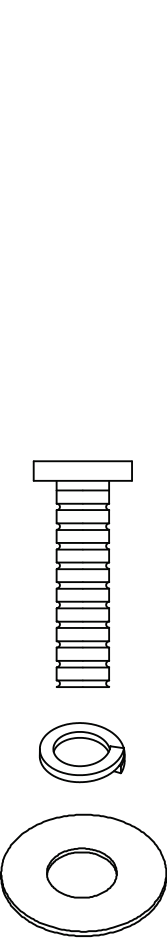
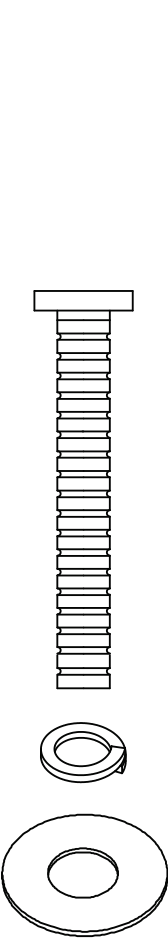
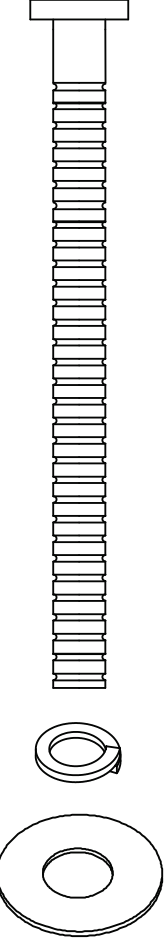
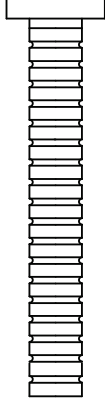


Assembly Overview



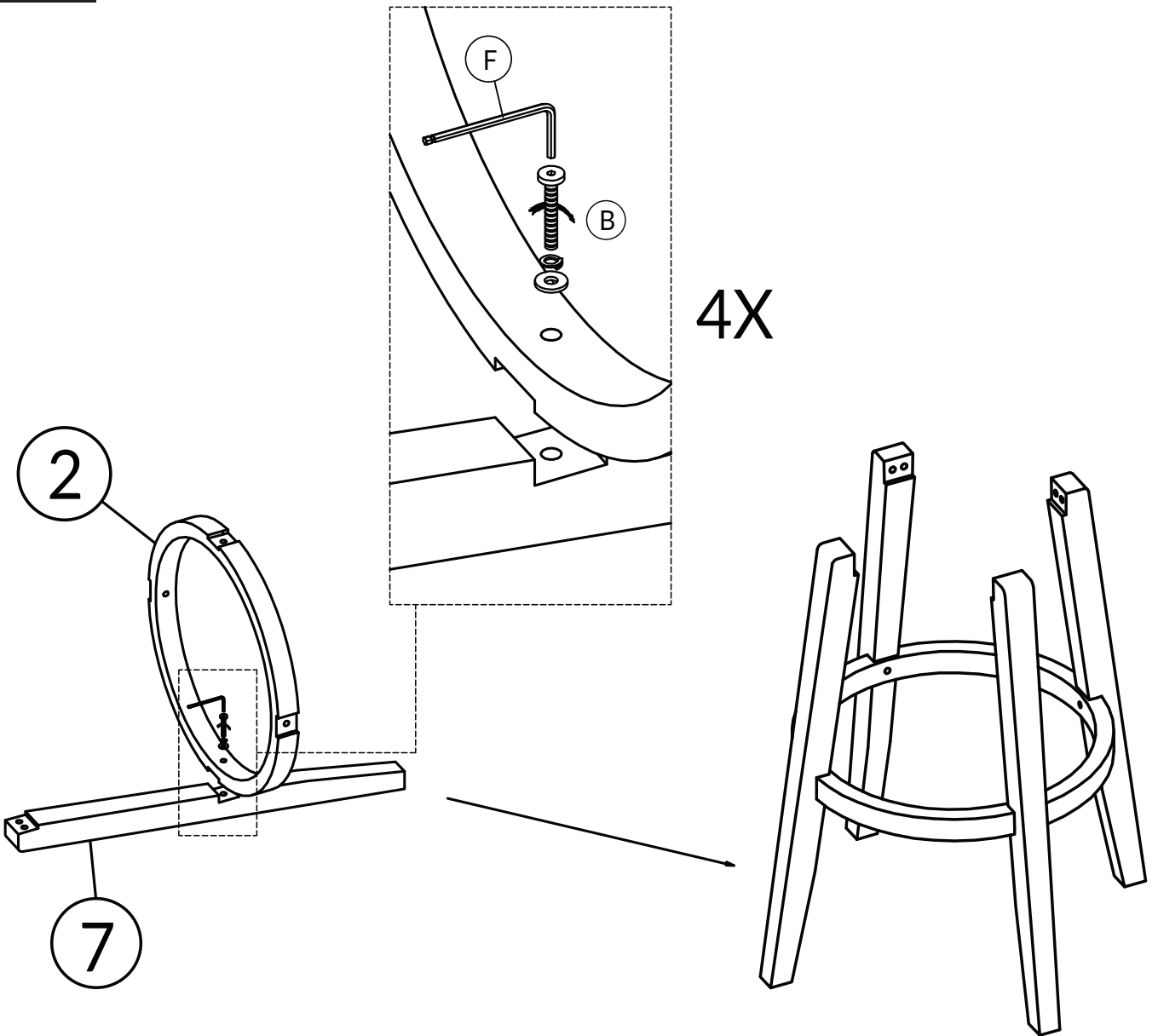
PARTS

<p>① (x1)</p>	<p>② (x1)</p>	
<p>Backrest:</p>  A curved, rectangular backrest frame with a decorative border of small circles along the top and bottom edges. It has a central support structure and mounting points on the sides.	<p>Footrest:</p>  A circular footrest ring with a decorative border of small circles. It has two small rectangular tabs on opposite sides for attachment.	
<p>③ (x1)</p>	<p>④ (x1)</p>	
<p>Apron With Swivel Plate:</p>  A circular apron with a central swivel plate. The plate has a circular base and four support arms extending to the apron's edge. The apron has a decorative border of small circles.	<p>Seat Cushion:</p>  A square seat cushion with rounded corners and a decorative border of small circles. It has a thick, padded appearance.	
<p>⑤ (x1)</p>	<p>⑥ (x1)</p>	<p>⑦ (x4)</p>
<p>Arm Chair:</p>  A curved armrest with a decorative border of small circles. It has a mounting point at the top and a base at the bottom.	<p>Arm Chair:</p>  A curved armrest with a decorative border of small circles. It has a mounting point at the top and a base at the bottom, similar to part 5 but with a different shape.	<p>Leg:</p>  A long, thin, rectangular leg with a decorative border of small circles. It has a mounting point at the top and a base at the bottom.

HARDWARE

Ⓐ	Ⓑ	Ⓒ	Ⓓ (x2)	Ⓔ (x2)	Ⓕ (x1)
					
<p>M6*25: 4pcs M6*16: 4pcs M6*13: 4pcs</p>	<p>M6*45: 16pcs M6*16: 16pcs M6*13: 16pcs</p>	<p>M6*80: 4pcs M6*16: 4pcs M6*13: 4pcs</p>	<p>Bolt M6*45</p>	<p>Wood Button</p>	<p>Allen Wrench</p>

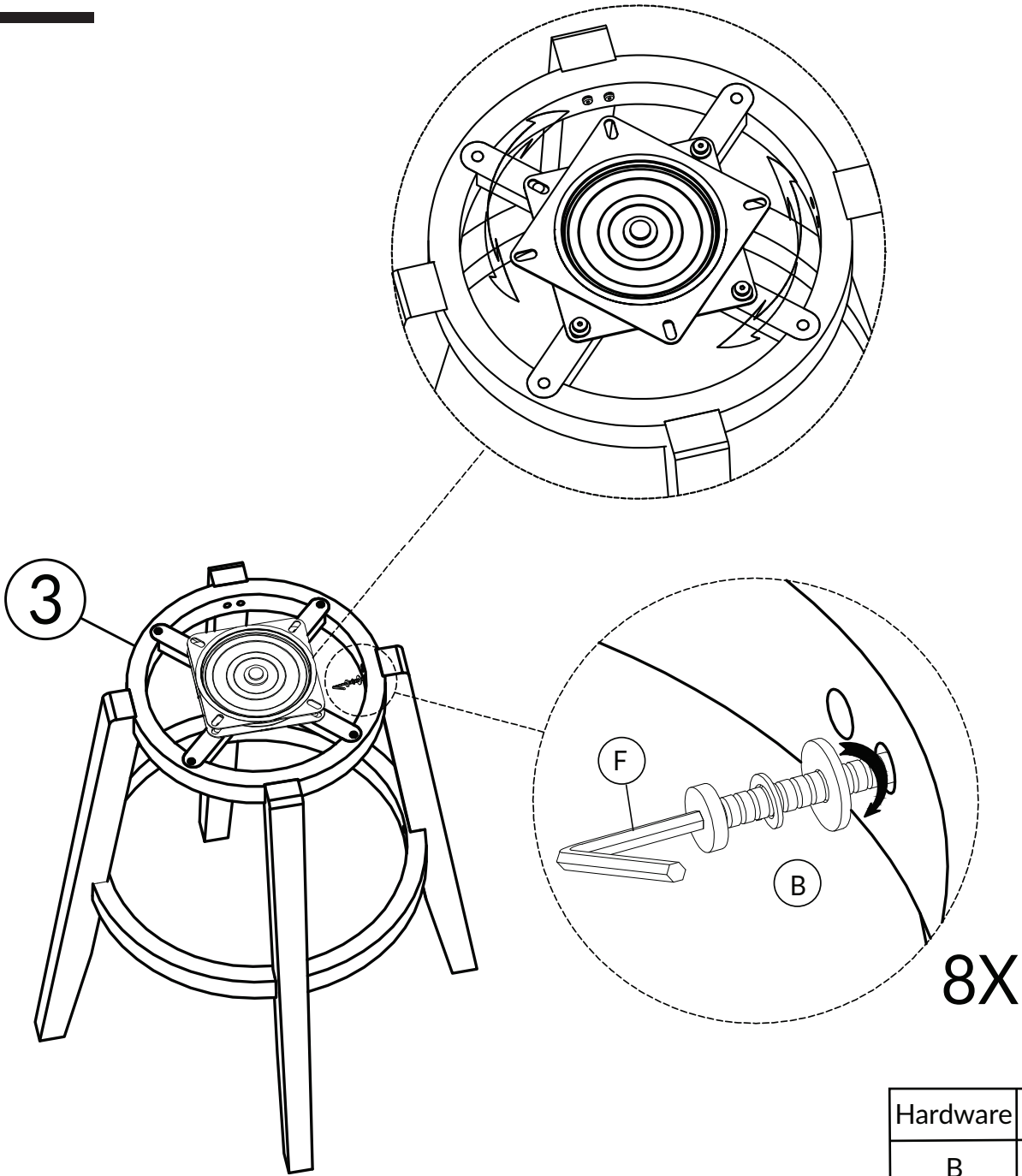
01



Hardware	Count
B	4
F	1

DO NOT TIGHTEN BOLT COMPLETELY.

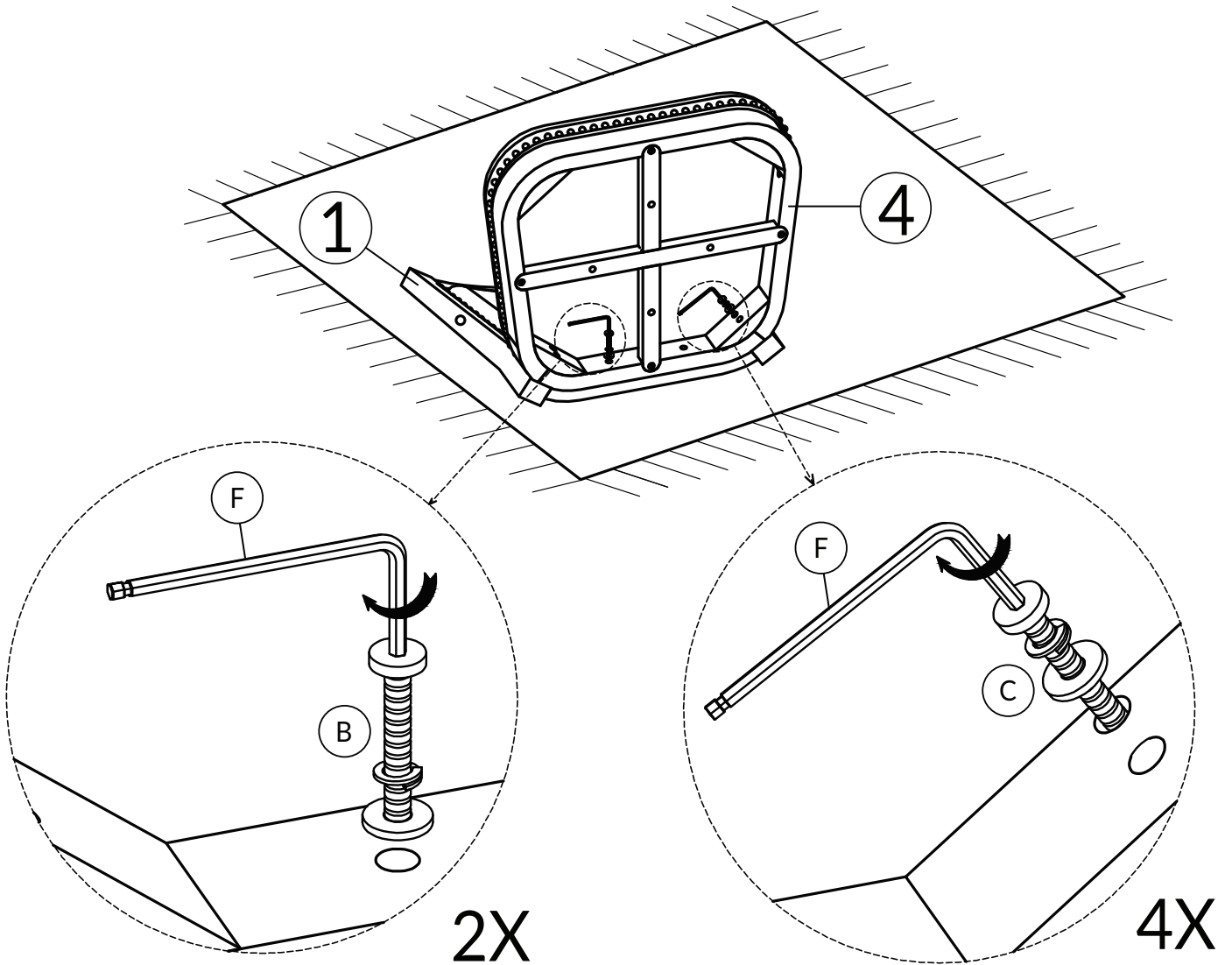
02



Hardware	Count
B	8
F	1

TIGHTEN BOLT COMPLETELY.

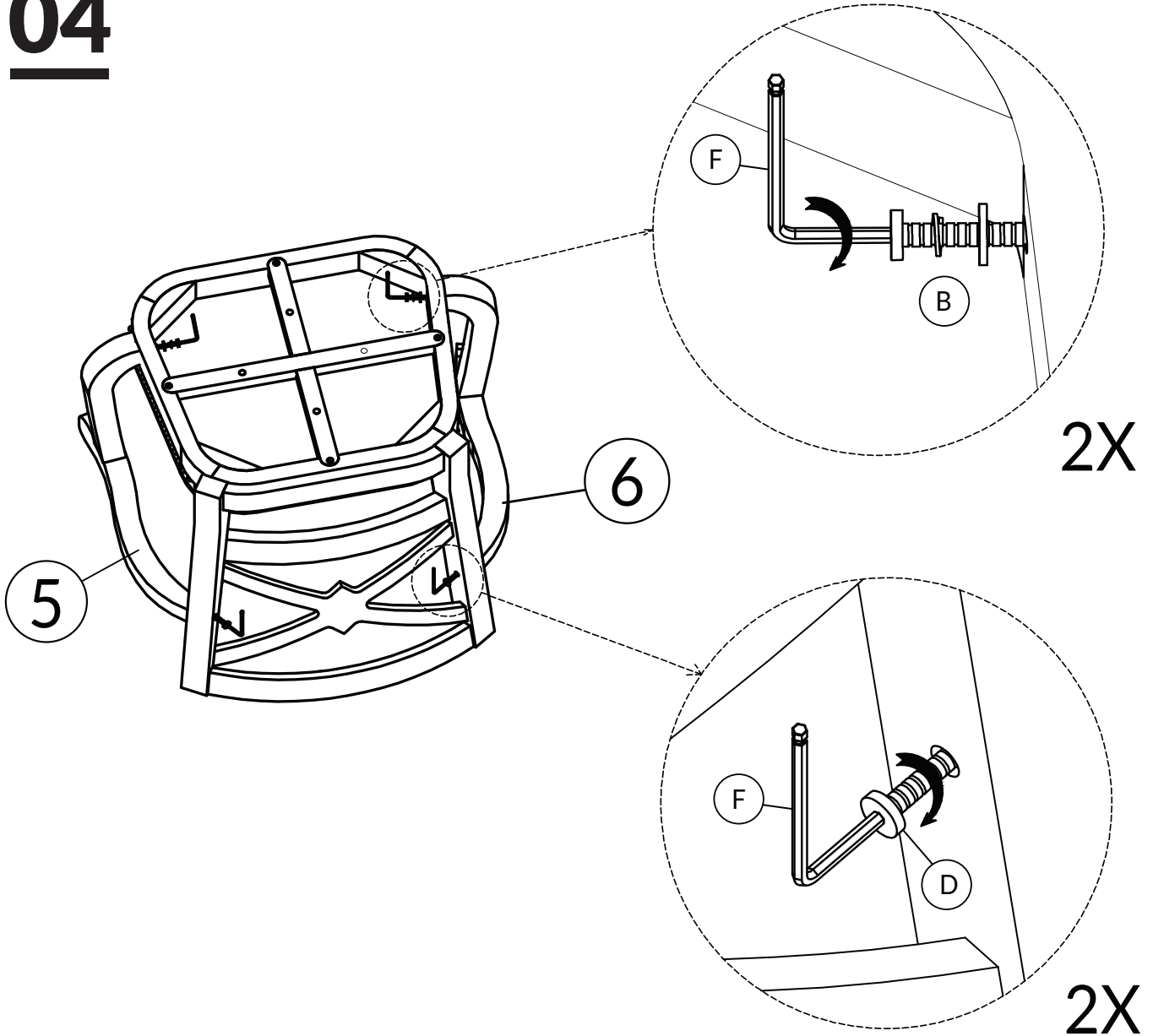
03



Hardware	Count
B	2
C	4
F	1

TIGHTEN BOLT COMPLETELY.

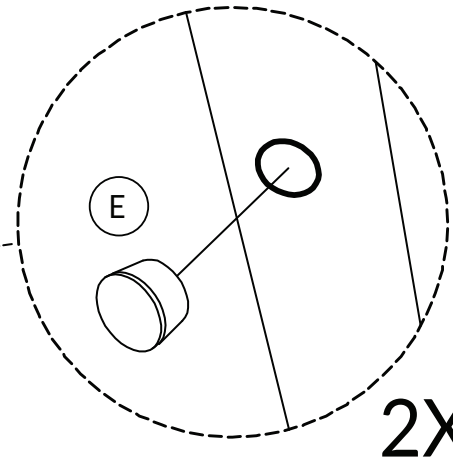
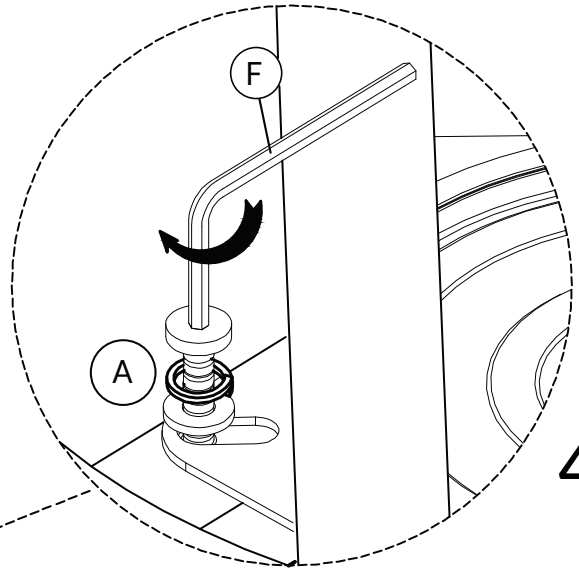
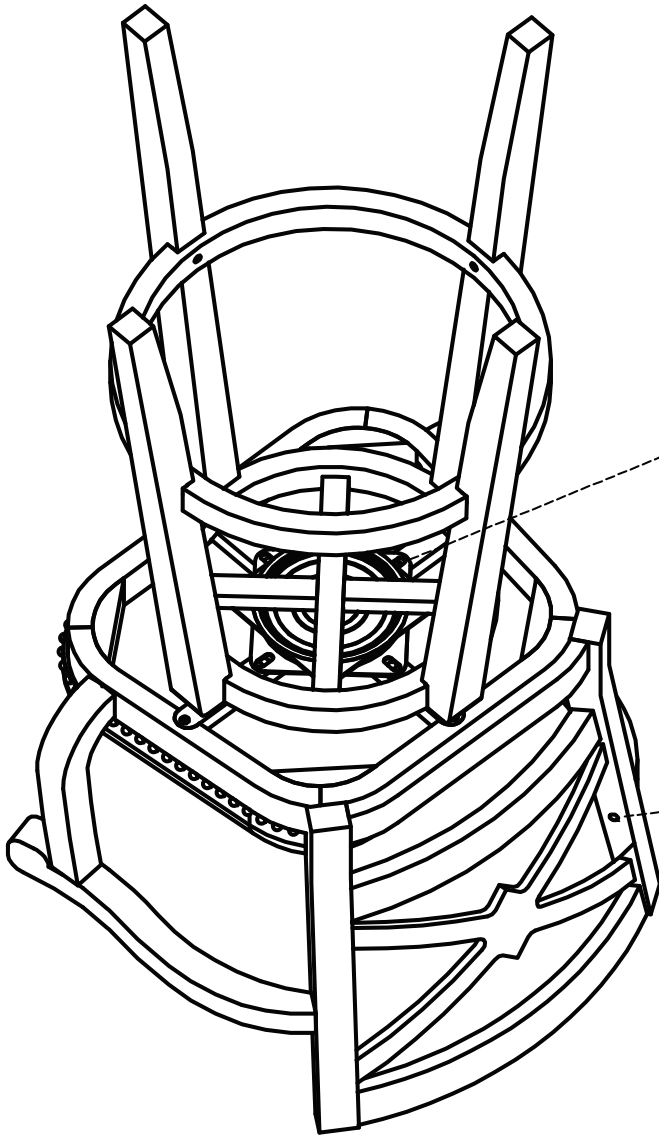
04



Hardware	Count
B	2
D	2
F	1

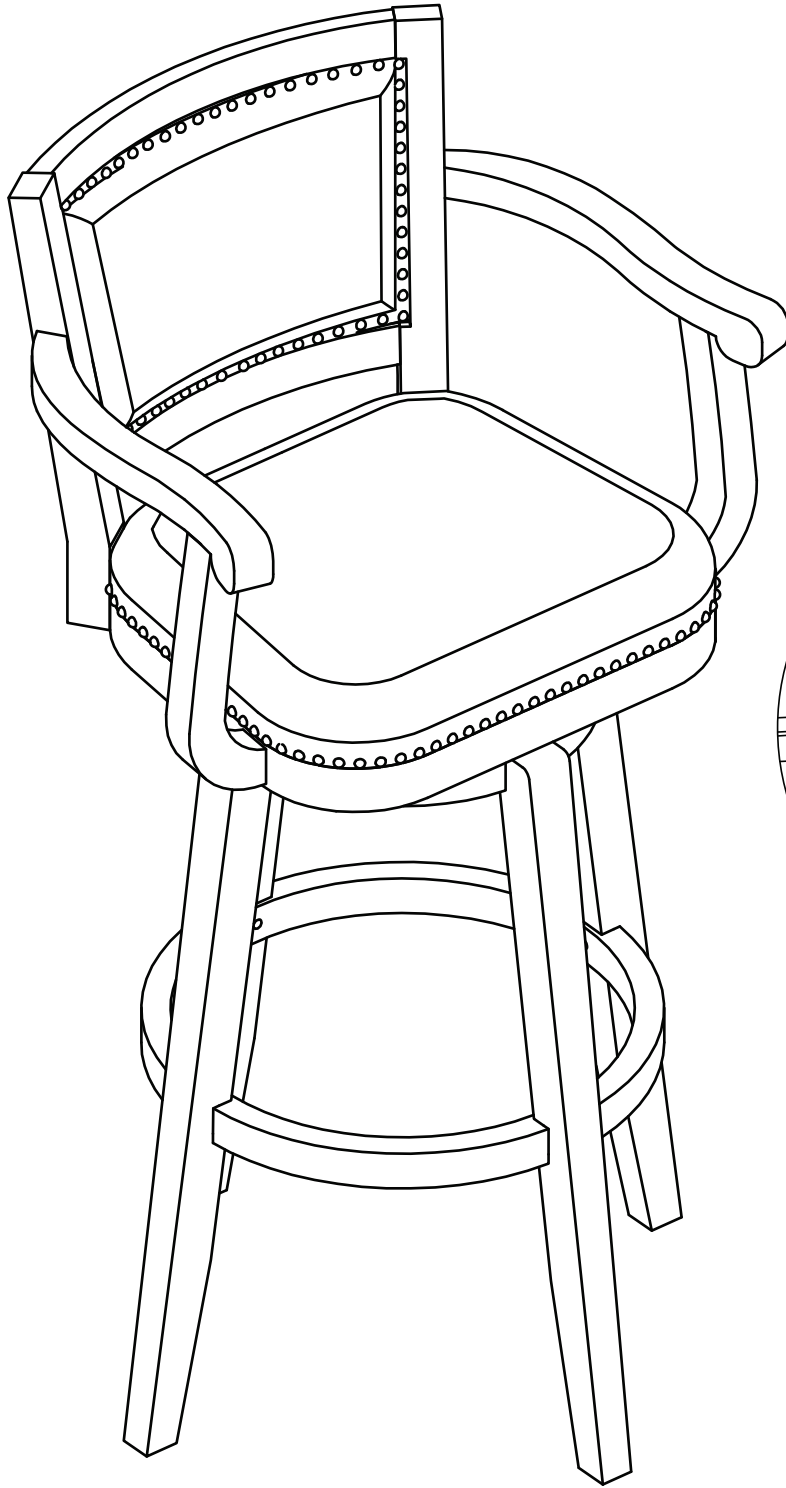
TIGHTEN BOLT COMPLETELY.

05

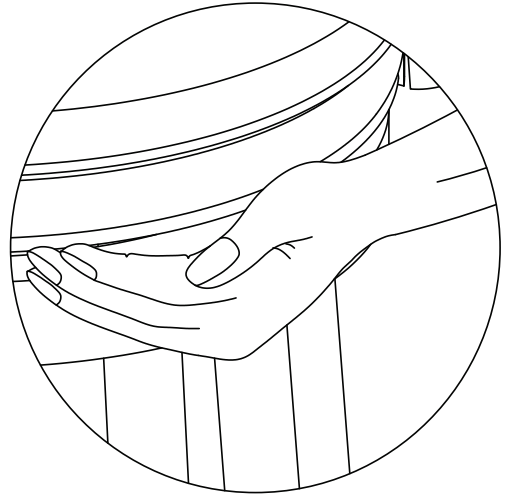


Hardware	Count
A	4
E	2
F	1

TIGHTEN BOLT COMPLETELY.



Weight Capacity



BE SURE TO CHECK ALL BOLTS ARE SECURELY TIGHTENED PRIOR TO USE.

847-949-6300 | 877-267-2261 | customerservice@boraamindustries.com