

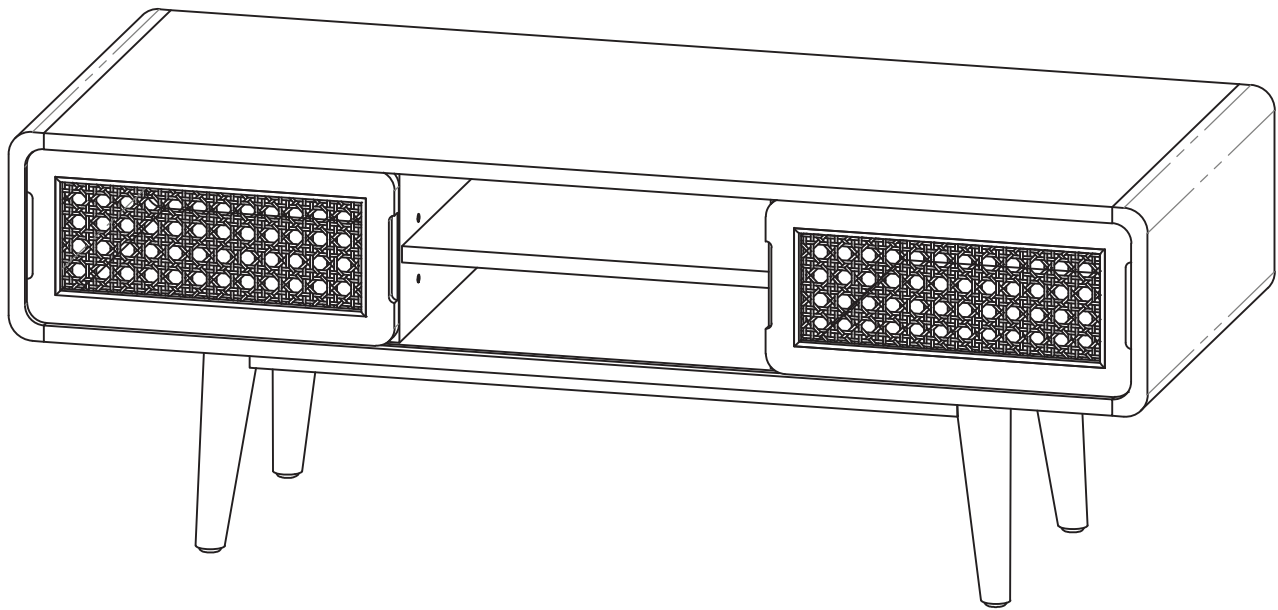


Boraam Industries

Assembly Instructions

SKU: 33412

Cambria Coffee Table



05/2024



Have questions about assembling your item?



Items or parts damaged?



Missing a part?

We're here to help! (Monday-Friday from 9am-5pm CST)



847-949-6300
877-267-2261



customerservice@
boraamindustries.com



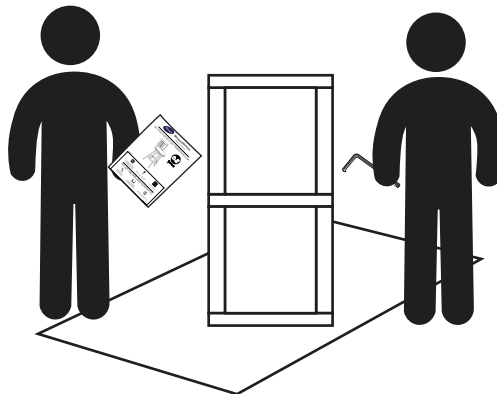
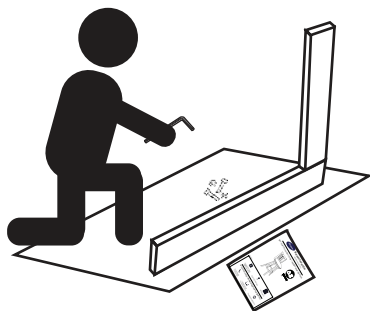
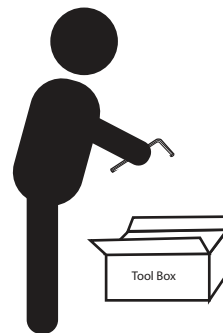
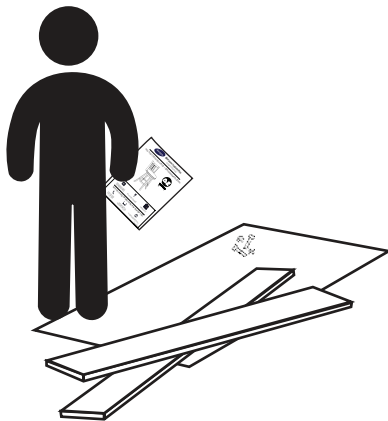
www.boraamindustries.com

Assembly And Care

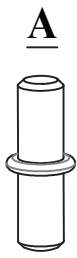
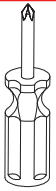
- All tools required for assembly are included unless noted.
- Prior to assembly, check for missing or damaged parts.
- Do not dispose of packing materials until assembly is completed.
- Assemble item on a soft, clean surface to prevent damage to the item.



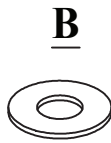
Locate the **HARDWARE PACK** which is attached to the shipping carton with red tape.



Philips
Screwdriver
(Not Provided)



4 PCS



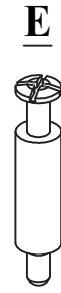
8 PCS



12 PCS



16 PCS



12 PCS

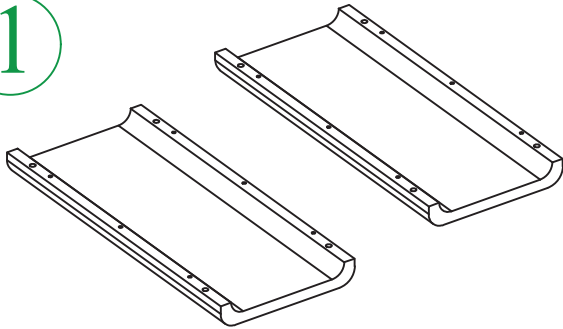


8 PCS

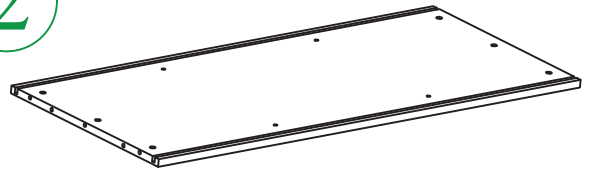


1 PCS

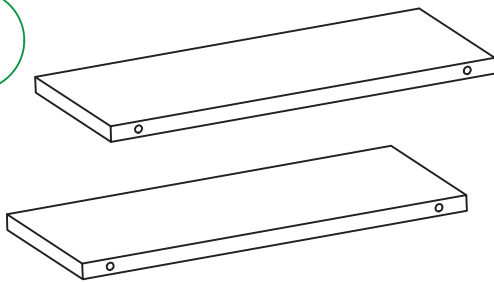
1



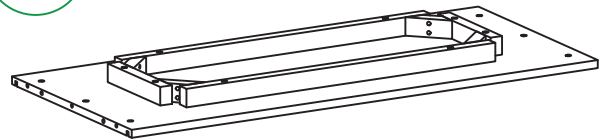
2



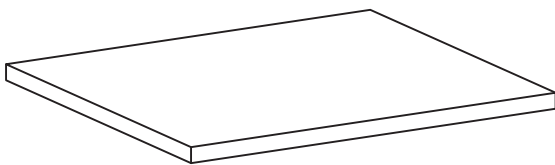
3



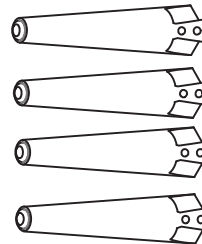
4



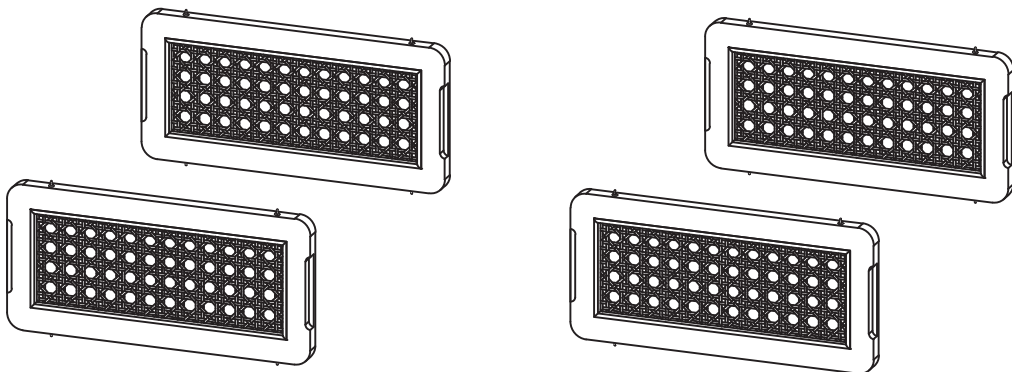
5



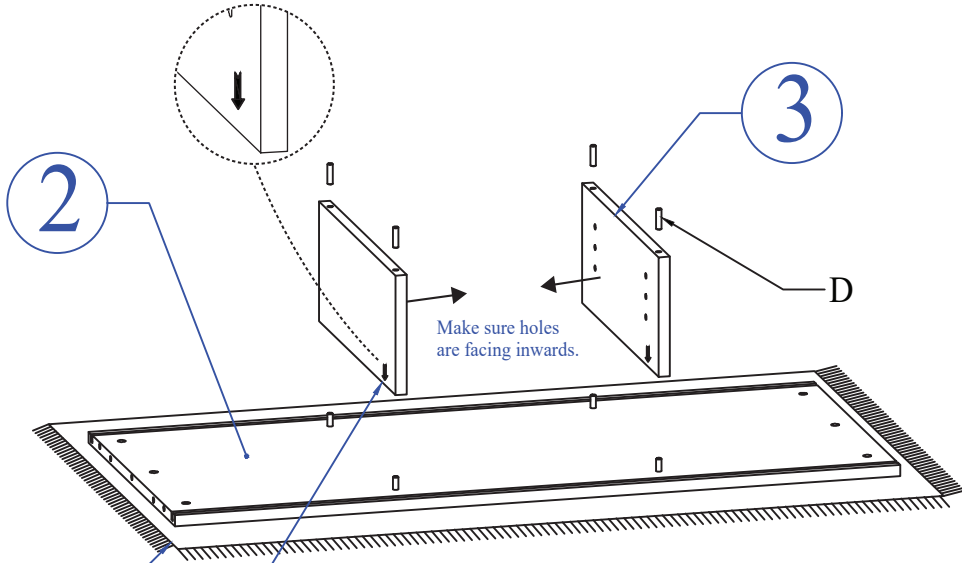
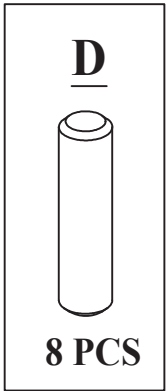
6



7



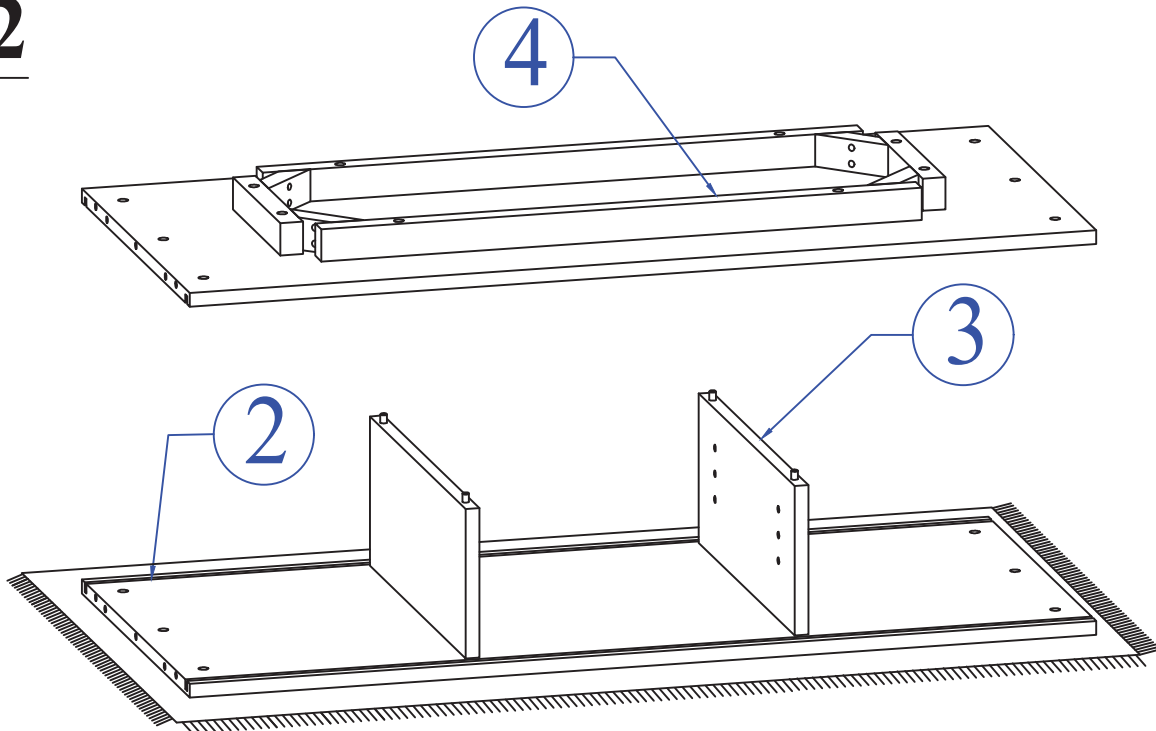
01



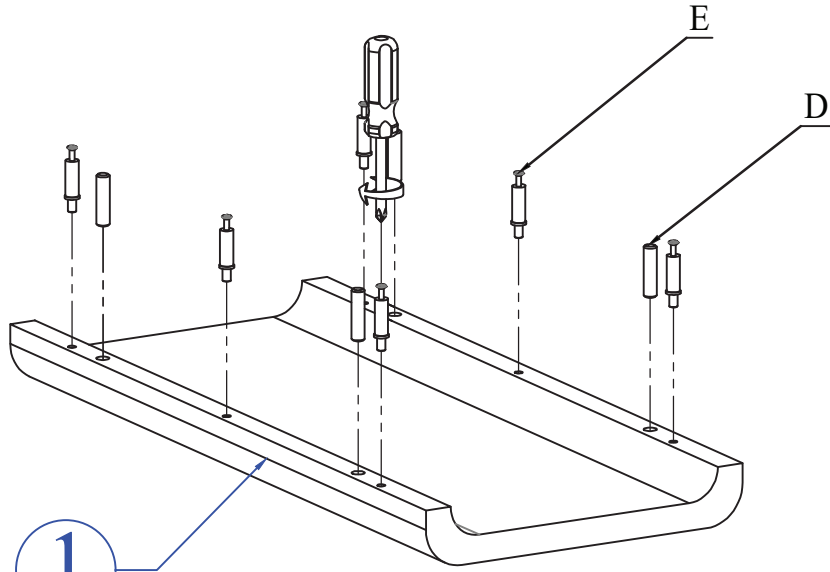
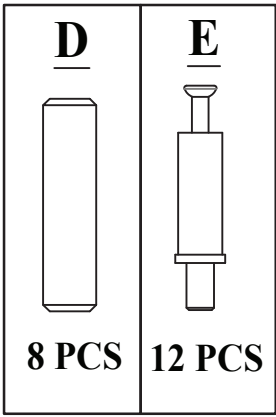
Ensure the arrow sticker is facing downward for proper assembly.

Prevent scratches by using a soft surface during assembly.

02

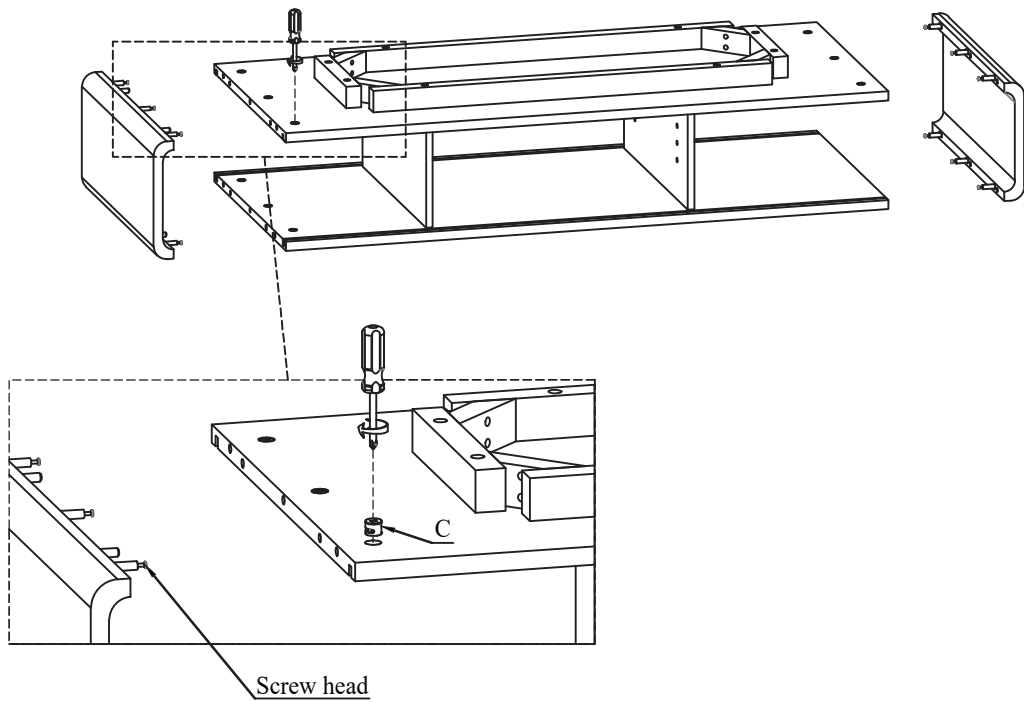
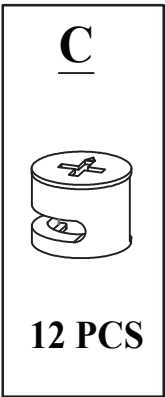


03

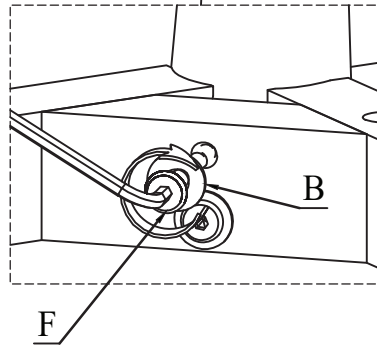
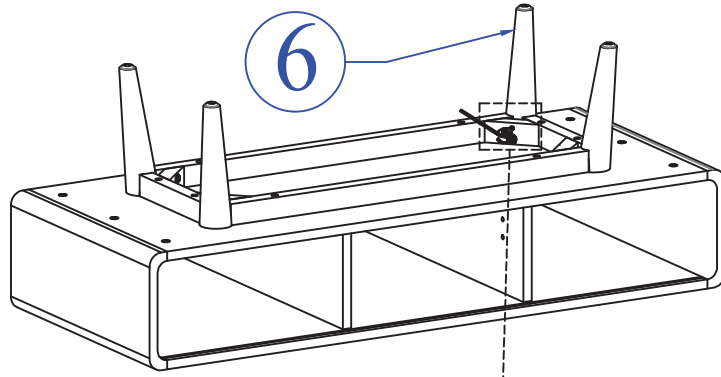
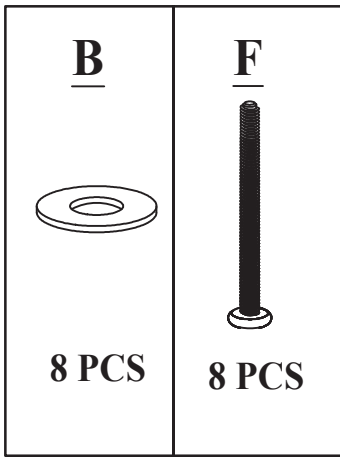


1 Fully tighten screw 'E' to avoid potential assembly difficulties later on.

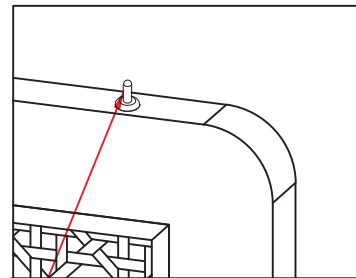
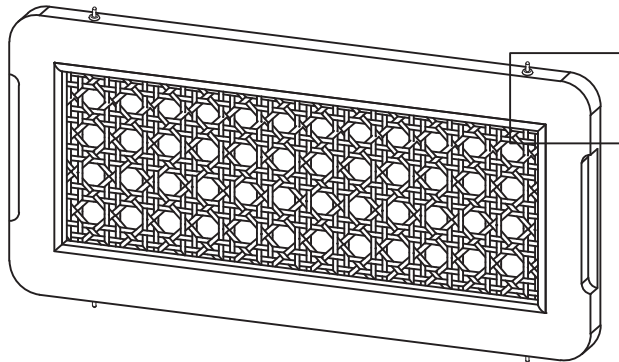
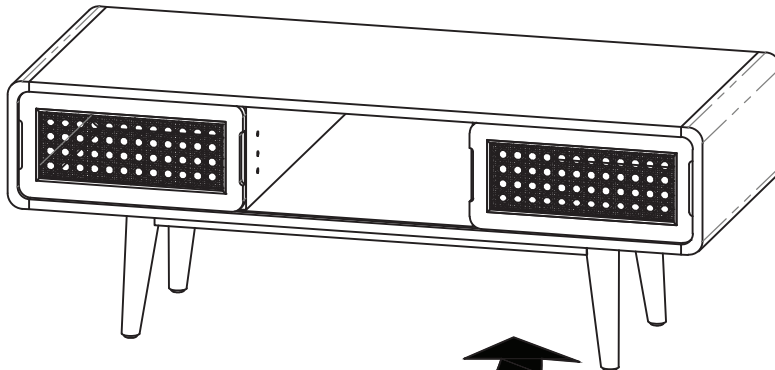
04



05



06



Press down pin
to insert door.

07

