

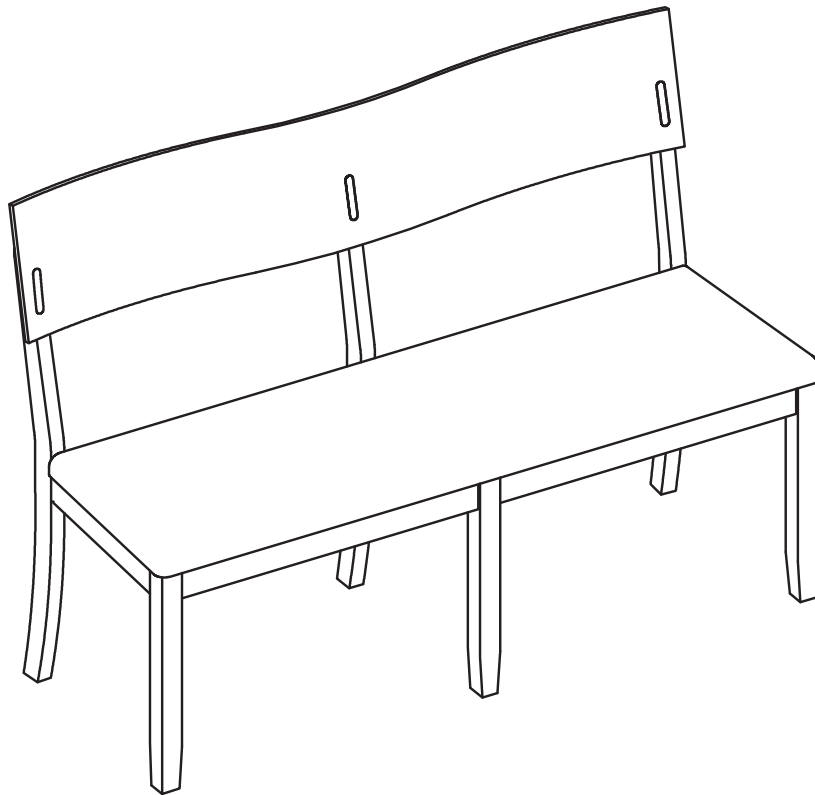


# Boraam Industries

ASSEMBLY INSTRUCTIONS

SKU: 70018 | CAPELLA DINING HEIGHT BENCH

Note: Maximum Capacity- 2 person,  
300lbs per seat



Version 1 / Updated as of 11/17/23



Have questions about  
assembling your item?



Items or parts damaged?



Missing a part?

**We're here to help! (Monday-Friday from 9am-5pm CST)**



847-949-6300  
877-267-2261



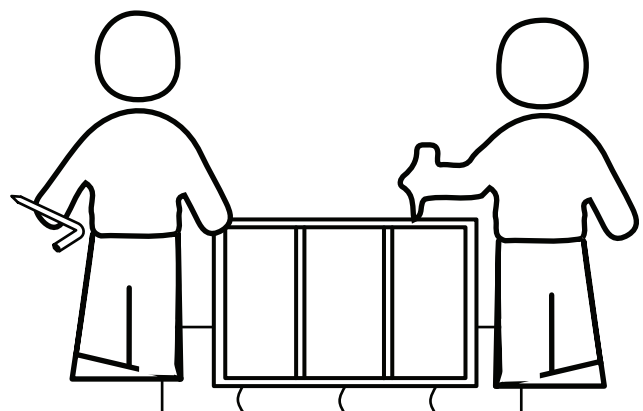
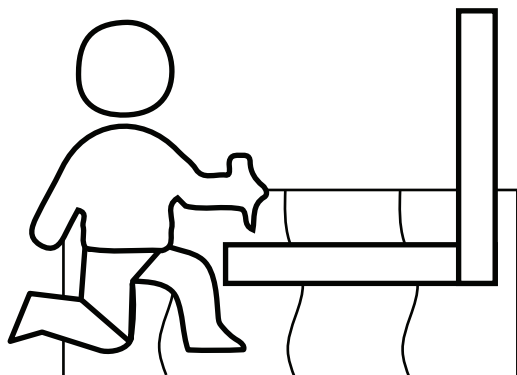
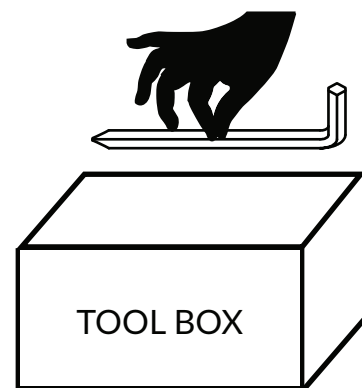
customerservice@  
boraamindustries.com



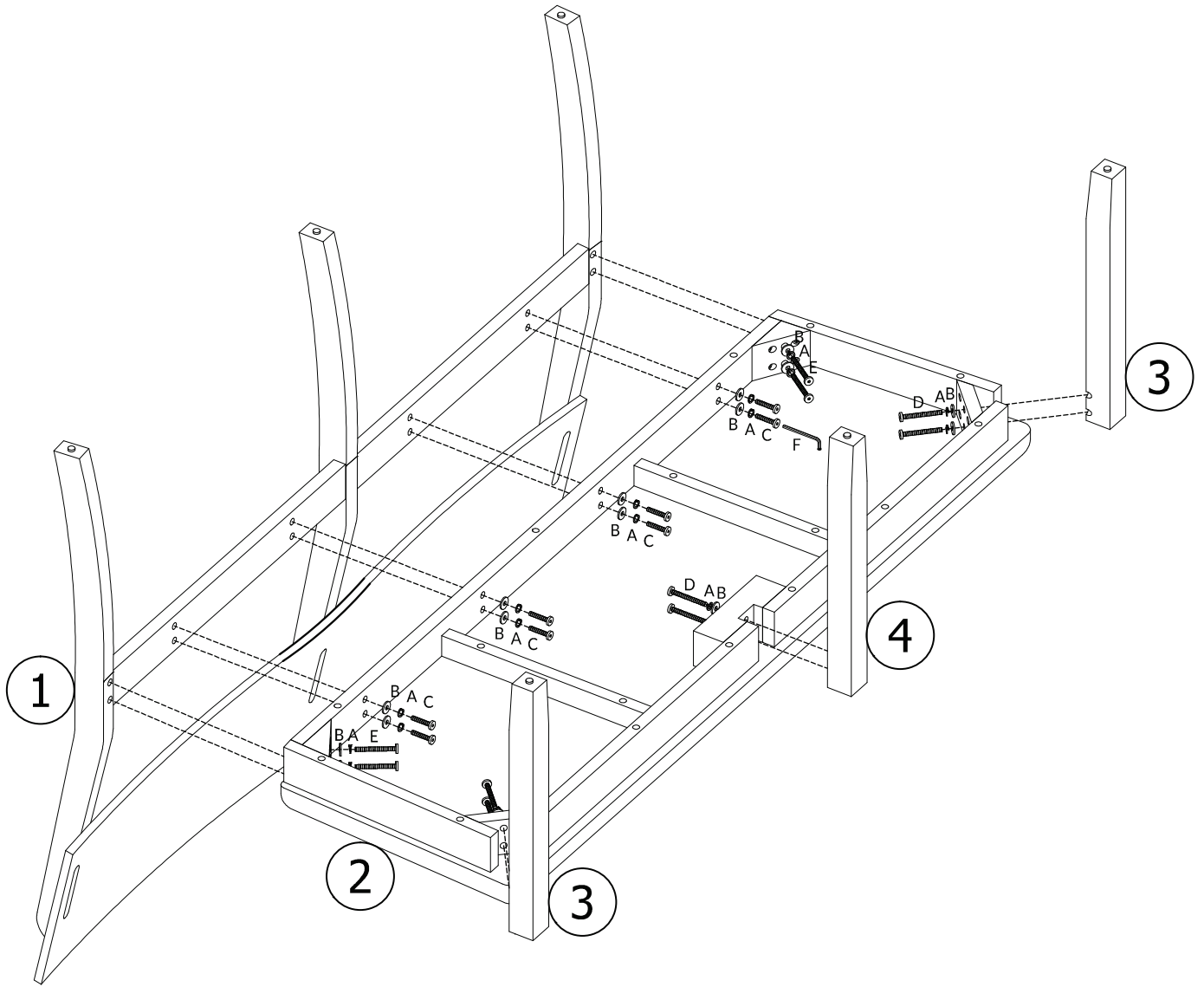
www.boraamindustries.com

# Assembly And Care

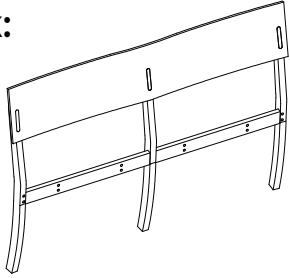
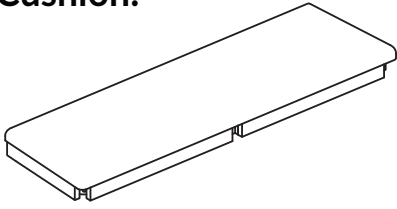


- All tools required for assembly are included unless noted.
- Prior to assembly, check for missing or damaged parts.
- Do not dispose of packaging materials until assembly is completed.
- Assemble item on a soft, clean surface to prevent damage to the item.




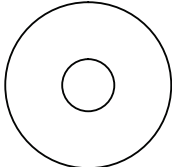
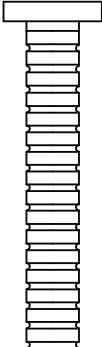
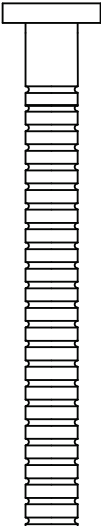
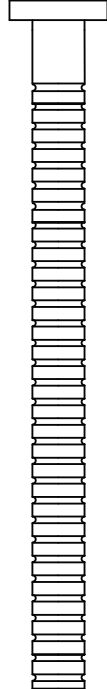

# Assembly Overview



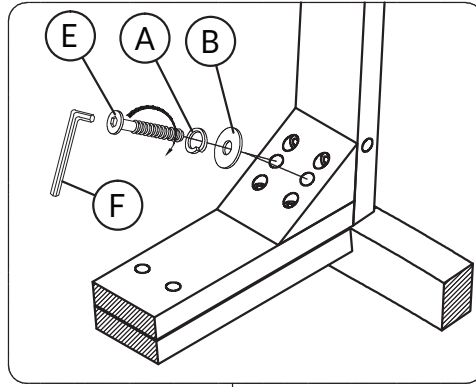
# PARTS

① (x1)	② (x1)
<b>Chair Back:</b> 	<b>Seat Cushion:</b> 
③ (x2)	④ (x1)
<b>Leg:</b> 	<b>Middle Leg:</b> 

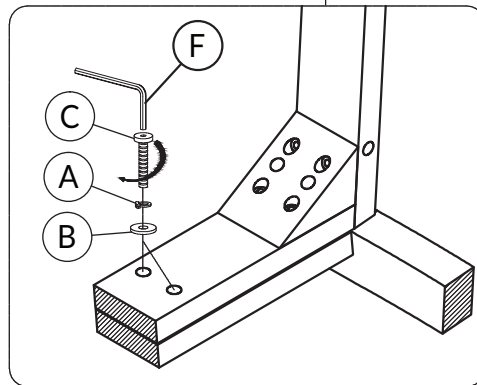
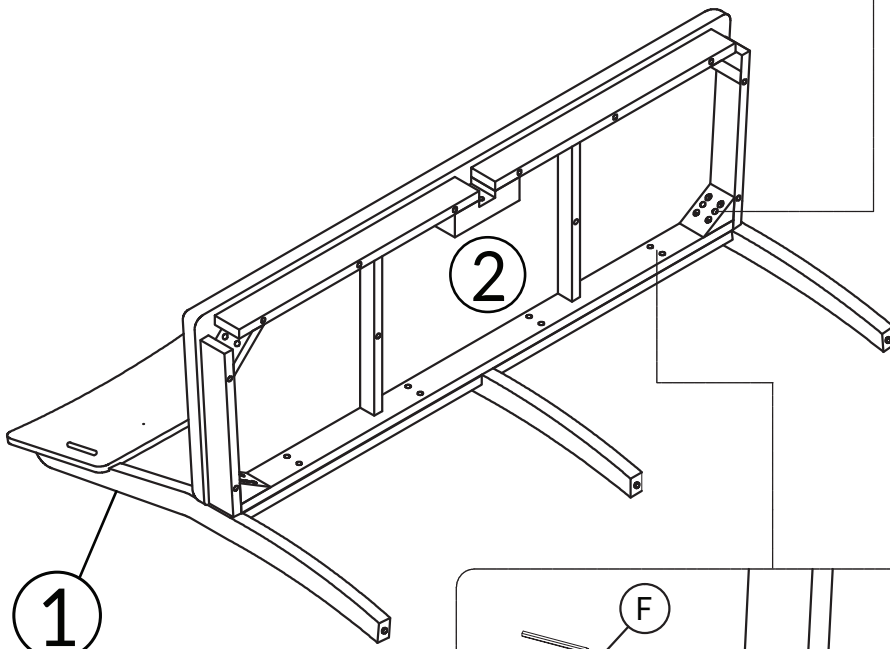
# HARDWARE

Ⓐ (x18)	Ⓑ (x18)	Ⓒ (x8)	Ⓓ (x6)	Ⓔ (x4)	Ⓕ (x1)
					
Spring Washer	Flat Washer	Bolt M6x40	Bolt M6x60	Bolt M6x80	Allen Wrench

# 01



4X

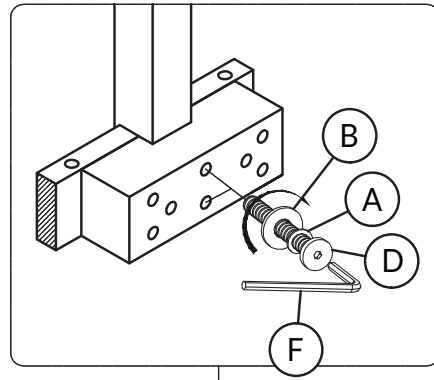


8X

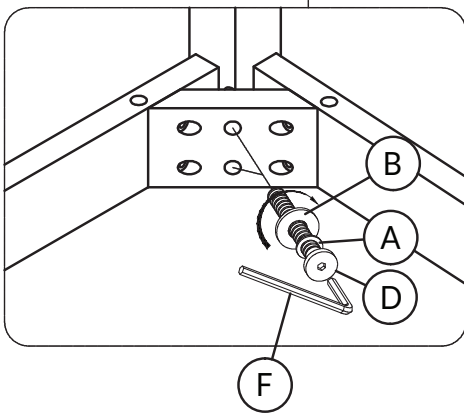
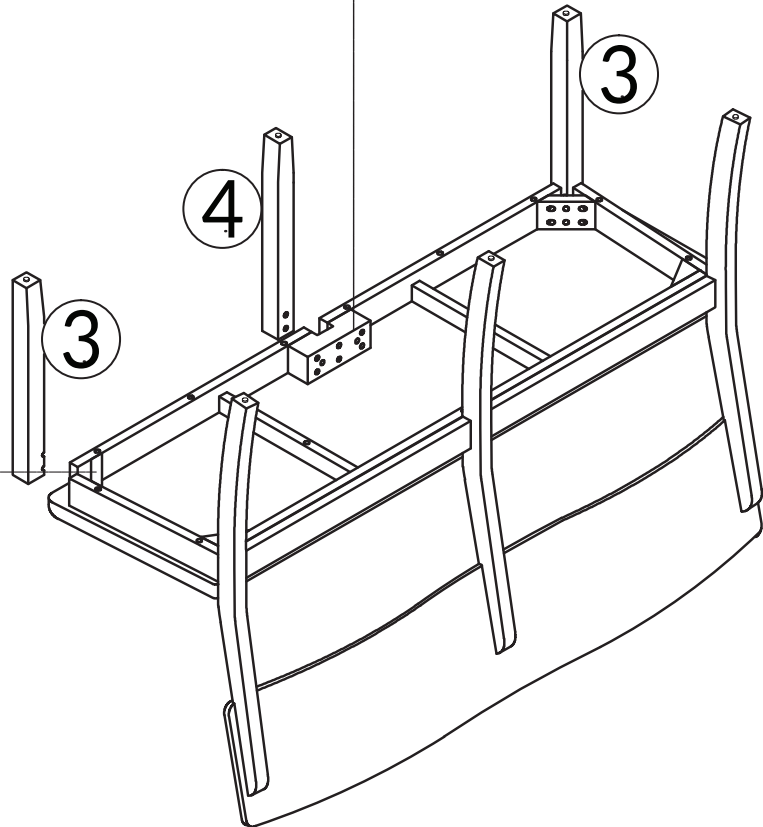
Hardware	Count
A	12
B	12
C	8
E	4
F	1

TIGHTEN BOLT COMPLETELY.

# 02



2X

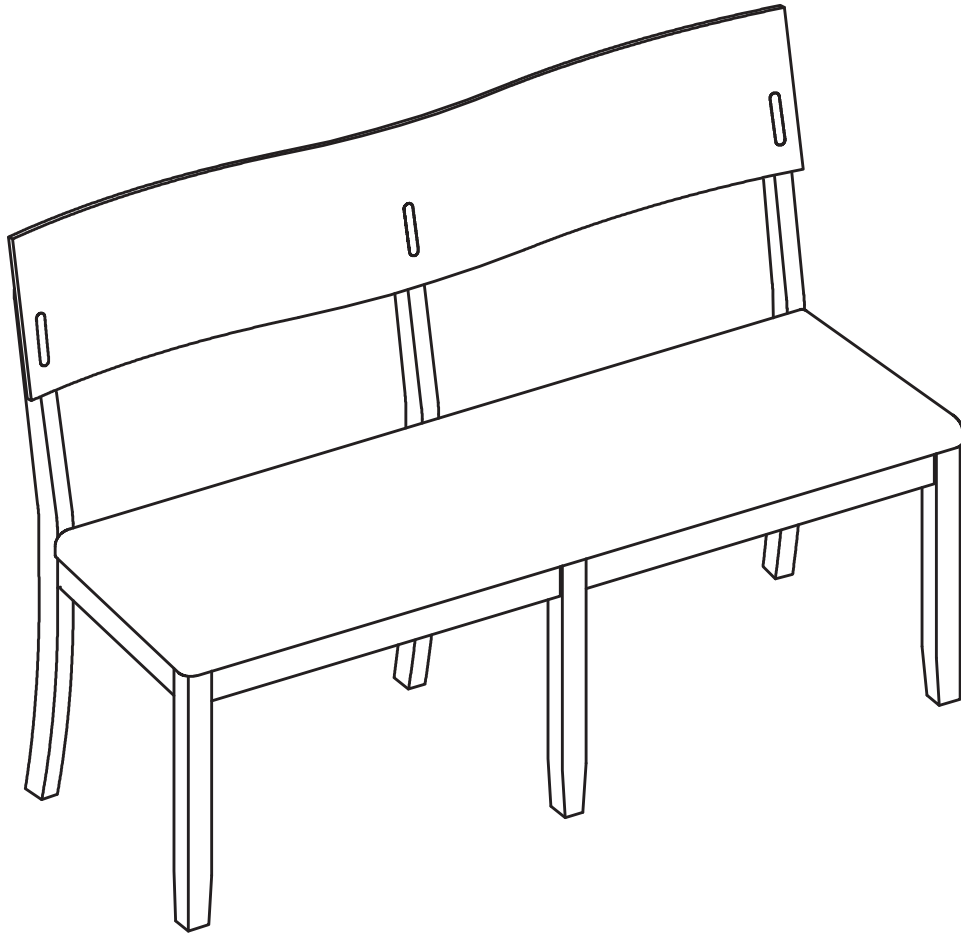


4X

Hardware	Count
A	6
B	6
D	6
F	1

TIGHTEN BOLT COMPLETELY.

**Note: Maximum Capacity- 2 person,  
300lbs per seat**



**BE SURE TO CHECK ALL BOLTS ARE SECURELY TIGHTENED PRIOR TO USE.**

847-949-6300 | 877-267-2261 | [customerservice@boraamindustries.com](mailto:customerservice@boraamindustries.com)