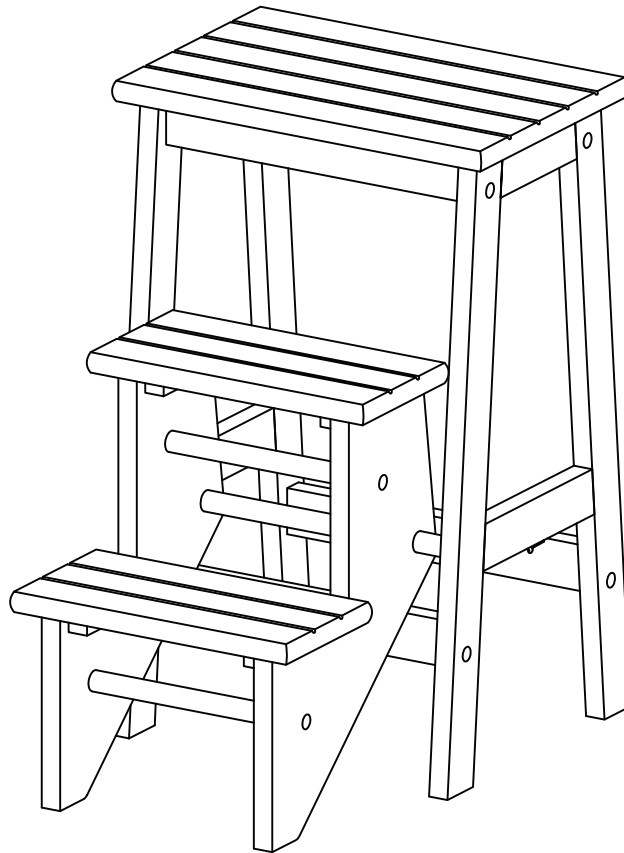




# Boraam Industries

ASSEMBLY INSTRUCTIONS

SKU: 36624 | CAROLINA 24" STEP STOOL



Weight Capacity

Version 1 / Updated as of 11-17-23



Have questions about assembling your item?



Items or parts damaged?



Missing a part?

**We're here to help! (Monday-Friday from 9am-5pm CST)**



847-949-6300  
877-267-2261



customerservice@  
boraamindustries.com



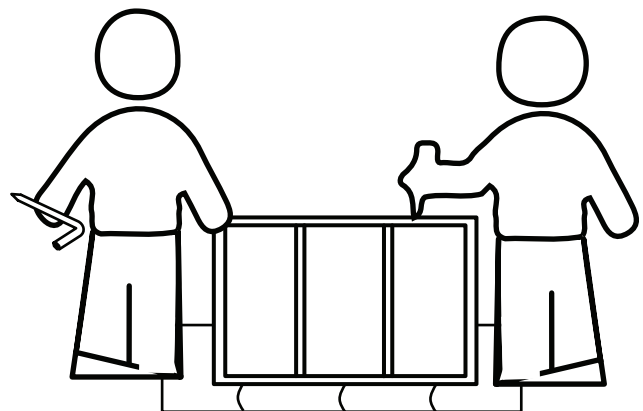
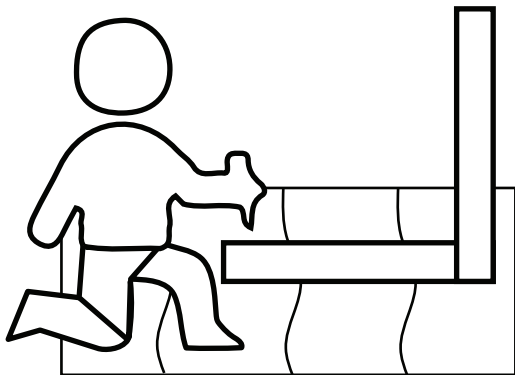
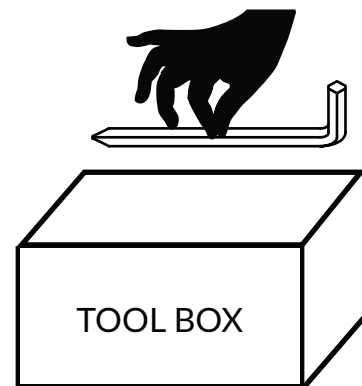
www.boraamindustries.com



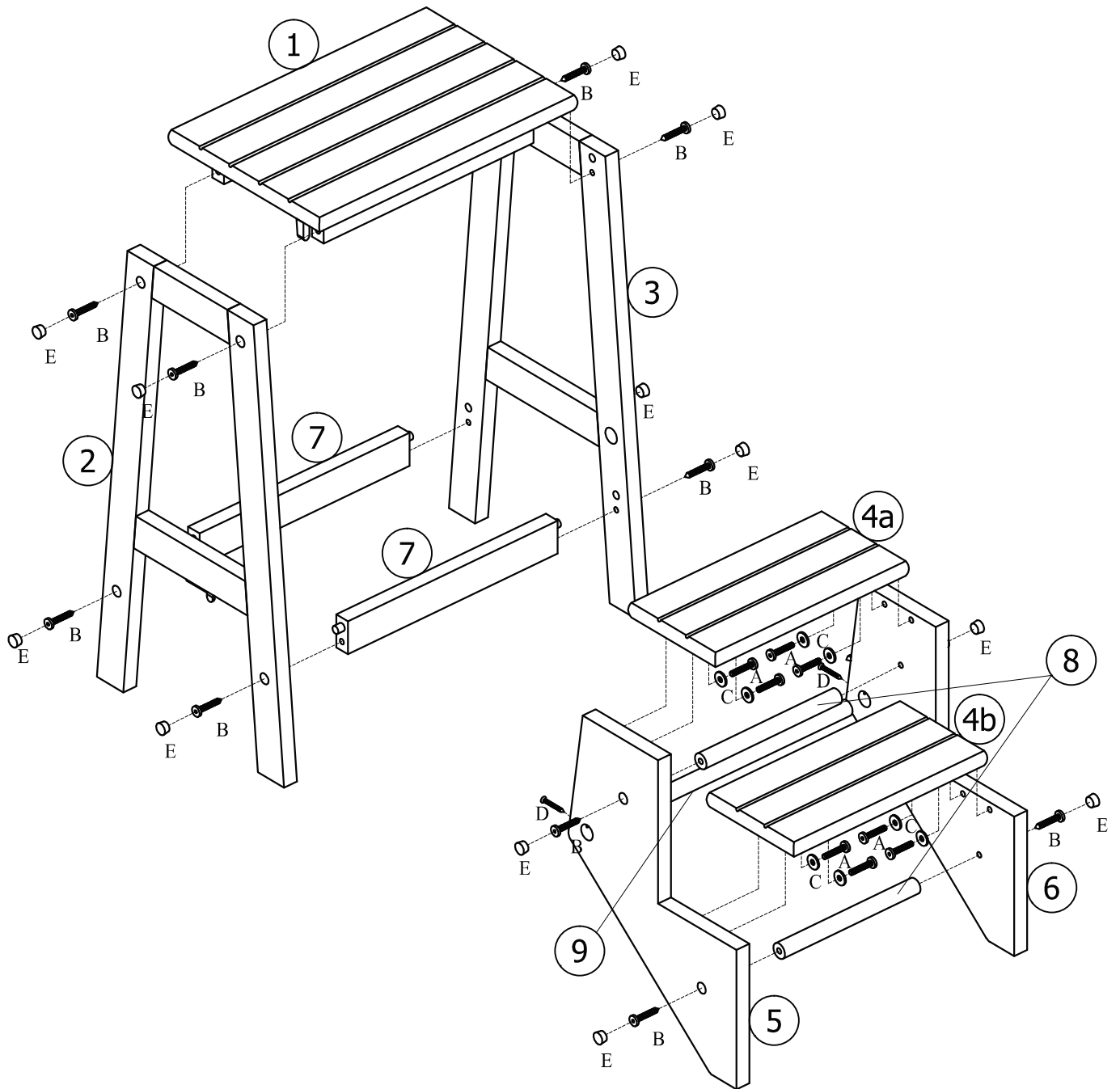
Philips screwdriver  
not included.

# Assembly And Care

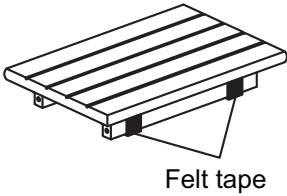
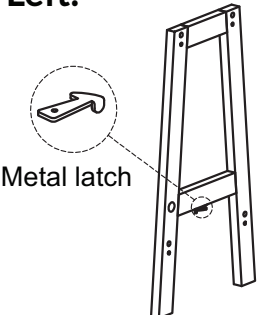


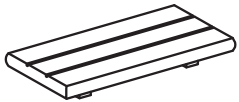
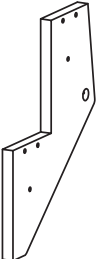
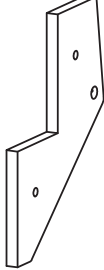



- All tools required for assembly are included unless noted.
- Prior to assembly, check for missing or damaged parts.
- Do not dispose of packaging materials until assembly is completed.
- Assemble item on a soft, clean surface to prevent damage to the item.



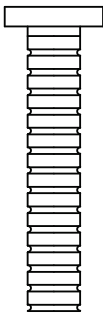
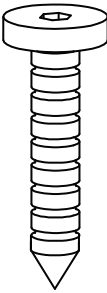
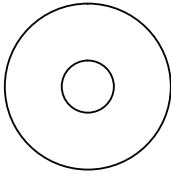
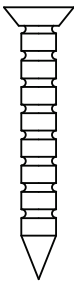
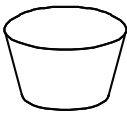

# Assembly Overview



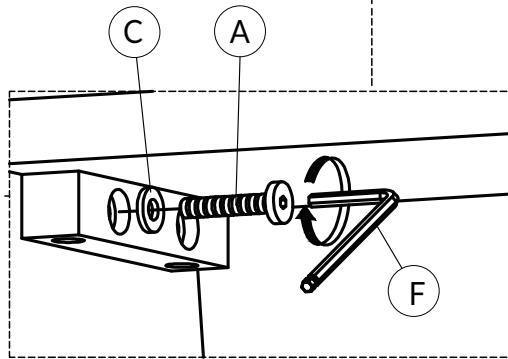
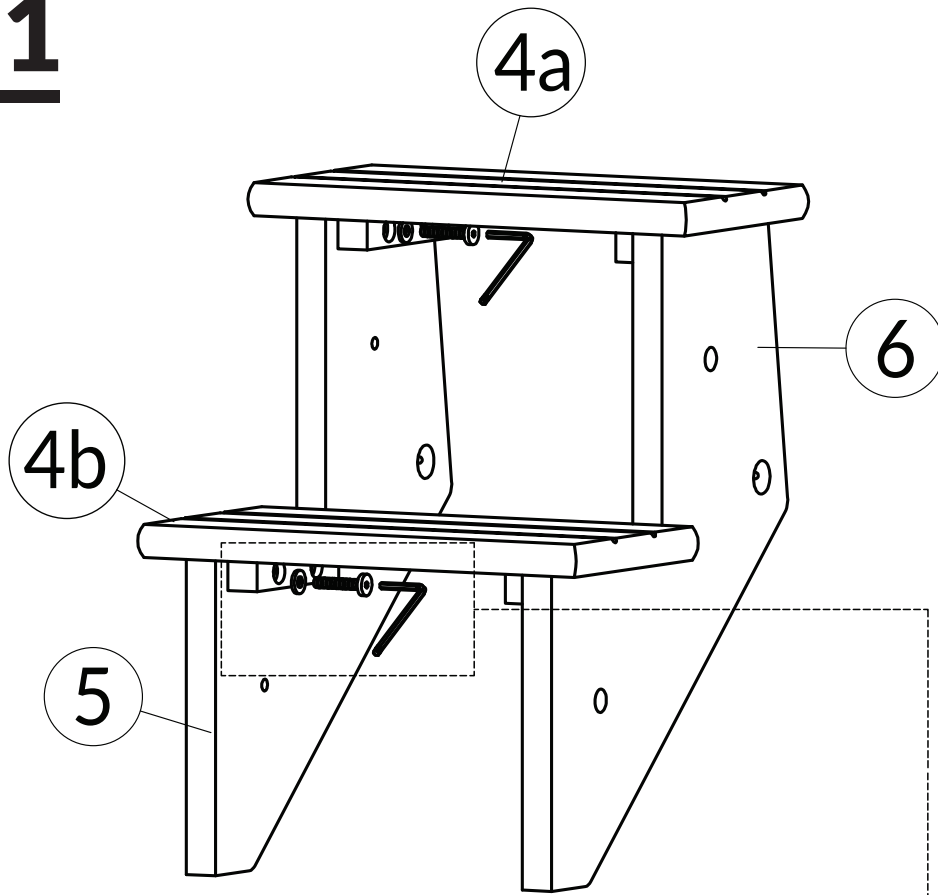
# PARTS

<p>① (x1)</p>	<p>② (x1)</p>	<p>③ (x1)</p>	<p>④ (x2)</p>	
<p><b>Top panel:</b></p>  <p>Felt tape</p>	<p><b>Left:</b></p>  <p>Metal latch</p>	<p><b>Right:</b></p> 	<p><b>Bottom step:</b></p> <p>④a</p>  <p>④b</p> 	
<p>⑤ (x1)</p>	<p>⑥ (x1)</p>	<p>⑦ (x2)</p>	<p>⑧ (x2)</p>	<p>⑨ (x1)</p>
<p><b>Left:</b></p> 	<p><b>Right:</b></p> 			

# HARDWARE

<p>Ⓐ (x8)</p>	<p>Ⓑ (x12)</p>	<p>Ⓒ (x8)</p>	<p>Ⓓ (x2)</p>	<p>Ⓔ (x12)</p>	<p>Ⓕ (x1)</p>
					
<p>Bolt M6x35</p>	<p>Screw M6x30</p>	<p>Flat Washer</p>	<p>Screw M4x30</p>	<p>Wood Button</p>	<p>Allen Wrench</p>

# 01

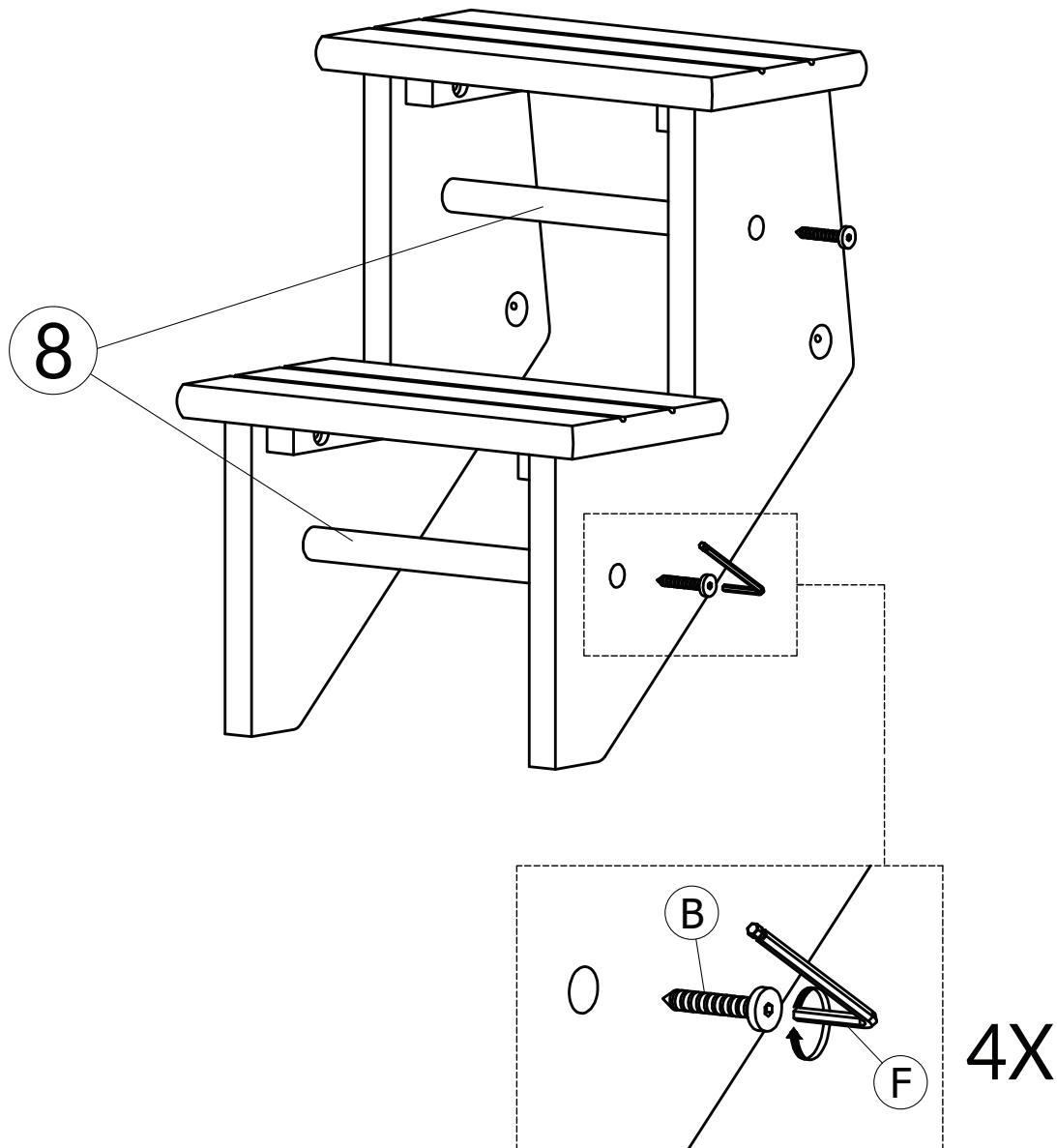


8X

Hardware	Count
A	8
C	8
F	1

DO NOT TIGHTEN BOLT COMPLETELY.

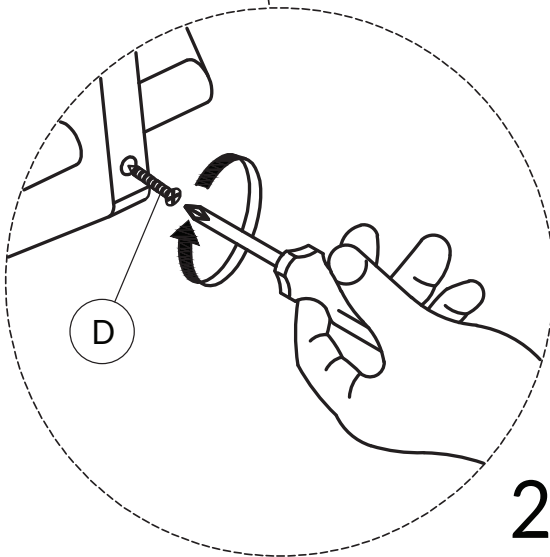
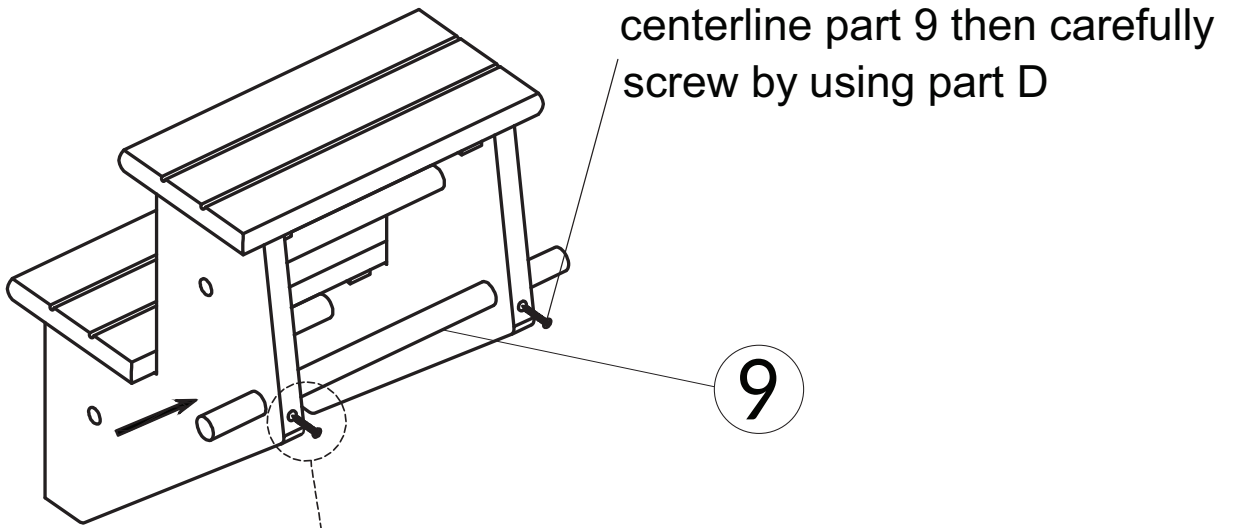
# 02



Hardware	Count
B	4
F	1

DO NOT TIGHTEN SCREW COMPLETELY.

# 03

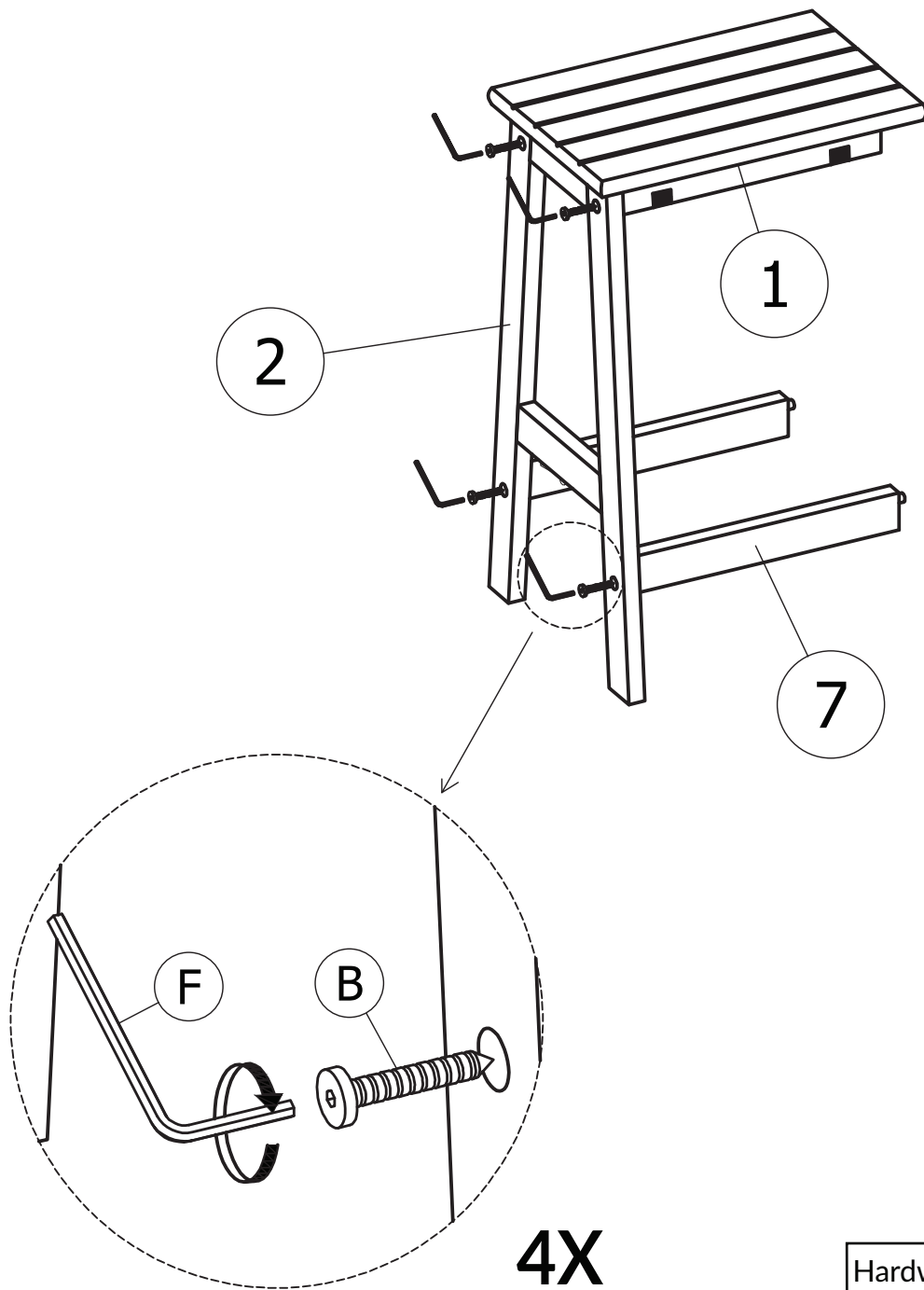


2X

Hardware	Count
D	2

TIGHTEN SCREW COMPLETELY.

# 04

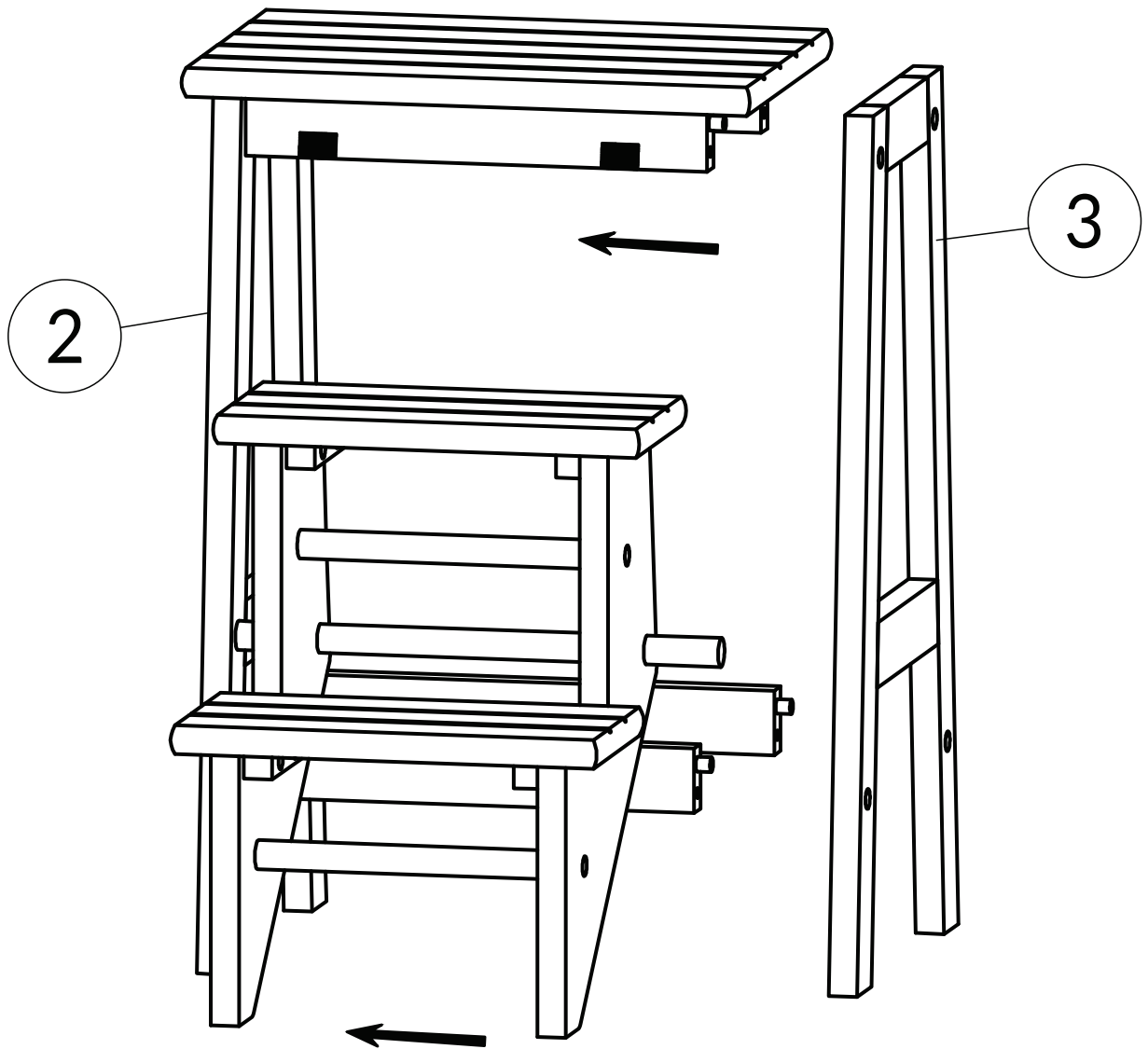


Hardware	Count
B	4
F	1

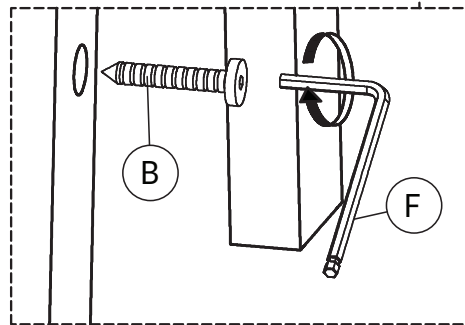
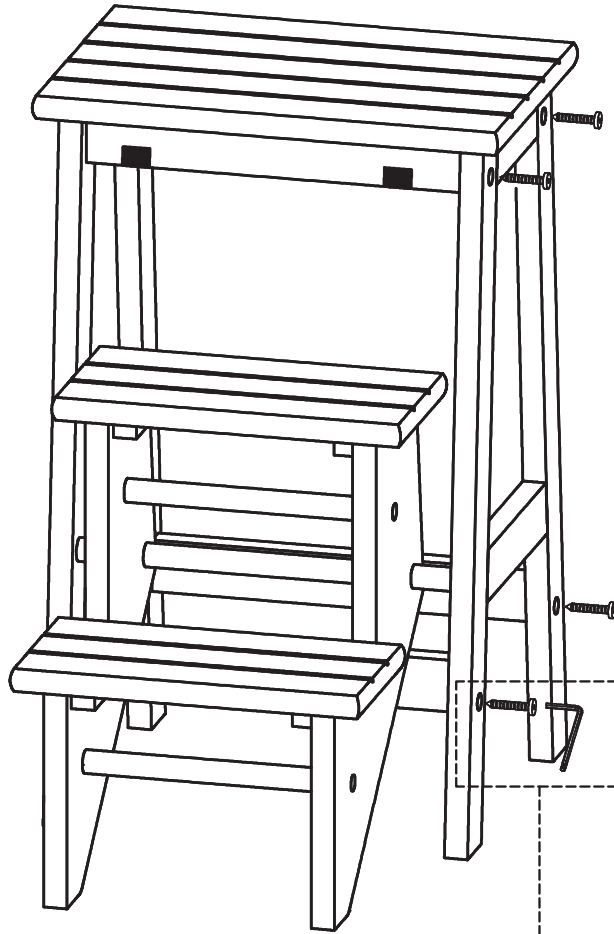
TIGHTEN SCREW COMPLETELY.



# 05



# 06

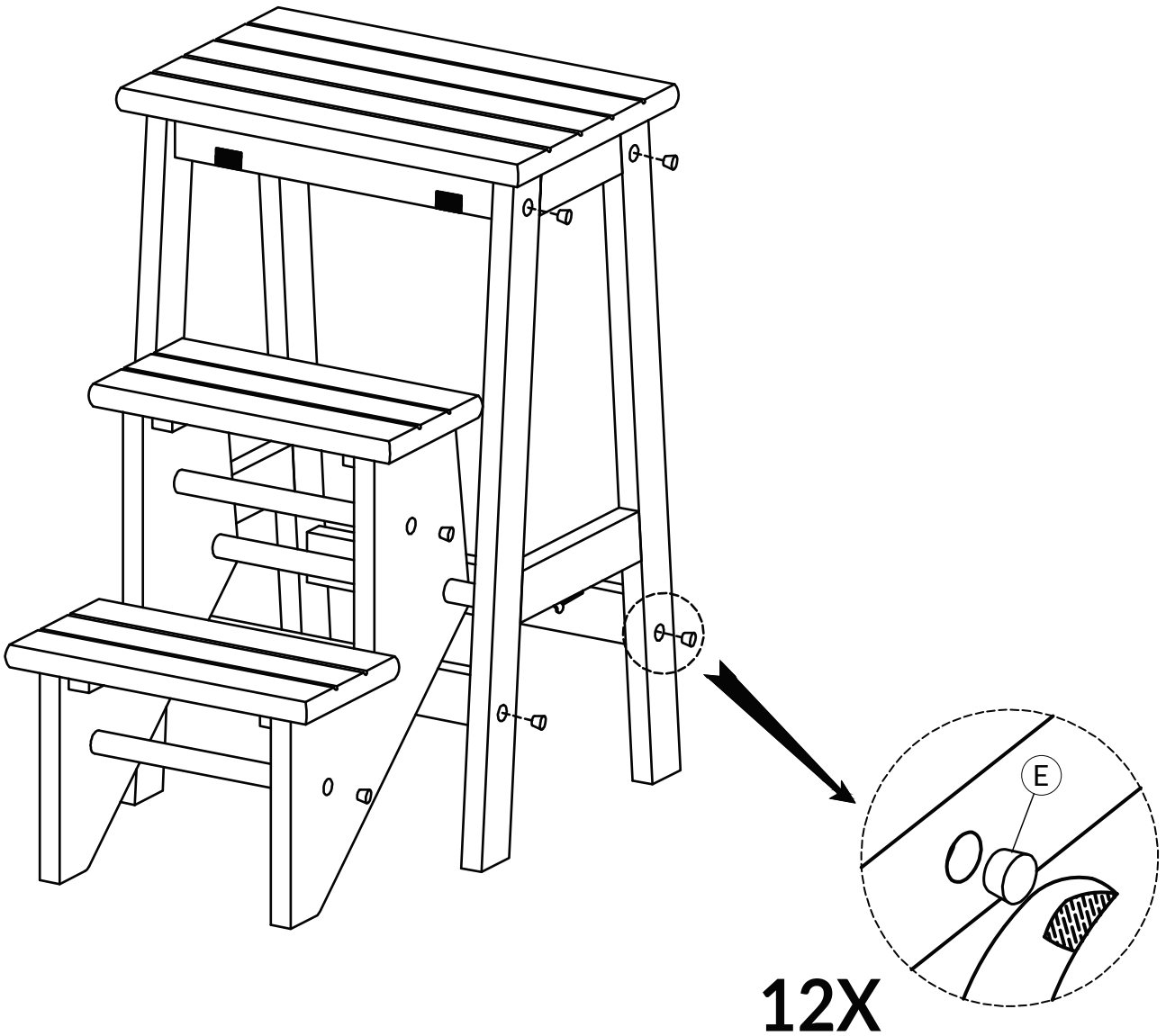


**4X**

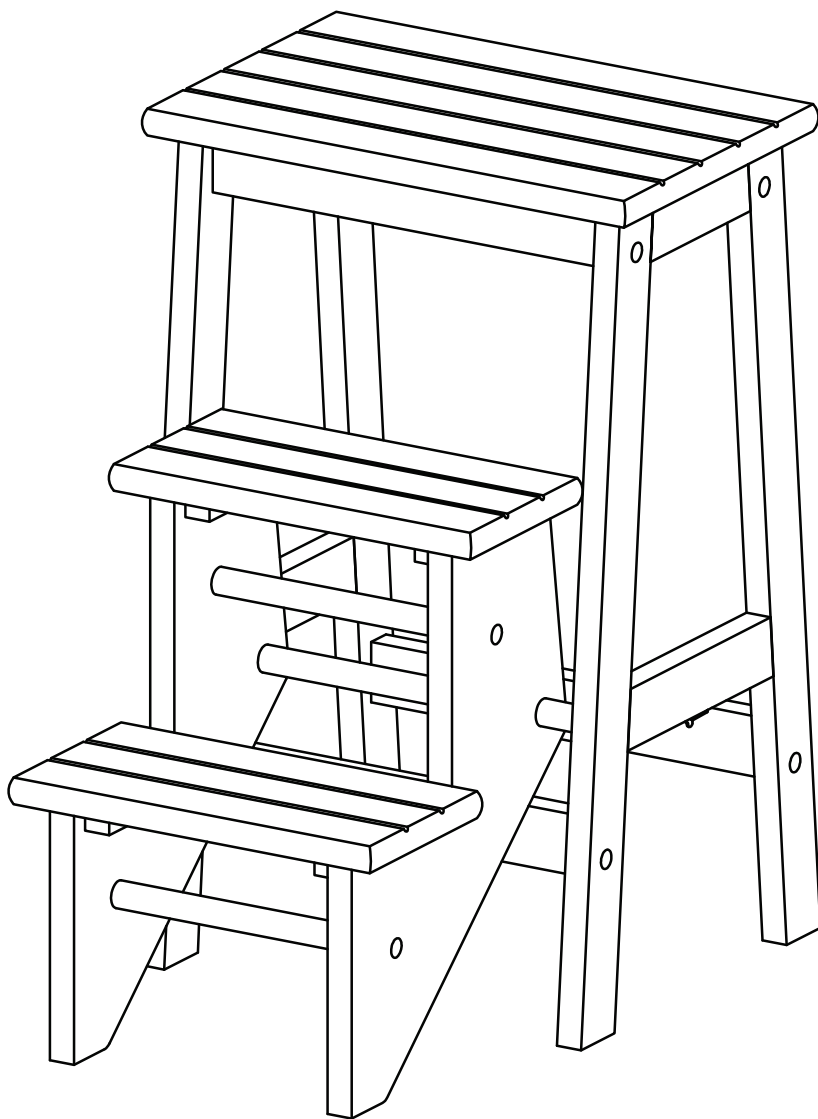
Hardware	Count
B	4
F	1

TIGHTEN BOLT AND SCREW COMPLETELY.

# 07



Hardware	Count
E	12



**Weight Capacity**

**BE SURE TO CHECK ALL BOLTS ARE SECURELY TIGHTENED PRIOR TO USE.**

847-949-6300 | 877-267-2261 | [customerservice@boraamindustries.com](mailto:customerservice@boraamindustries.com)