

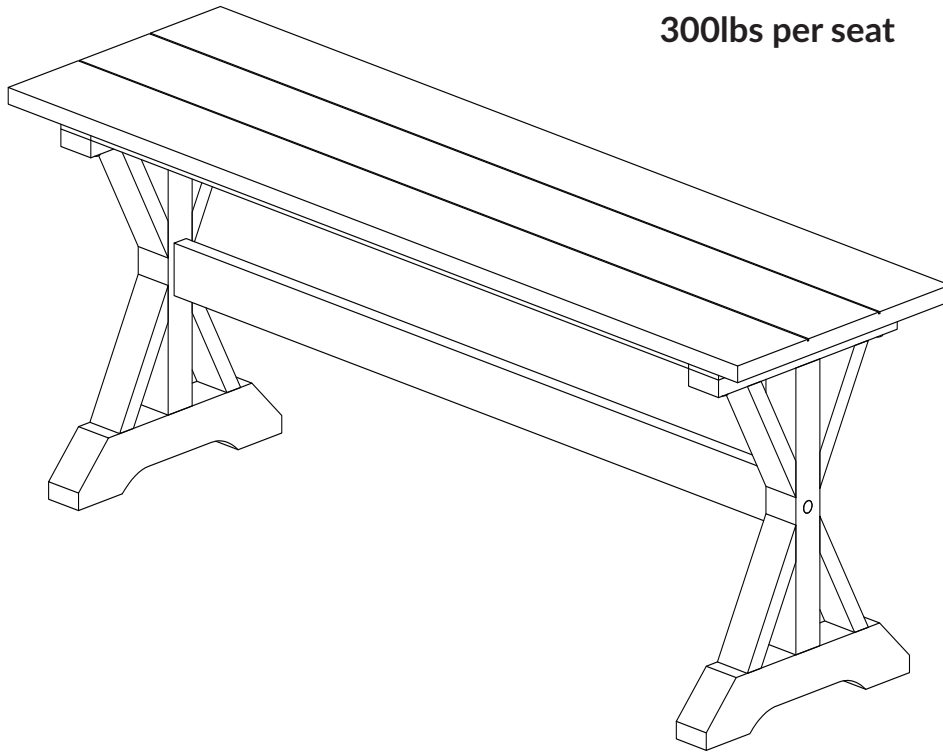


Boraam Industries

ASSEMBLY INSTRUCTIONS

SKU: 77404 | JAMESTOWN DINING BENCH

**Note: Maximum Capacity- 2 person,
300lbs per seat**



Version 1 / Updated as of 11-17-23



Have questions about
assembling your item?



Items or parts damaged?



Missing a part?

We're here to help! (Monday-Friday from 9am-5pm CST)



847-949-6300
877-267-2261



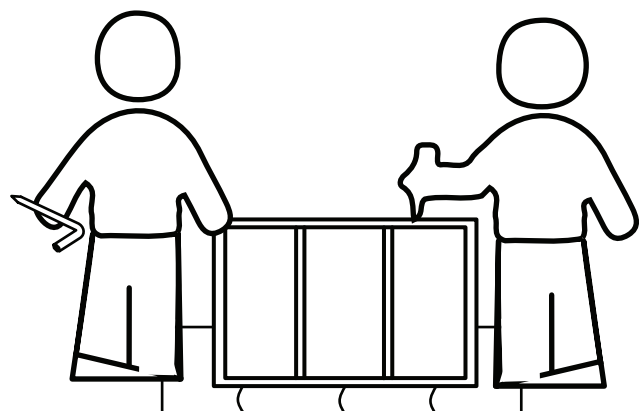
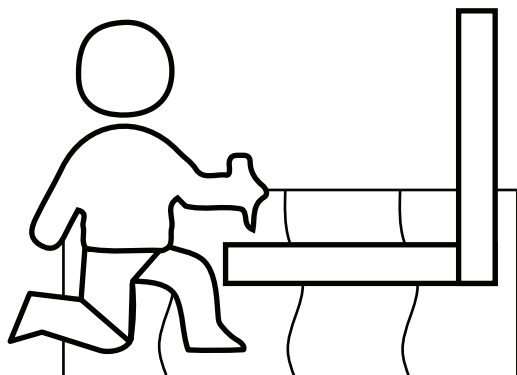
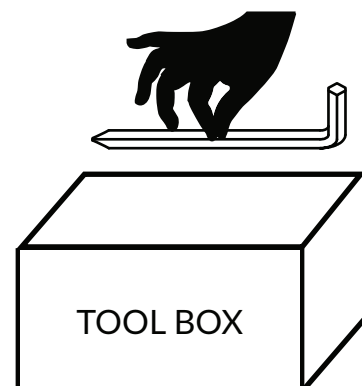
customerservice@
boraamindustries.com



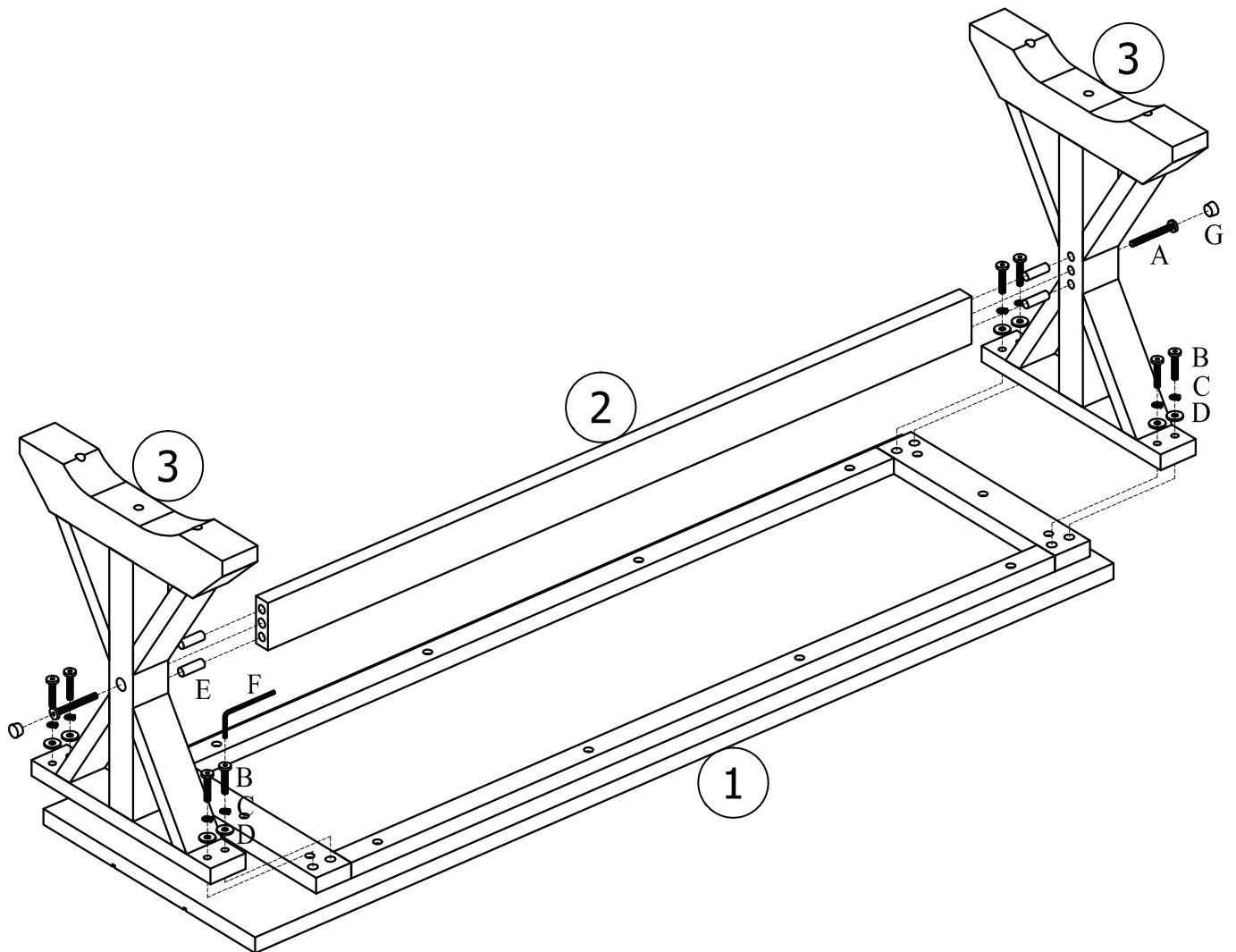
www.boraamindustries.com

Assembly And Care

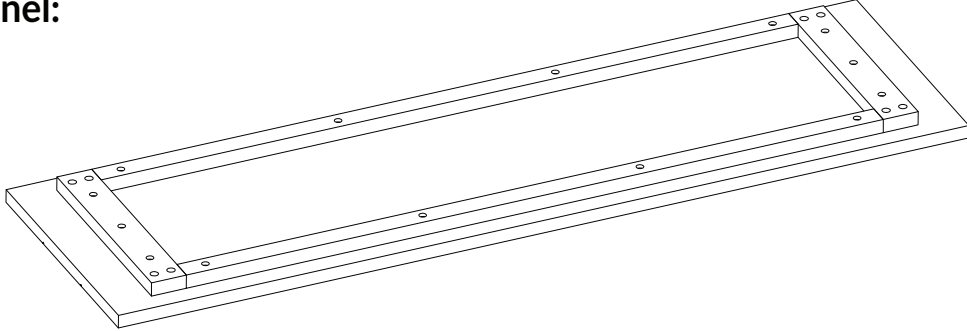
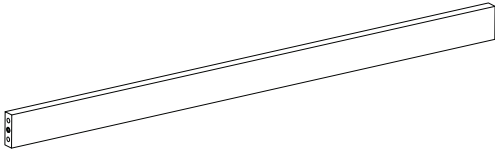
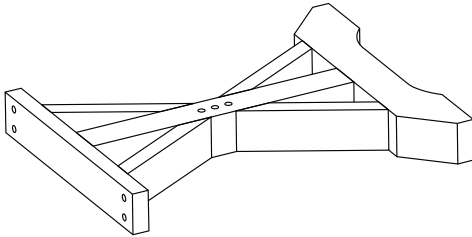
- All tools required for assembly are included unless noted.
- Prior to assembly, check for missing or damaged parts.
- Do not dispose of packaging materials until assembly is completed.
- Assemble item on a soft, clean surface to prevent damage to the item.



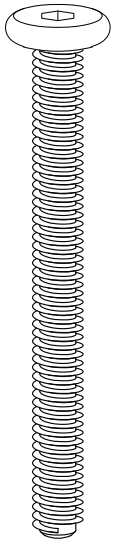
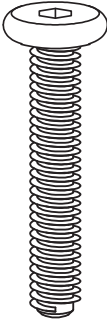
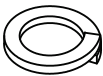
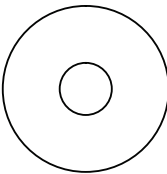

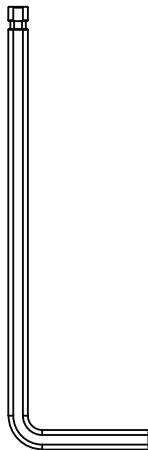

Assembly Overview



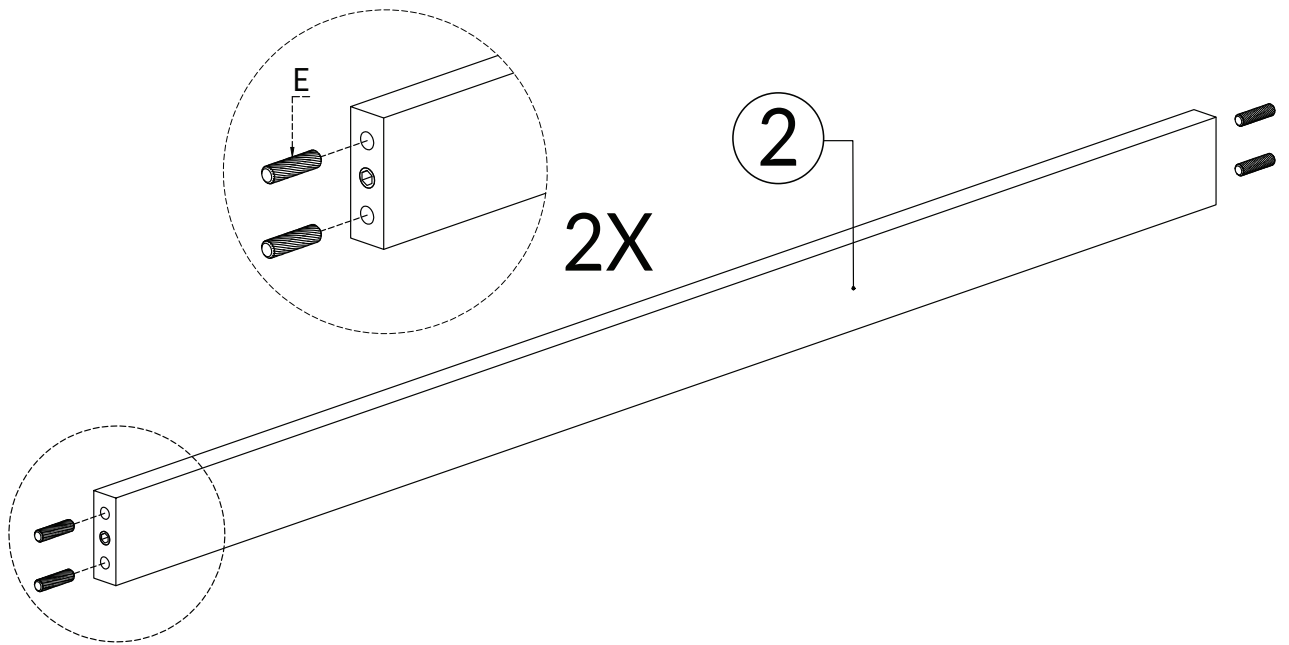
PARTS

① (x1)	
Top Panel: 	
② (x1)	③ (x2)
Crossbar: 	Leg: 

HARDWARE

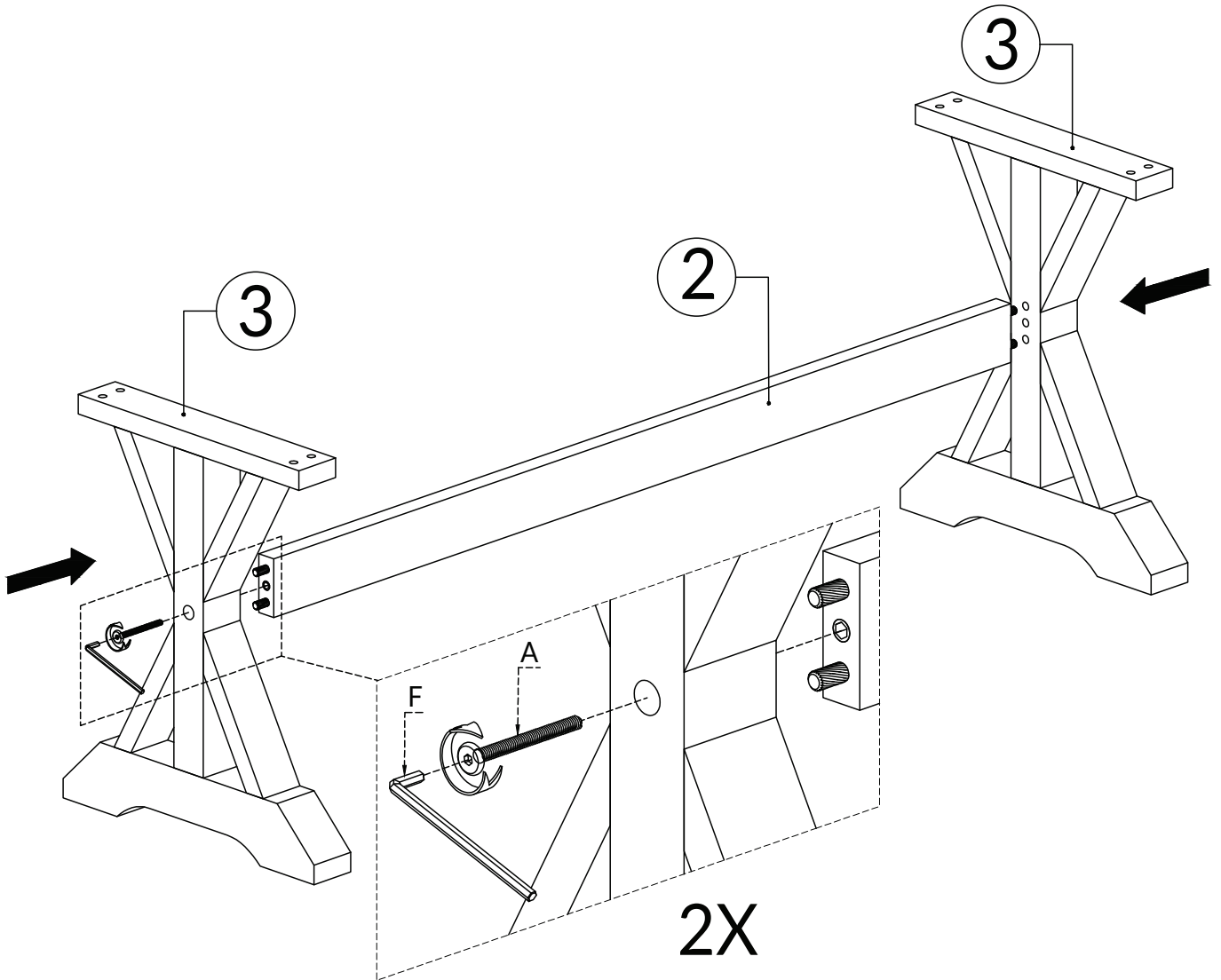
Ⓐ (x2)	Ⓑ (x8)	Ⓒ (x8)	Ⓓ (x8)	Ⓔ (x4)	Ⓕ (x1)	Ⓖ (x2)
						
Bolt M6x60	Bolt M6x35	Spring Washer	Flat Washer	Wooden Dowel	Allen Wrench	Wood Button

01



Hardware	Count
E	4

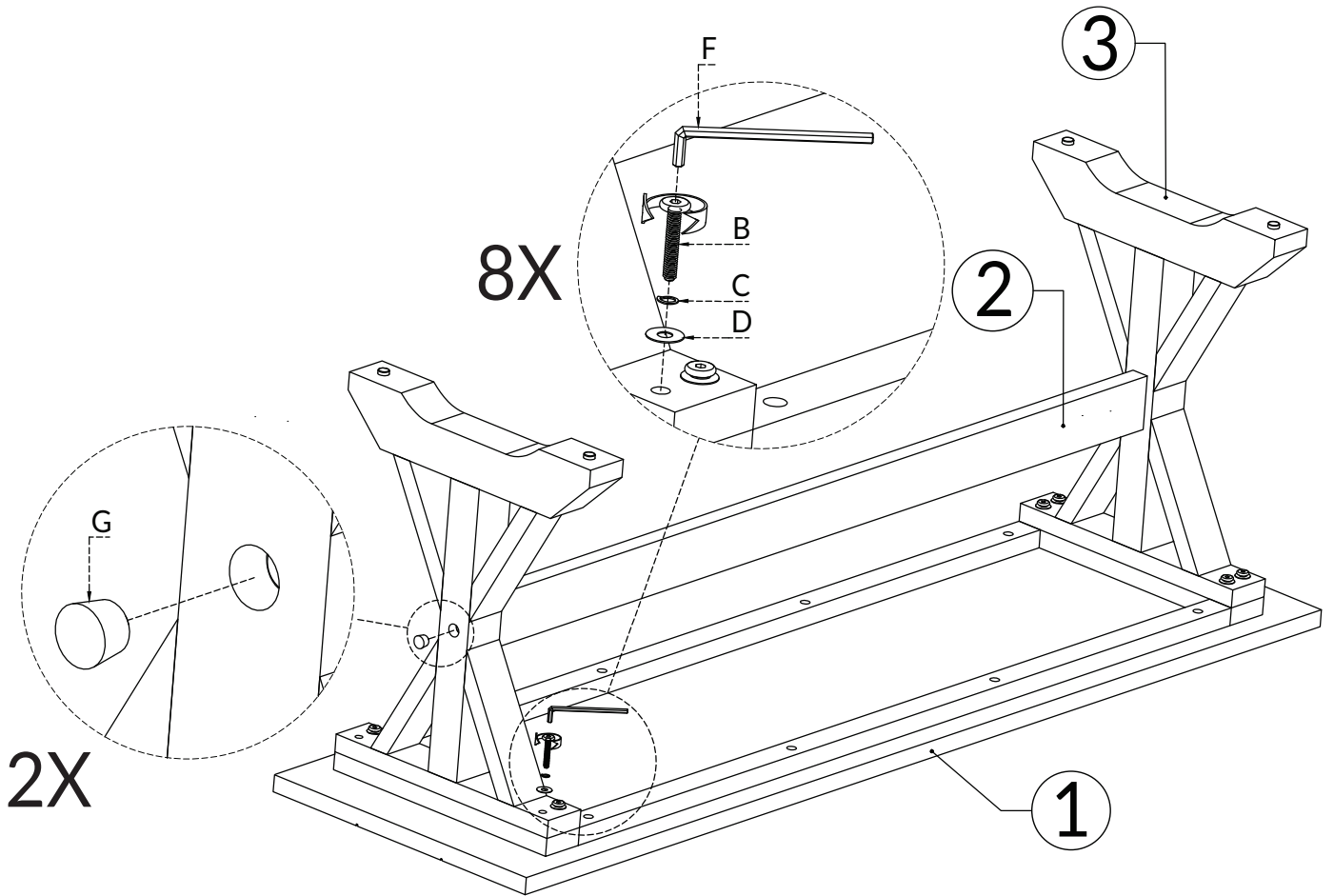
02



Hardware	Count
A	2
F	1

TIGHTEN BOLT COMPLETELY.

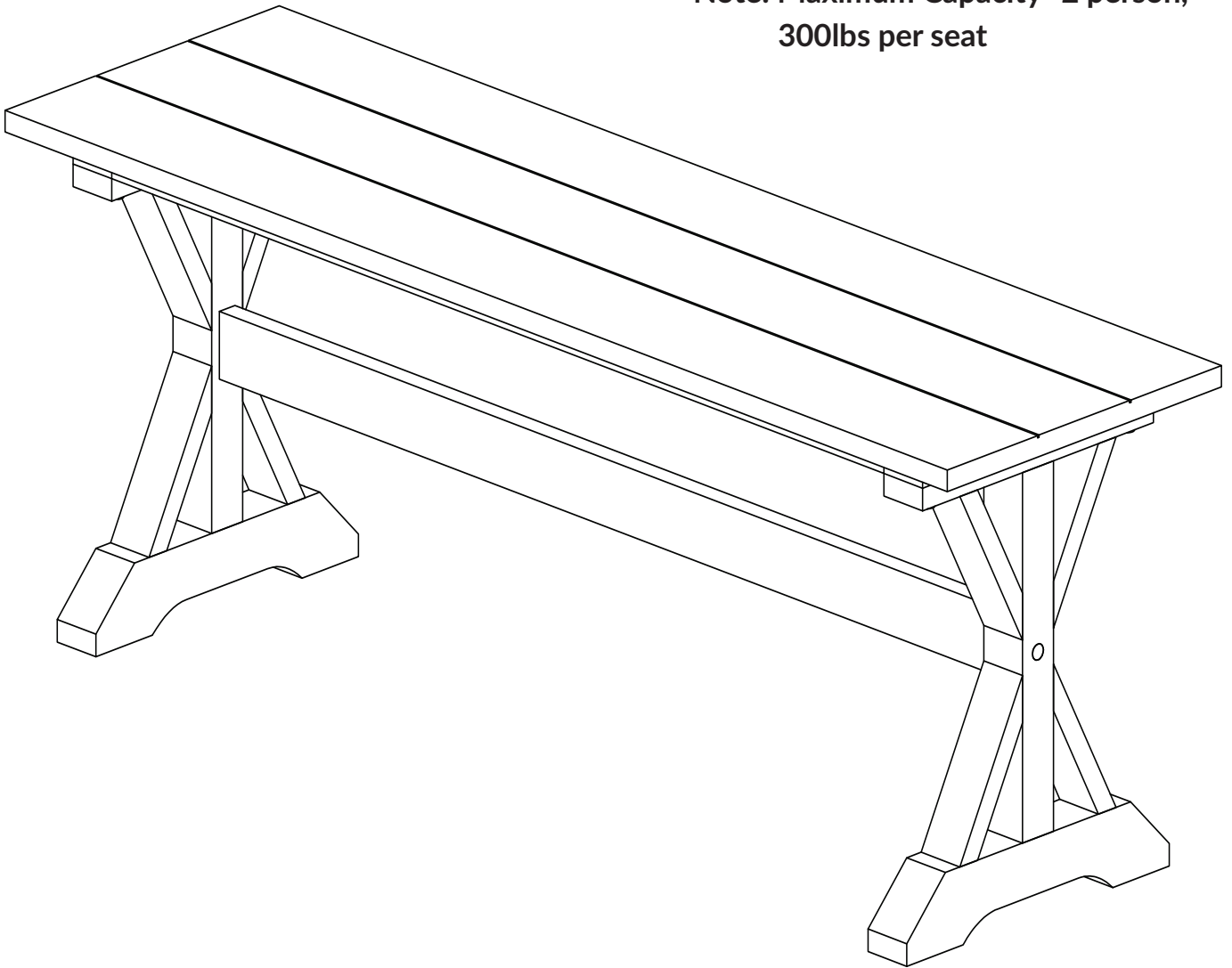
03



Hardware	Count
B	8
C	8
D	8
F	1
G	2

TIGHTEN BOLT COMPLETELY.

**Note: Maximum Capacity- 2 person,
300lbs per seat**



BE SURE TO CHECK ALL BOLTS ARE SECURELY TIGHTENED PRIOR TO USE.

847-949-6300 | 877-267-2261 | customerservice@boraamindustries.com