



Boraam Industries

ASSEMBLY INSTRUCTIONS

SKU: 18120 | FRANCESCA STOOL



Weight Capacity



Locate the **HARDWARE PACK** which is attached to the shipping carton with red tape.

01/2024



Have questions about assembling your item?



Items or parts damaged?



Missing a part?

We're here to help! (Monday-Friday from 9am-5pm CST)



847-949-6300
877-267-2261



customerservice@
boraamindustries.com



www.boraamindustries.com



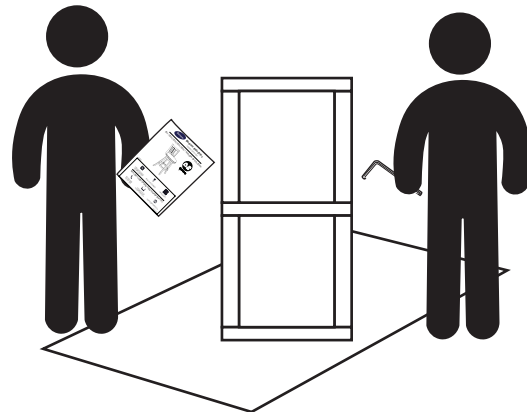
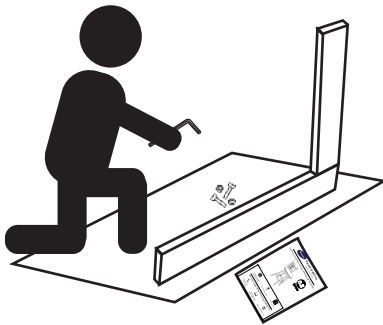
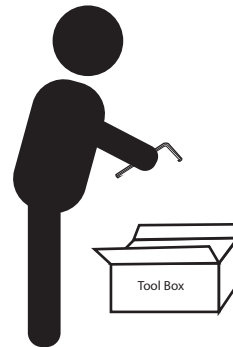
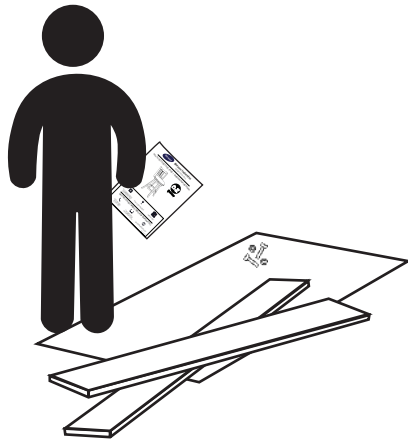
Philips screwdriver
not included.

Assembly And Care

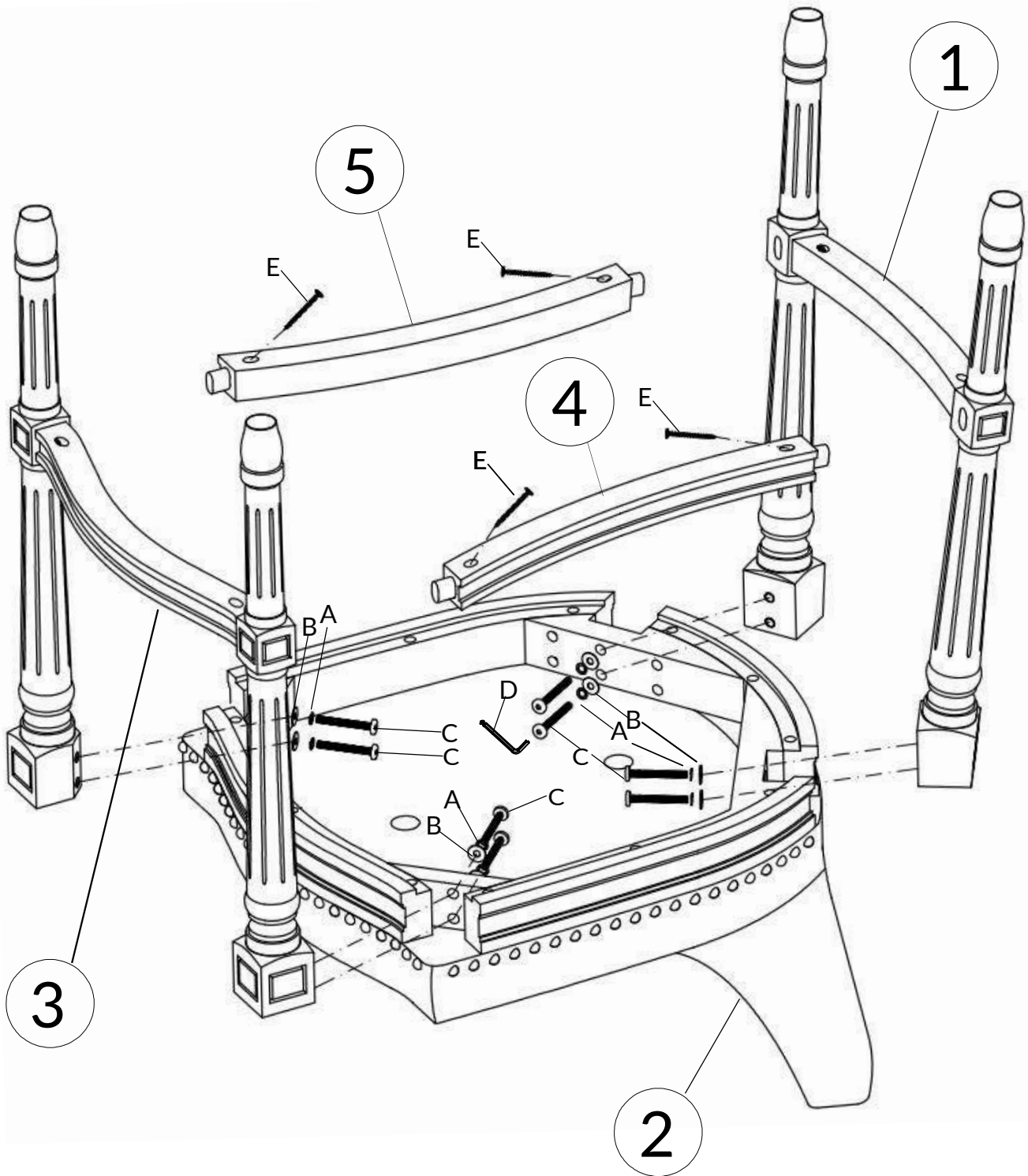
- All tools required for assembly are included unless noted.
- Prior to assembly, check for missing or damaged parts.
- Do not dispose of packing materials until assembly is completed.
- Assemble item on a soft, clean surface to prevent damage to the item.



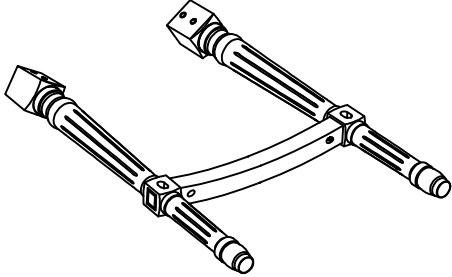
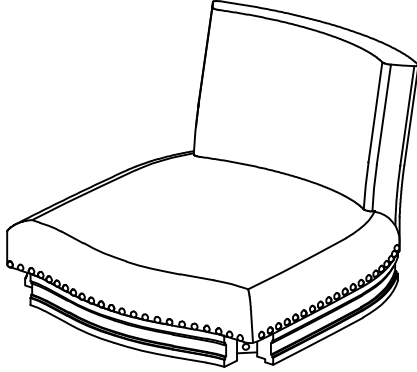
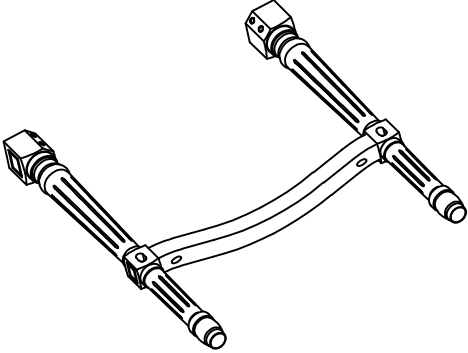
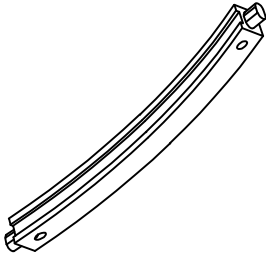
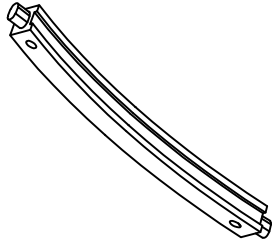
Locate the **HARDWARE PACK** which is attached to the shipping carton with red tape.



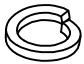
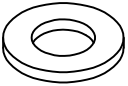
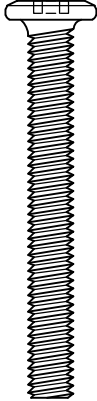
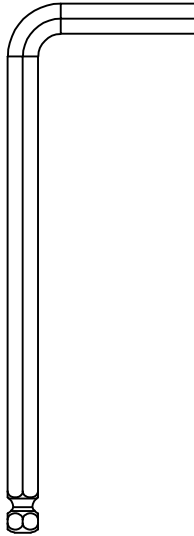
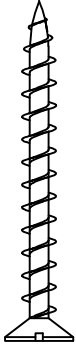
Assembly Overview



PARTS

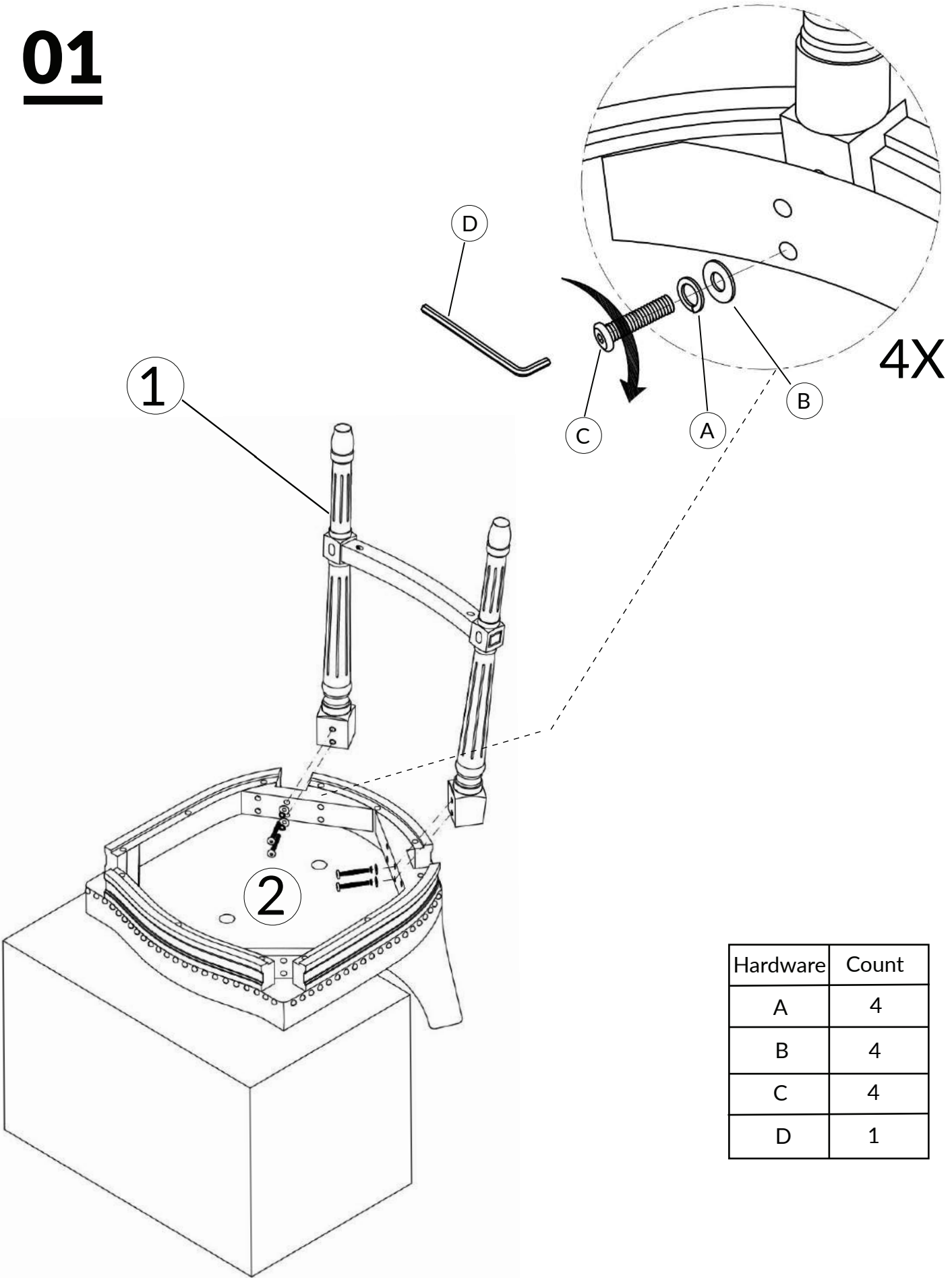
①(x1)	②(x1)	
Back Leg : 	Backrest and Seat Cushion : 	
③(x1)	④(x1)	⑤(x1)
Front Leg : 	Left Stretcher : 	Right Stretcher : 

HARDWARE

Ⓐ(x8)	Ⓑ(x8)	Ⓒ(x8)	Ⓓ(x1)	Ⓔ(x4)
				
Spring Washer M6*10	Flat Washer M6*16	Bolt M6*50	Allen Wrench M4*100	Wood Screw M4*45

847-949-6300 | 877-267-2261 | customerservice@boraamindustries.com

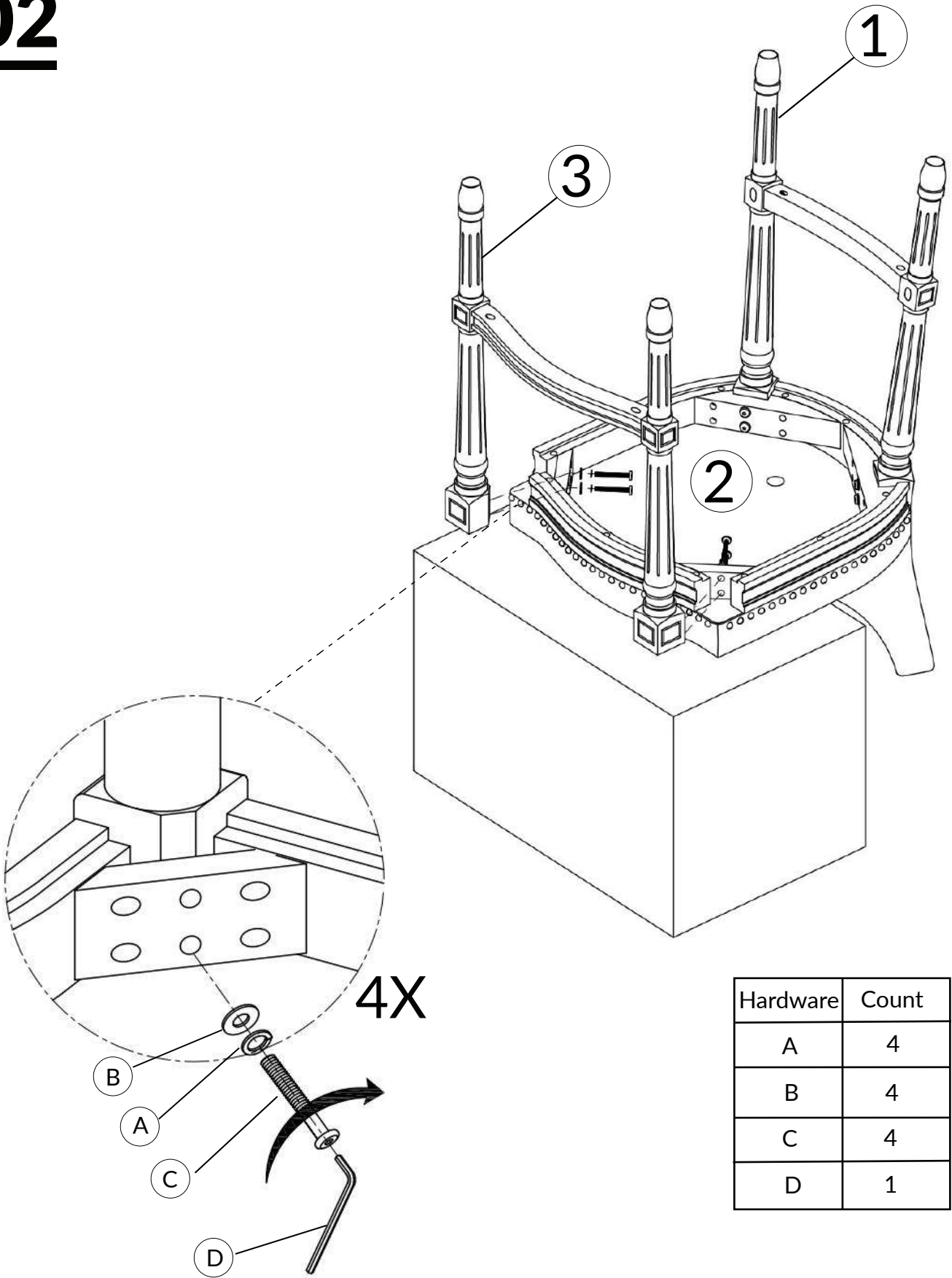
01



DO NOT TIGHTEN BOLT COMPLETELY.

847-949-6300 | 877-267-2261 | customerservice@boraamindustries.com

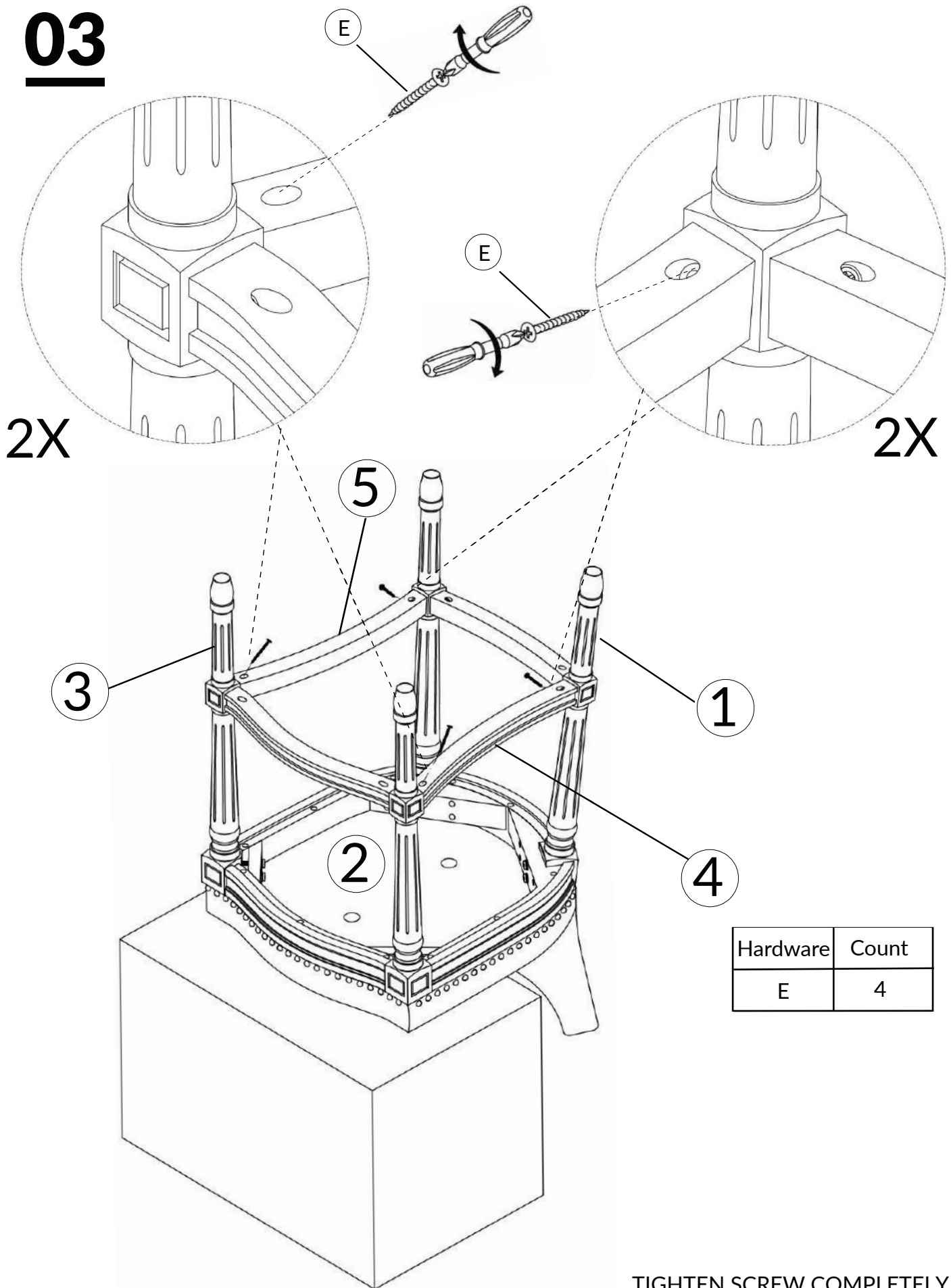
02



DO NOT TIGHTEN BOLT COMPLETELY.

847-949-6300 | 877-267-2261 | customerservice@boraamindustries.com

03



TIGHTEN SCREW COMPLETELY



Weight Capacity

BE SURE TO CHECK ALL BOLTS ARE SECURELY TIGHTENED PRIOR TO USE.

847-949-6300 | 877-267-2261 | customerservice@boraamindustries.com