



Boraam Industries

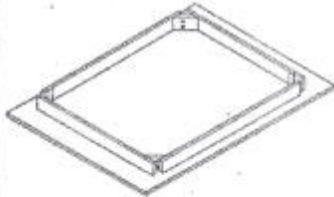
HAGEN DINING TABLE

Assembly Instructions

- Tools included
- Do not throw away packaging materials until assembly is complete
- Assemble this item on soft, clean surface to protect the product
- Proper assembly requires 2 people
- Make sure all parts are included prior to assembly

PART LIST





(A) Table Top (1PC)

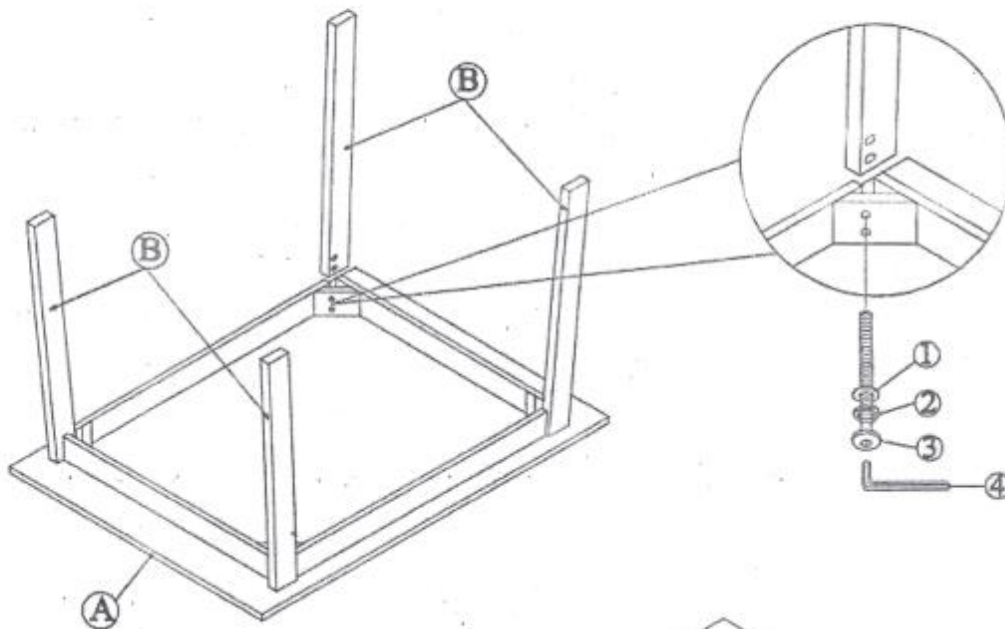


(B) Table Leg (4PCS)



HARDWARE LIST

ITEM	DESCRIPTION	QTY
1	Flat Washer M6X19 	8pcs
2	Spring Washer M6X10 	8pcs
3	JCBC Bolt M6x80 	8pcs
4	Allen Wrench 4x58 	1pc



- Assembly Complete

