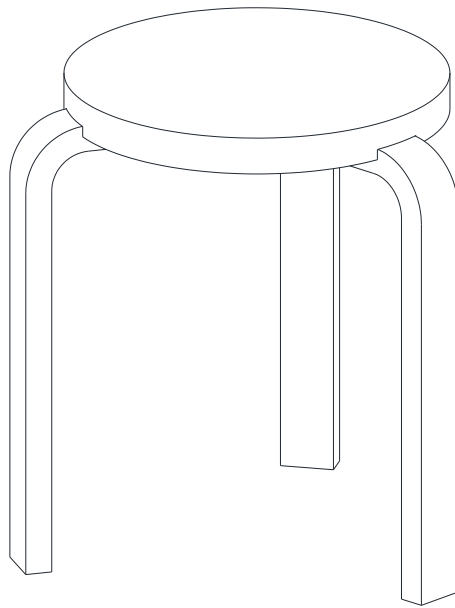




# Boraam Industries

ASSEMBLY INSTRUCTIONS

## SKU: 40018, 40118, 40218 MATEO ROUND BACKLESS STACKING STOOLS



**Weight Capacity**



Locate the **HARDWARE PACK** which is attached to the shipping carton with red tape.

11/07/2024



Have questions about assembling your item?



Items or parts damaged?



Missing a part?

**We're here to help! (Monday-Friday from 9am-5pm CST)**



847-949-6300  
877-267-2261



customerservice@  
boraamindustries.com



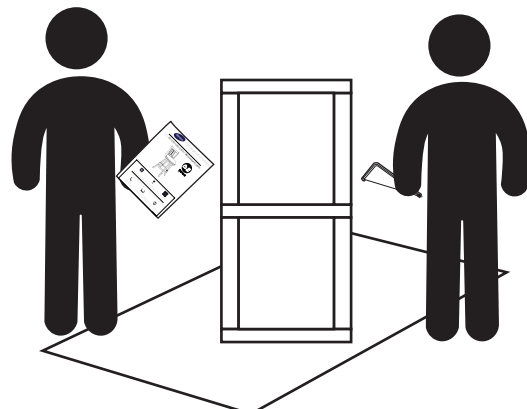
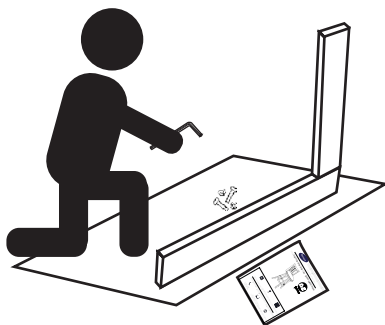
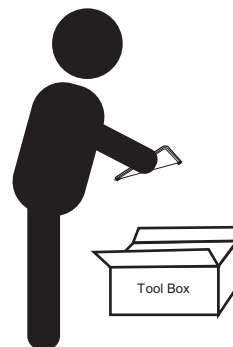
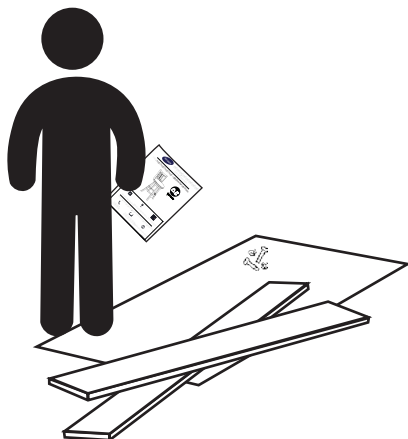
www.boraamindustries.com

# Assembly And Care

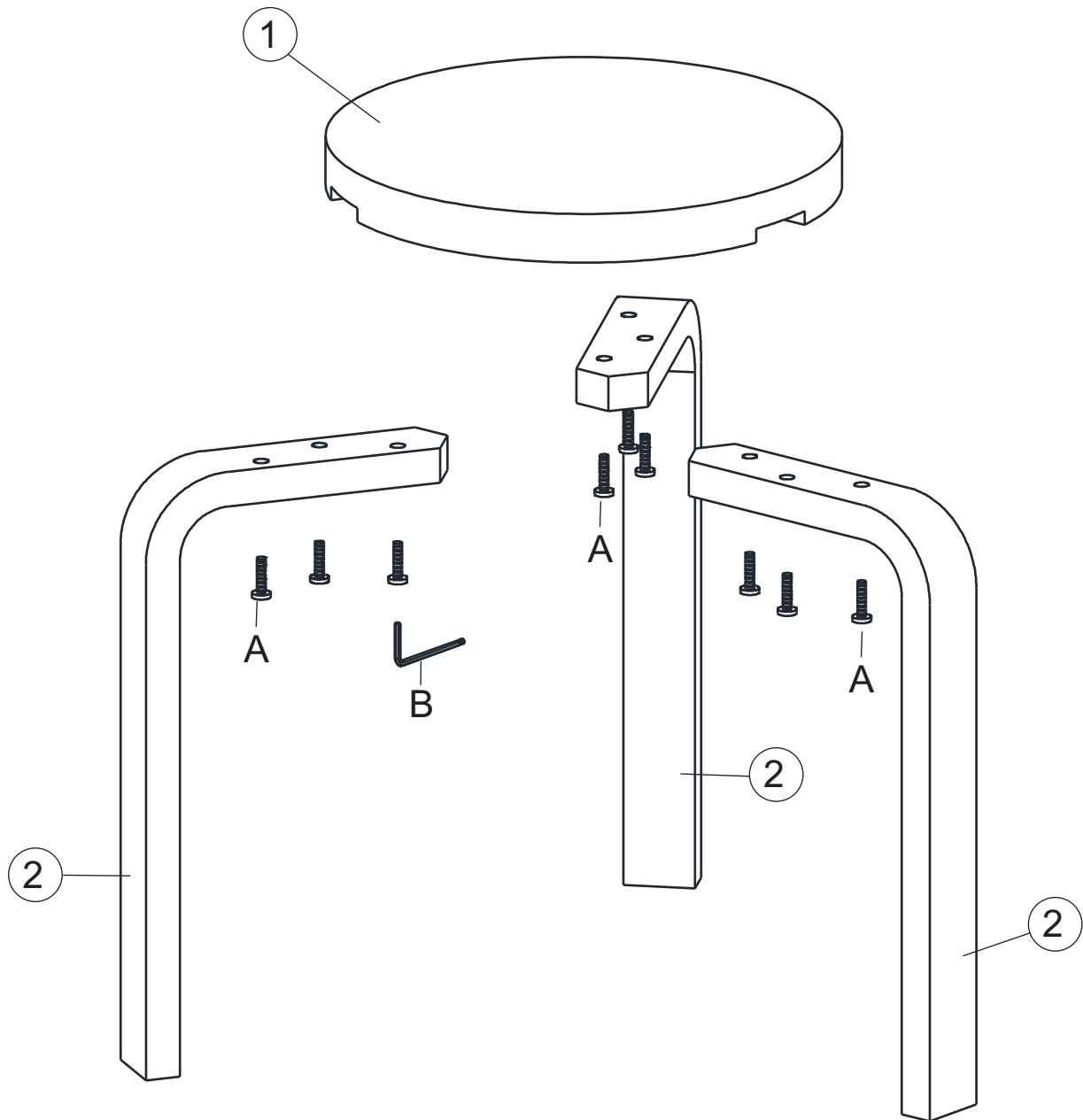
- All tools required for assembly are included unless noted.
- Prior to assembly, check for missing or damaged parts.
- Do not dispose of packing materials until assembly is completed.
- Assemble item on a soft, clean surface to prevent damage to the item.



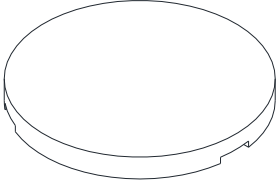
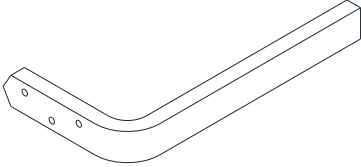
Locate the **HARDWARE PACK** which is attached to the shipping carton with red tape.



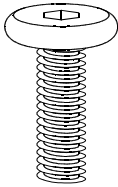
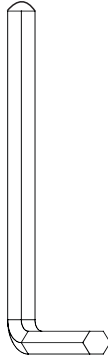
# Assembly Overview



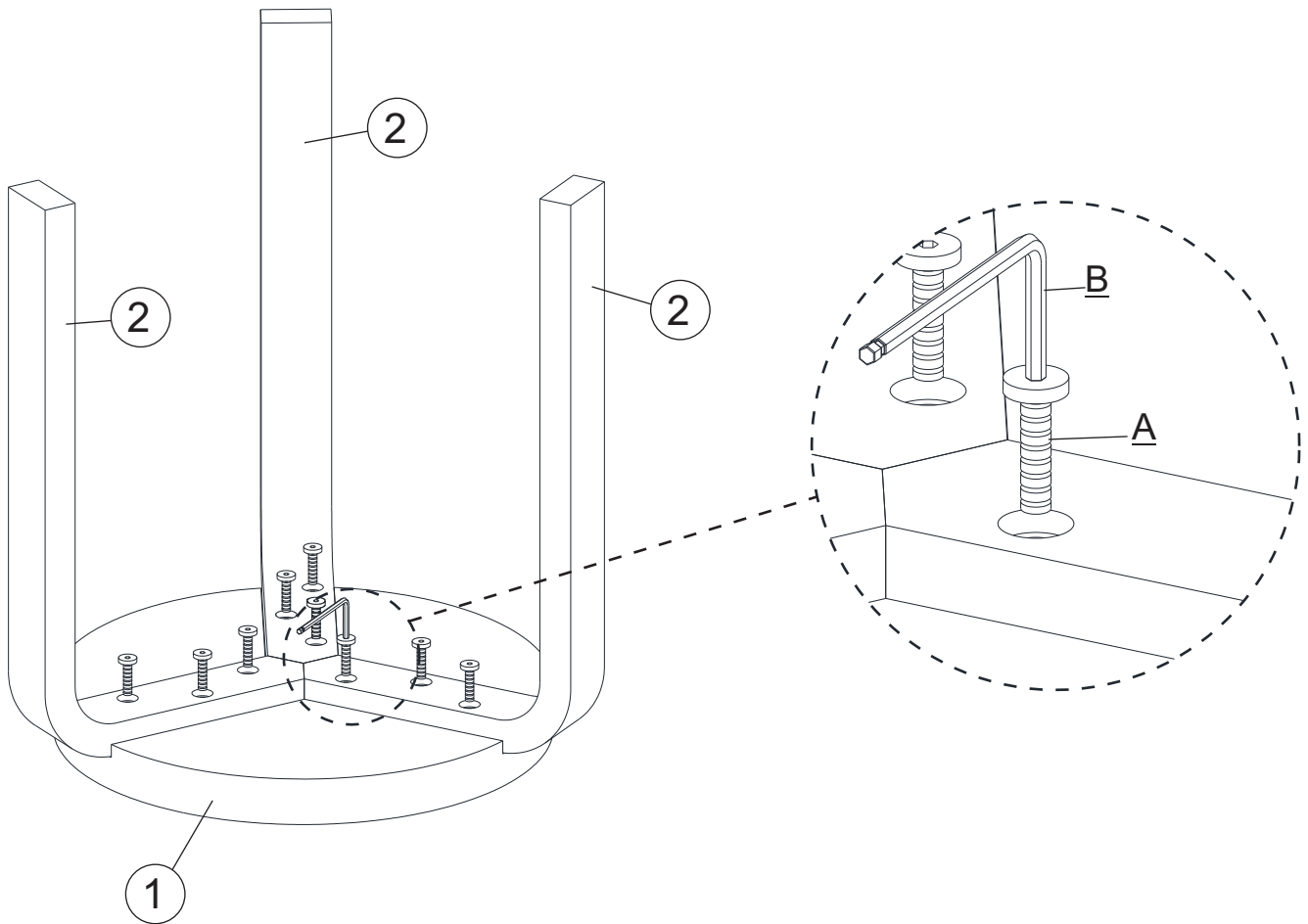
# PARTS

① (x1)	② (x3)
<p><b>Seat:</b></p> 	<p><b>Leg:</b></p> 

# HARDWARE

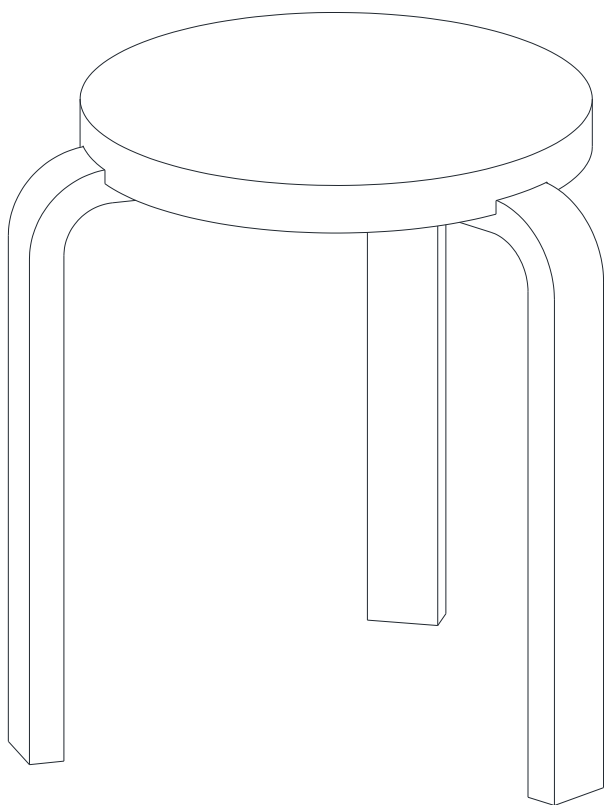
Ⓐ (x9)	Ⓑ (x1)
	
Bolt M6x20	Allen Wrench

# 01



Hardware	Count
A	9
B	1

TIGHTEN BOLT COMPLETELY.



**Weight Capacity**

**BE SURE TO CHECK ALL BOLTS ARE SECURELY TIGHTENED PRIOR TO USE.**