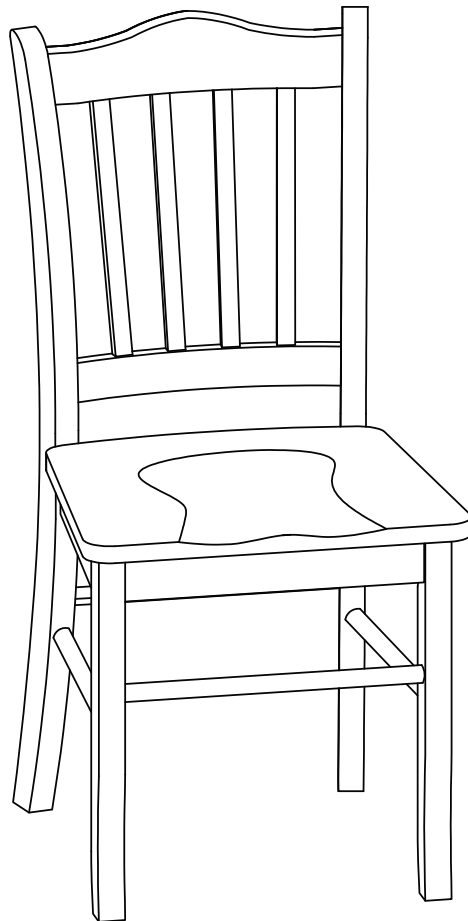




# Boraam Industries

ASSEMBLY INSTRUCTIONS

SKU: 30536,30636,30136 | SHAKER DINING CHAIR



Weight Capacity

05/2024



Have questions about assembling your item?



Items or parts damaged?



Missing a part?

**We're here to help! (Monday-Friday from 9am-5pm CST)**



847-949-6300  
877-267-2261



customerservice@  
boraamindustries.com



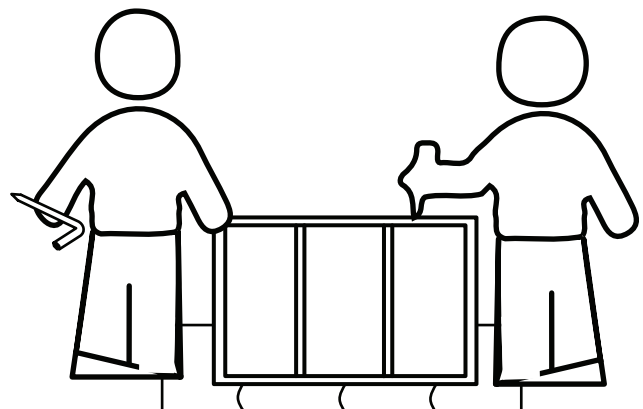
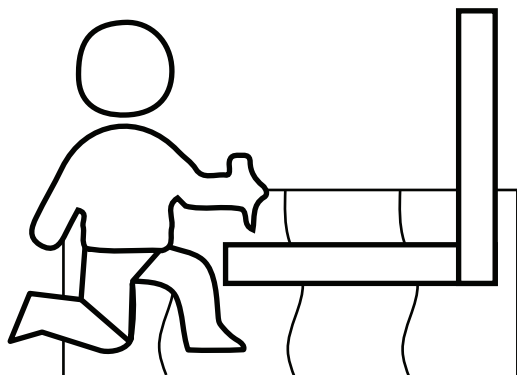
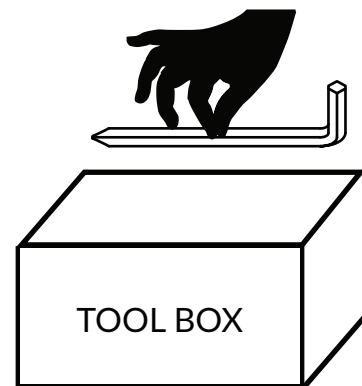
www.boraamindustries.com



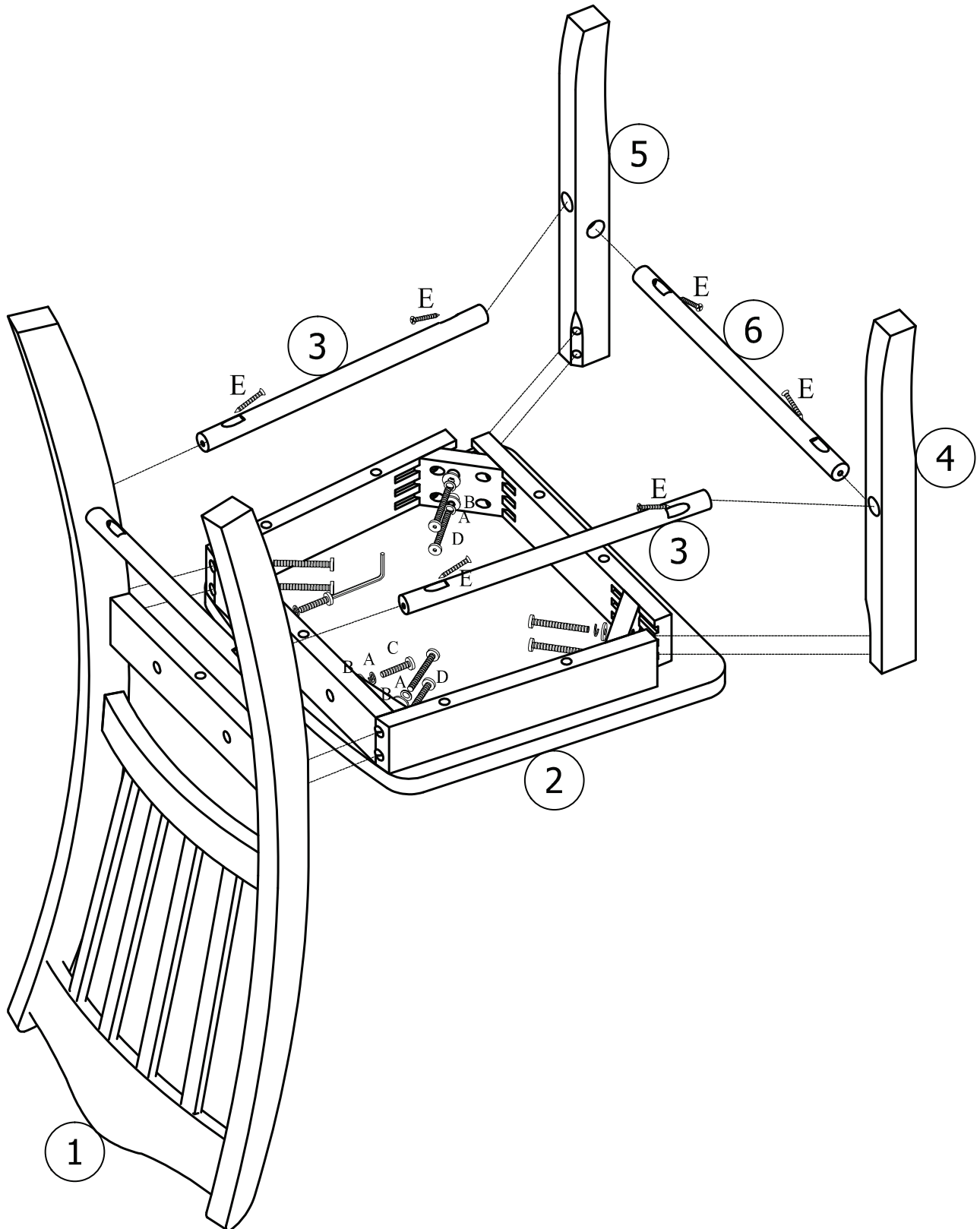
Philips screwdriver  
not included.

# Assembly And Care

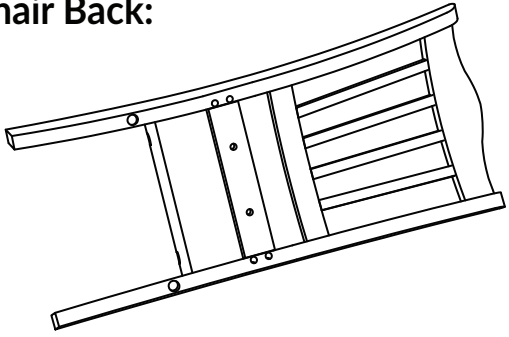
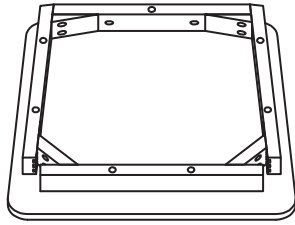




- All required tools for assembly are included unless noted.
- Locate and inspect all parts for missing items or damage prior to assembly.
- Do not dispose of packing materials until assembly is completed.
- Assemble item on a soft, clean surface to prevent damage to the item.
- Proper assembly requires 2 people.



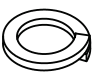
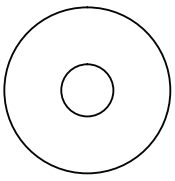
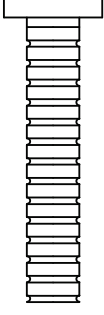
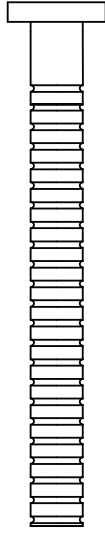
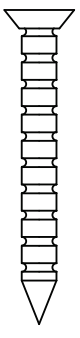
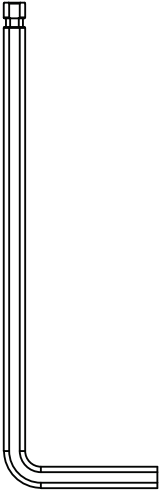
# Assembly Overview



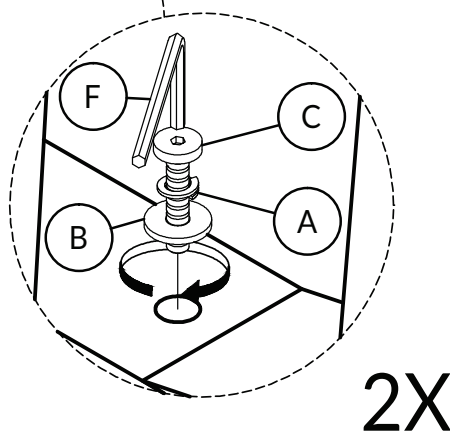
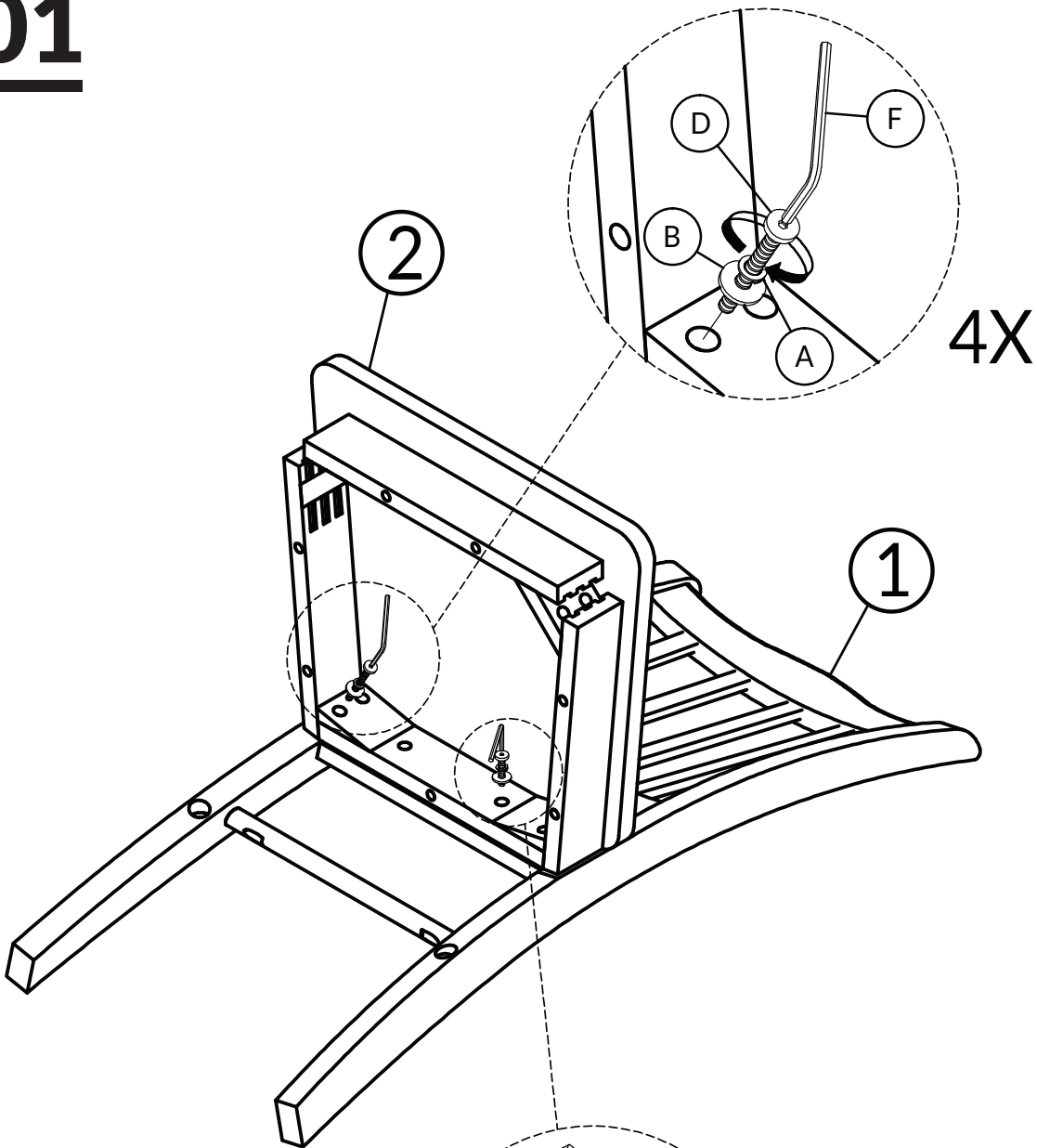
# PARTS

① (x1)		② (x1)	
<b>Chair Back:</b> 		<b>Seat Frame:</b> 	
③ (x2)	④ (x1)	⑤ (x1)	⑥ (x1)
<b>Side Stretcher:</b> 	<b>Leg-Left:</b> 	<b>Leg-Right:</b> 	<b>Footrest:</b> 

# HARDWARE

Ⓐ (x10)	Ⓑ (x10)	Ⓒ (x2)	Ⓓ (x8)	Ⓔ (x6)	Ⓕ (x1)
					
Spring Washer	Flat Washer	Bolt M6x35	Bolt M6x60	Screw M4x35	Allen Wrench

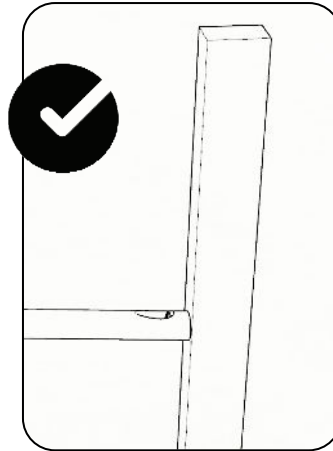
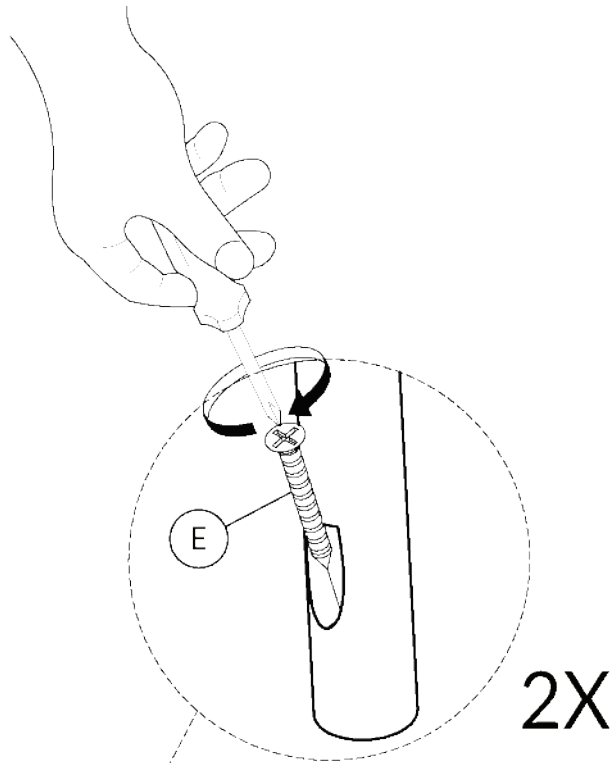
# 01



Hardware	Count
A	6
B	6
C	2
D	4
F	1

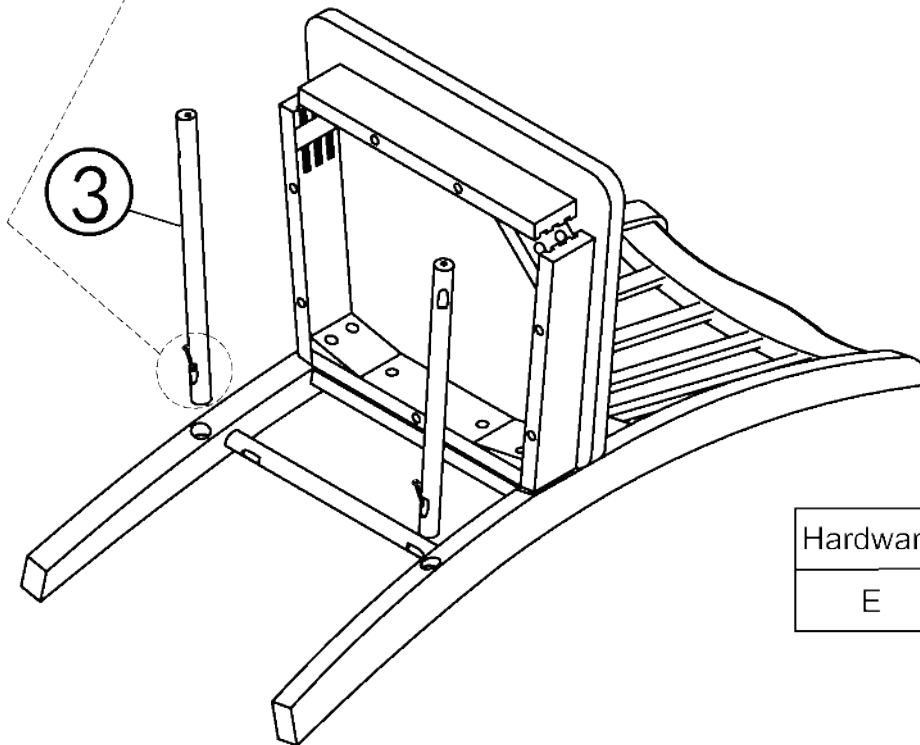
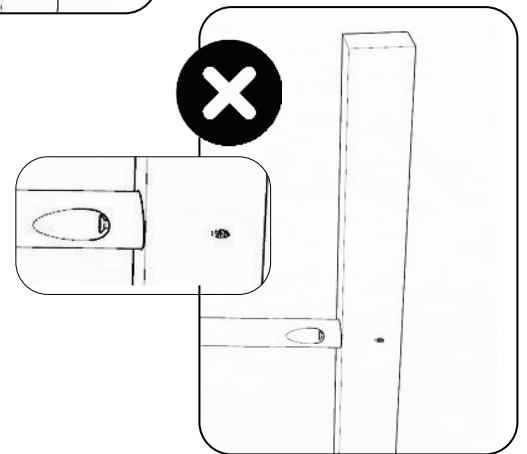
DO NOT TIGHTEN BOLT COMPLETELY.

# 02



### Attention!

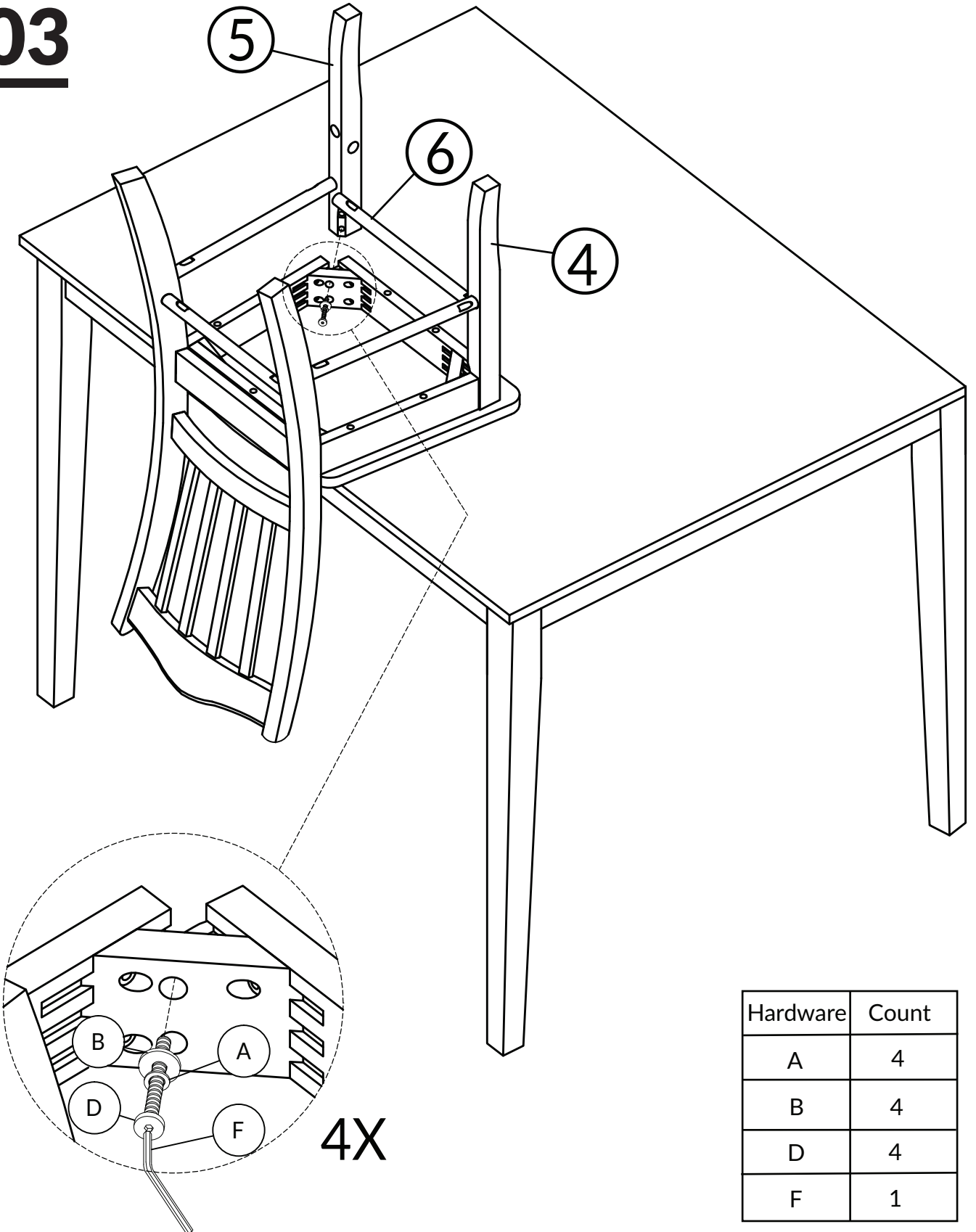
When installing part 3 into chair legs, make sure to rotate the part so that the screw holes are facing down (see diagram). Failure to do so will result in screws protruding from the side of the chair legs during their installation.



Hardware	Count
E	2

DO NOT TIGHTEN SCREW COMPLETELY.

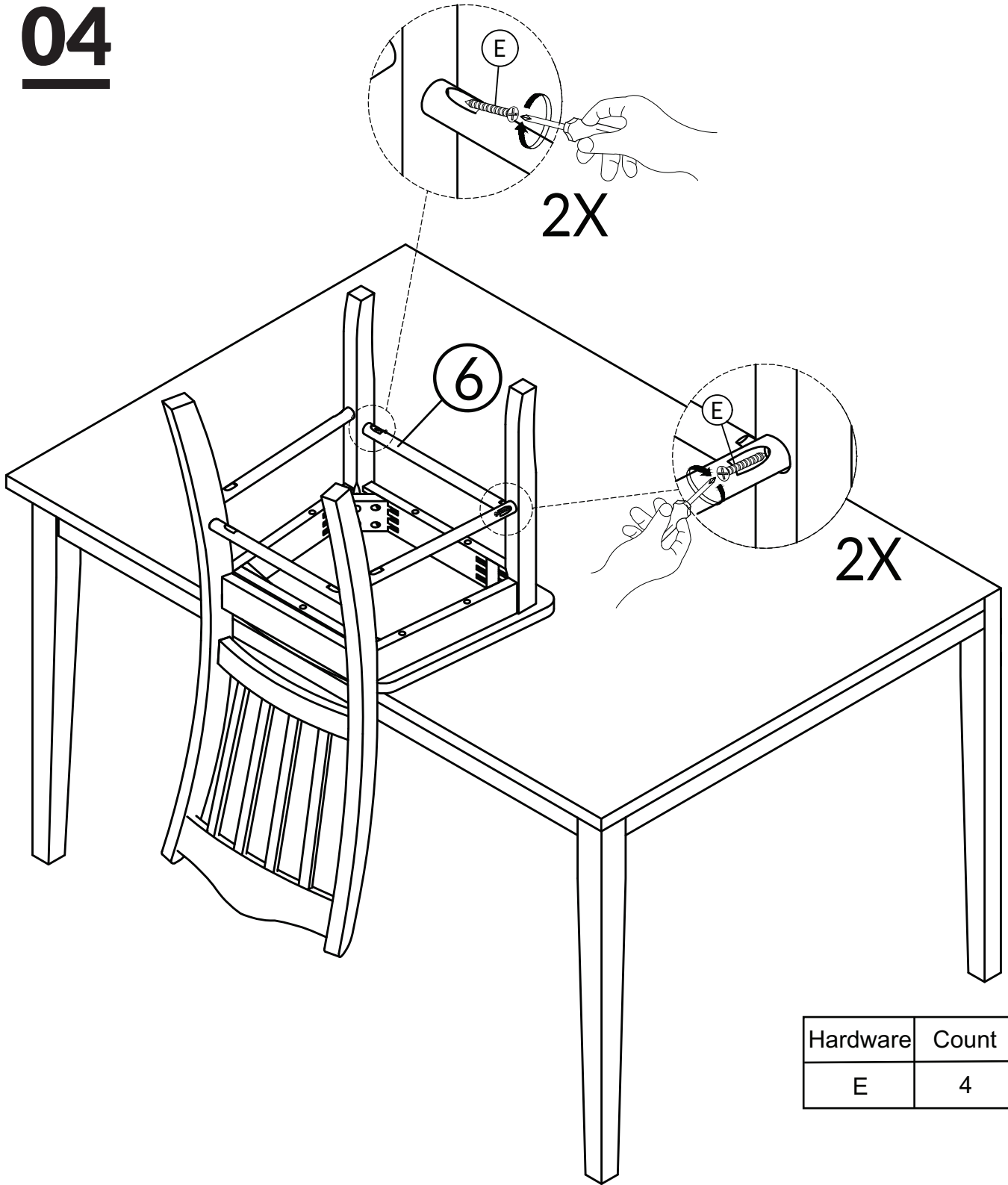
# 03



Hardware	Count
A	4
B	4
D	4
F	1

DO NOT TIGHTEN BOLT COMPLETELY.

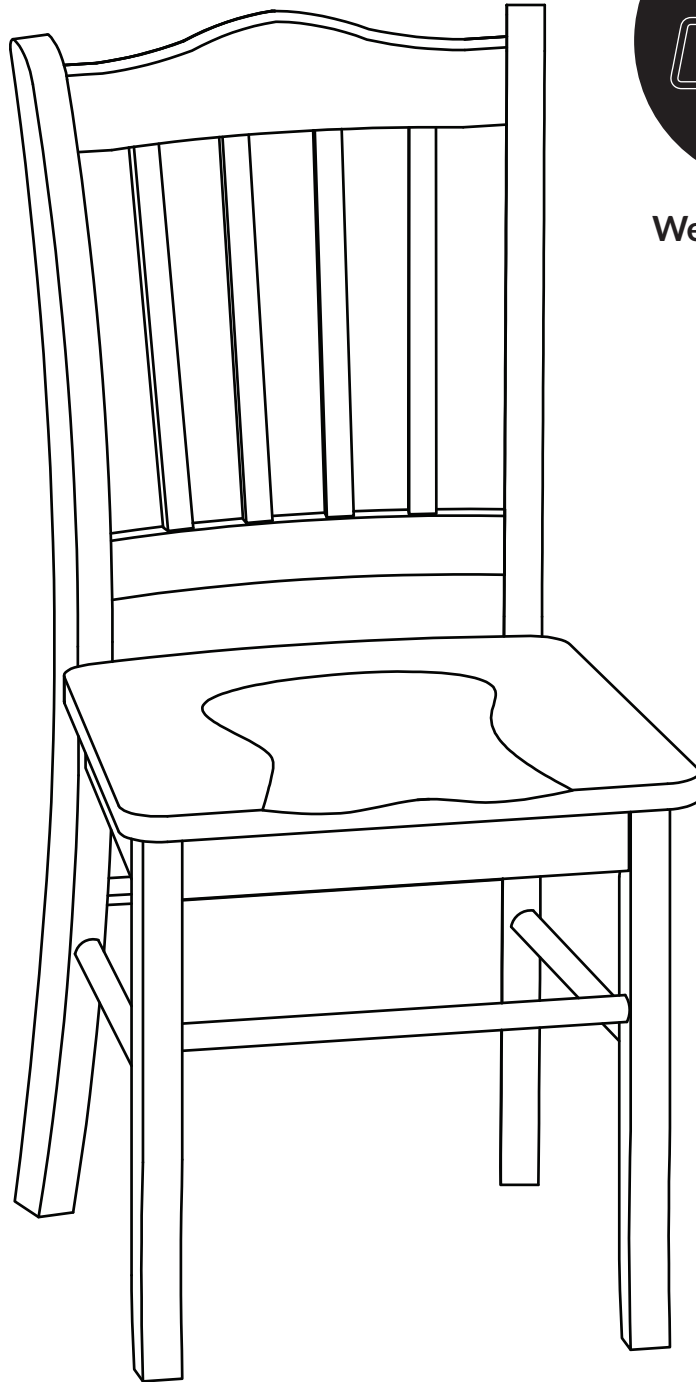
# 04



Hardware	Count
E	4

TIGHTEN BOLT AND SCREW COMPLETELY.





**Weight Capacity**

**BE SURE TO CHECK ALL BOLTS ARE SECURELY TIGHTENED PRIOR TO USE.**

847-949-6300 | 877-267-2261 | [customerservice@boraamindustries.com](mailto:customerservice@boraamindustries.com)