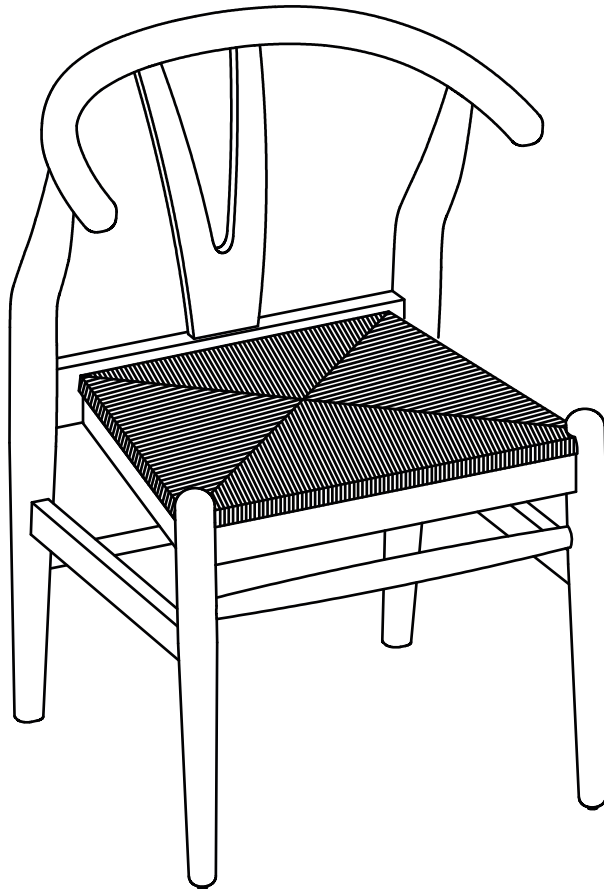




Boraam Industries

ASSEMBLY INSTRUCTIONS

SKU: 50018,50218 | WISHBONE DINING CHAIR



Weight Capacity



Locate the **HARDWARE PACK** which is attached to the shipping carton with red tape.

08/2024



Have questions about assembling your item?



Items or parts damaged?



Missing a part?

We're here to help! (Monday-Friday from 9am-5pm CST)



847-949-6300
877-267-2261



customerservice@
boraamindustries.com



www.boraamindustries.com



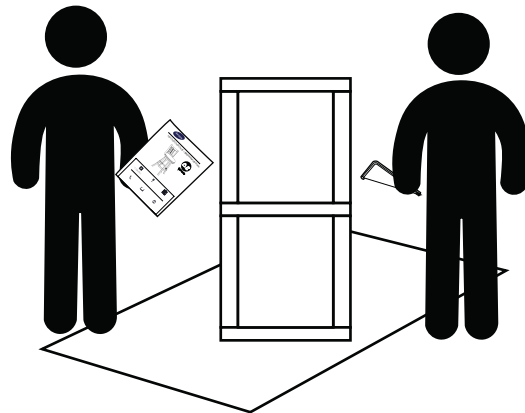
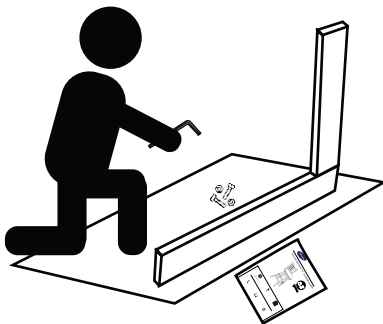
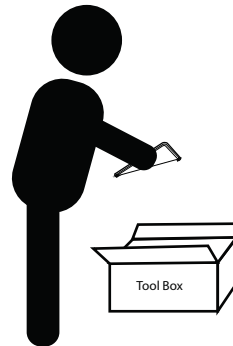
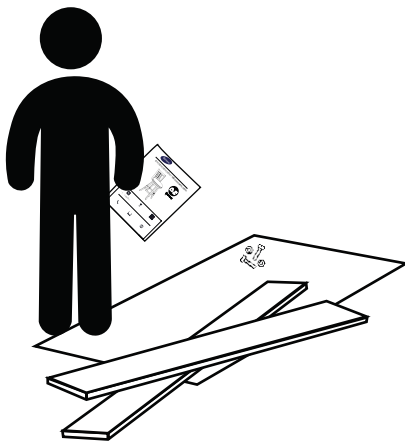
Philips screwdriver
not included.

Assembly And Care

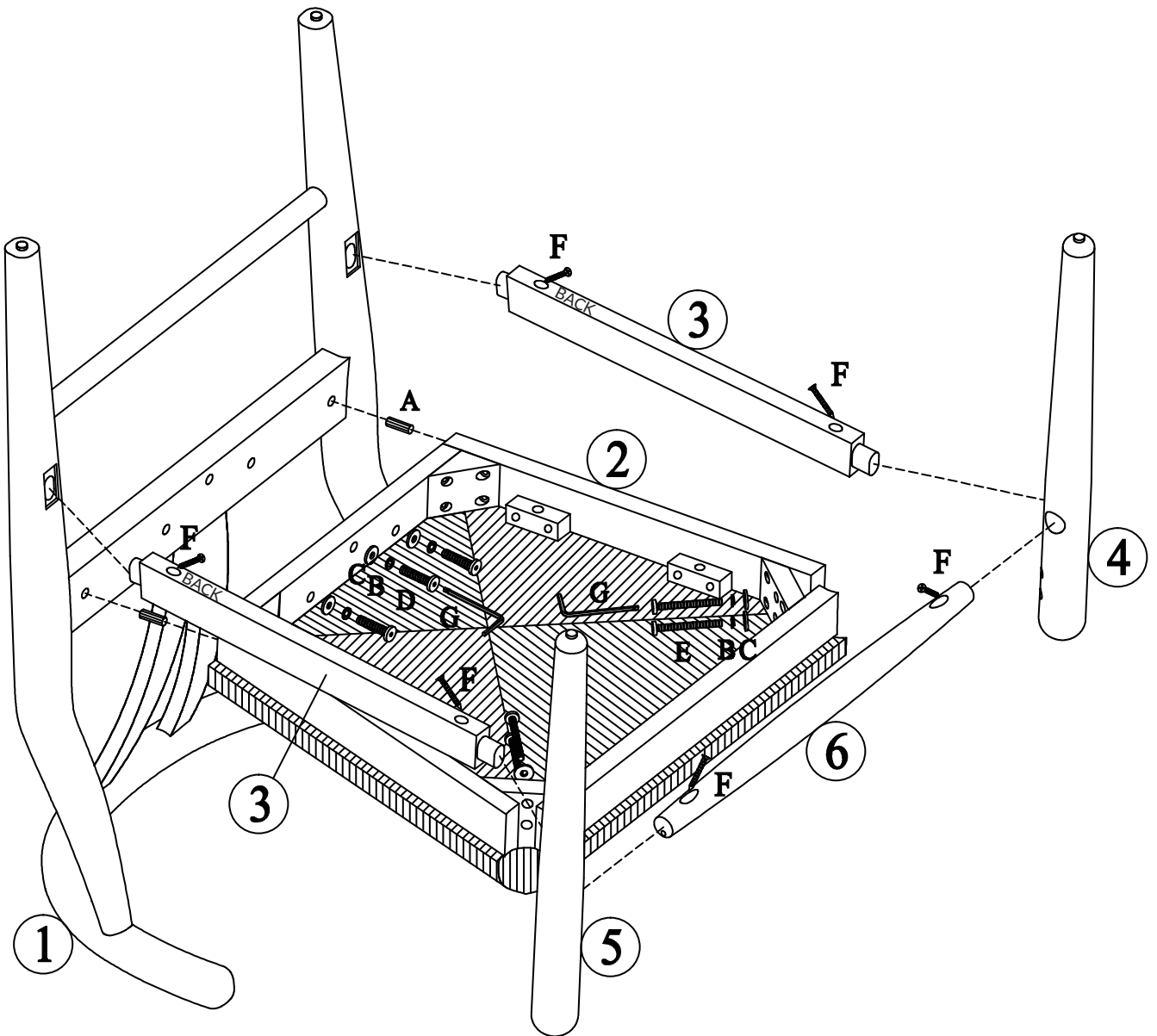
- All tools required for assembly are included unless noted.
- Prior to assembly, check for missing or damaged parts.
- Do not dispose of packing materials until assembly is completed.
- Assemble item on a soft, clean surface to prevent damage to the item.



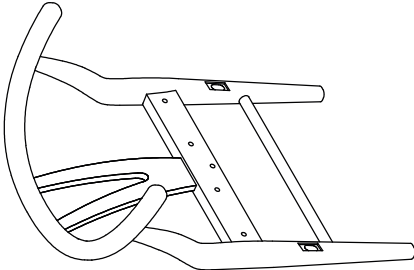
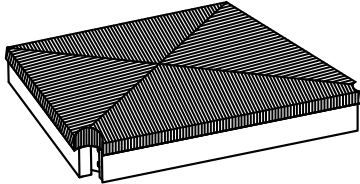




Locate the
HARDWARE PACK
which is attached to the
shipping carton with red
tape.



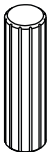

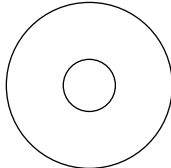
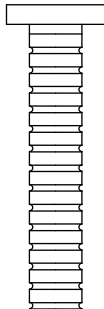
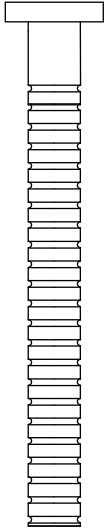
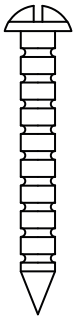
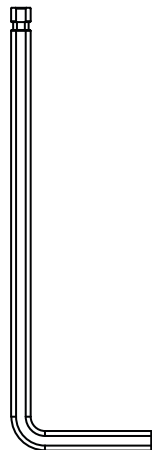
Assembly Overview



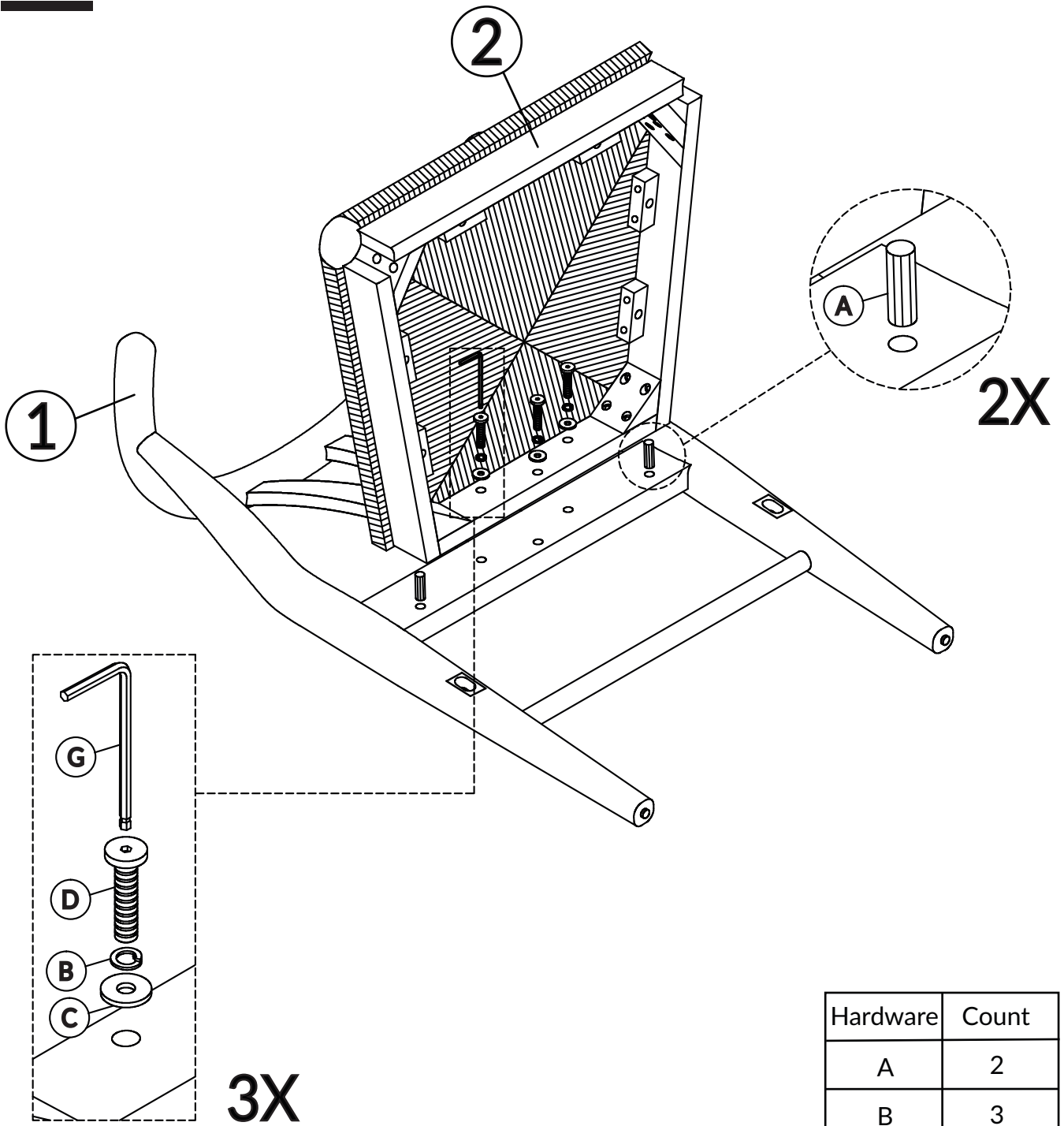
PARTS

| | | | |
|---|--|--|--|
| ① (x1) | | ② (x1) | |
| Chair Back:  | | Seat Frame:  | |
| ③ (x2) | ④ (x1) | ⑤ (x1) | ⑥ (x1) |
| Side Stretcher  | Leg-Left:  | Leg-Right:  | Footrest:  |

HARDWARE

| | | | | | | |
|---|---|---|---|--|---|---|
| Ⓐ (x2) | Ⓑ (x7) | Ⓒ (x7) | Ⓓ (x3) | Ⓔ (x4) | Ⓕ (x6) | Ⓖ (x1) |
|  |  |  |  |  |  |  |
| Wooden Dowel | Spring Washer | Flat Washer | Bolt M6x35 | Bolt M6x60 | Screw M4x35 | Allen Wrench |

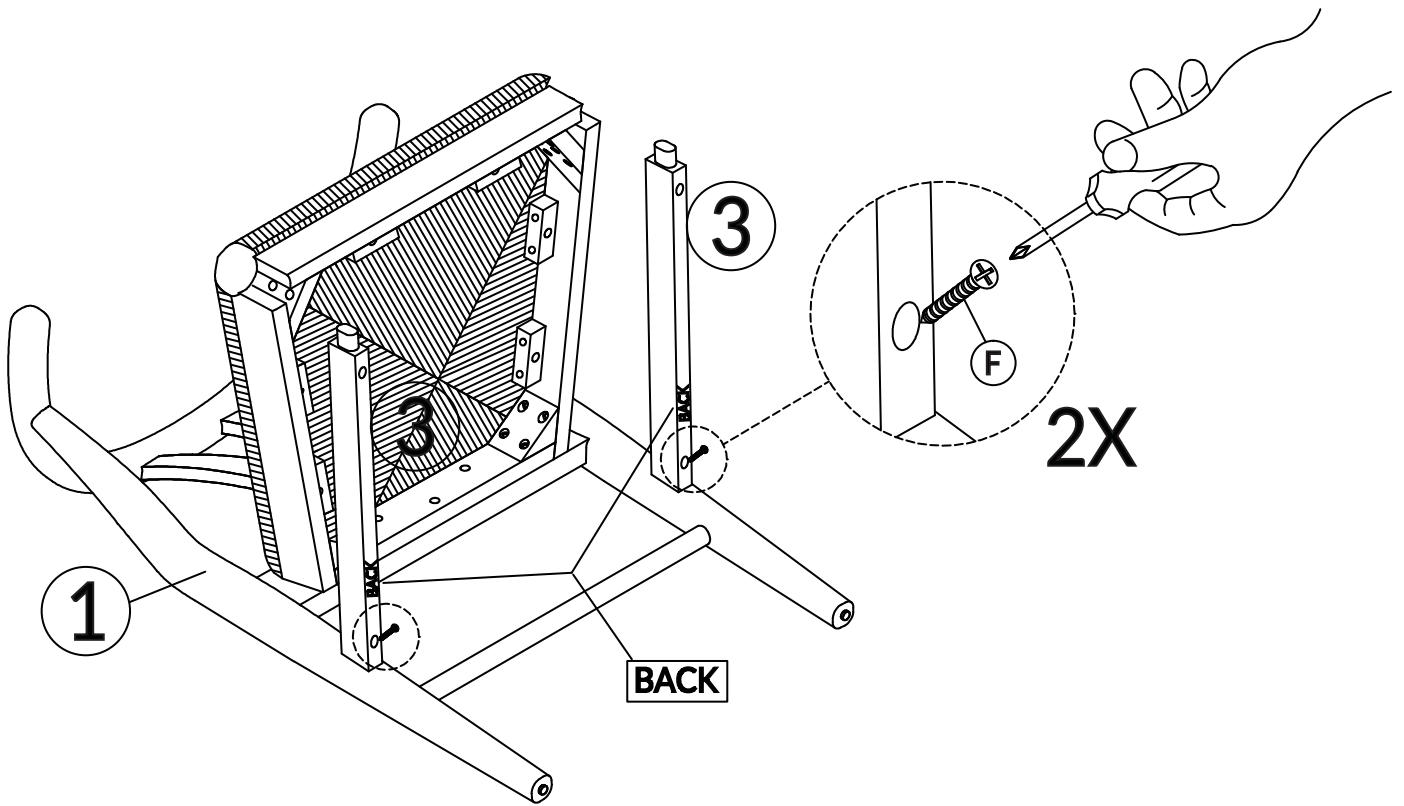
01



| Hardware | Count |
|----------|-------|
| A | 2 |
| B | 3 |
| C | 3 |
| D | 3 |
| G | 1 |

DO NOT TIGHTEN BOLT COMPLETELY.

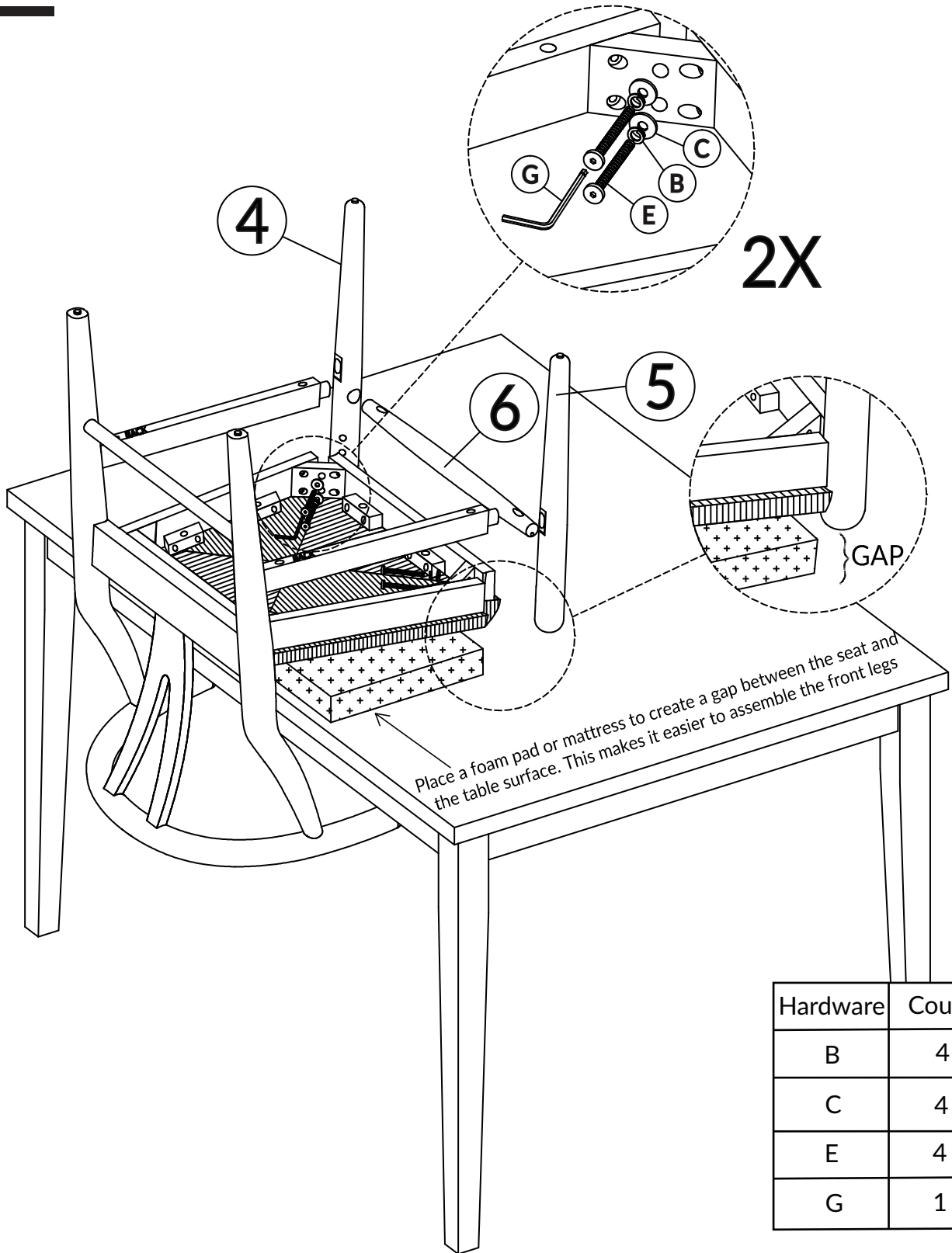
02



| Hardware | Count |
|----------|-------|
| F | 2 |

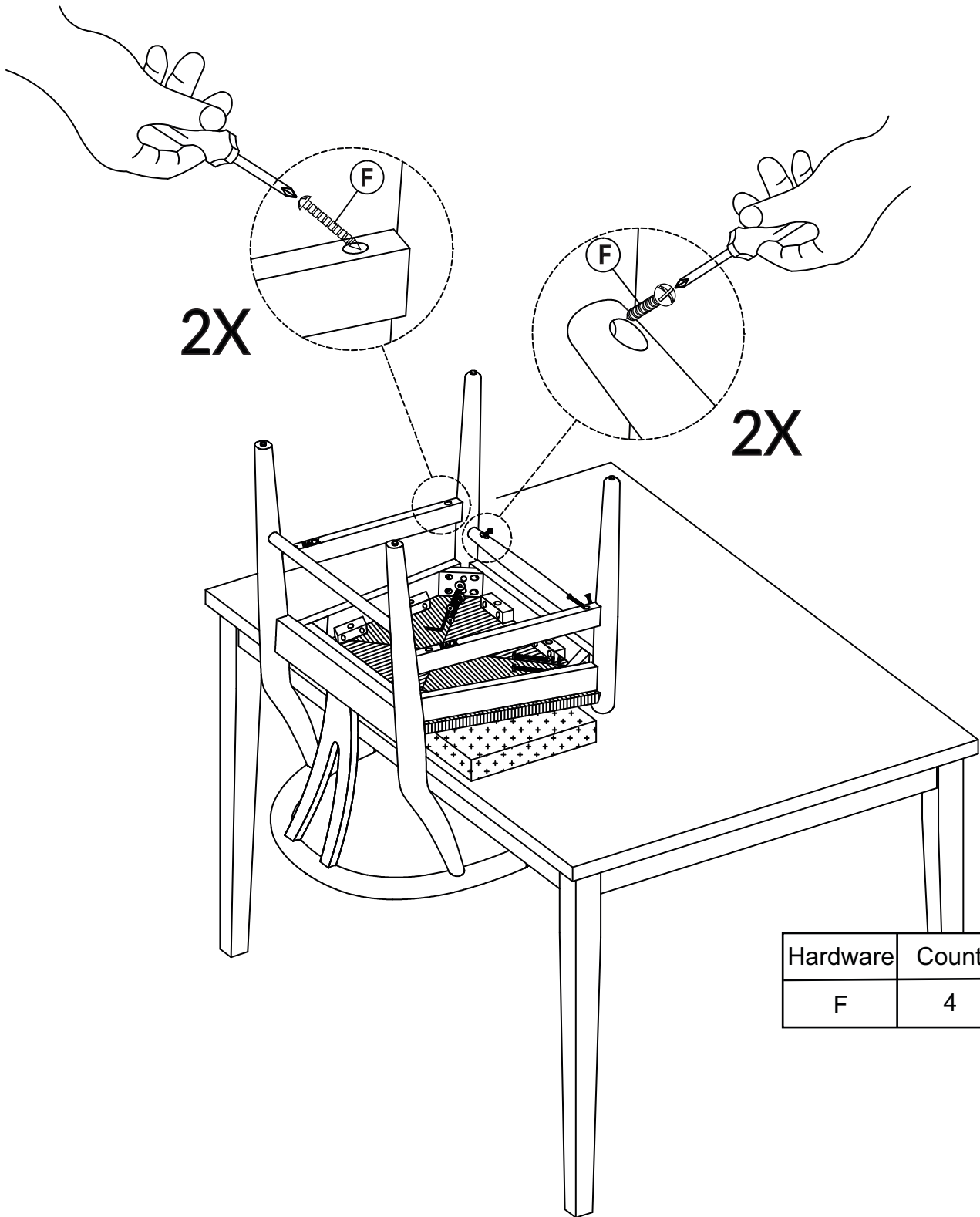
DO NOT TIGHTEN SCREW COMPLETELY.

03



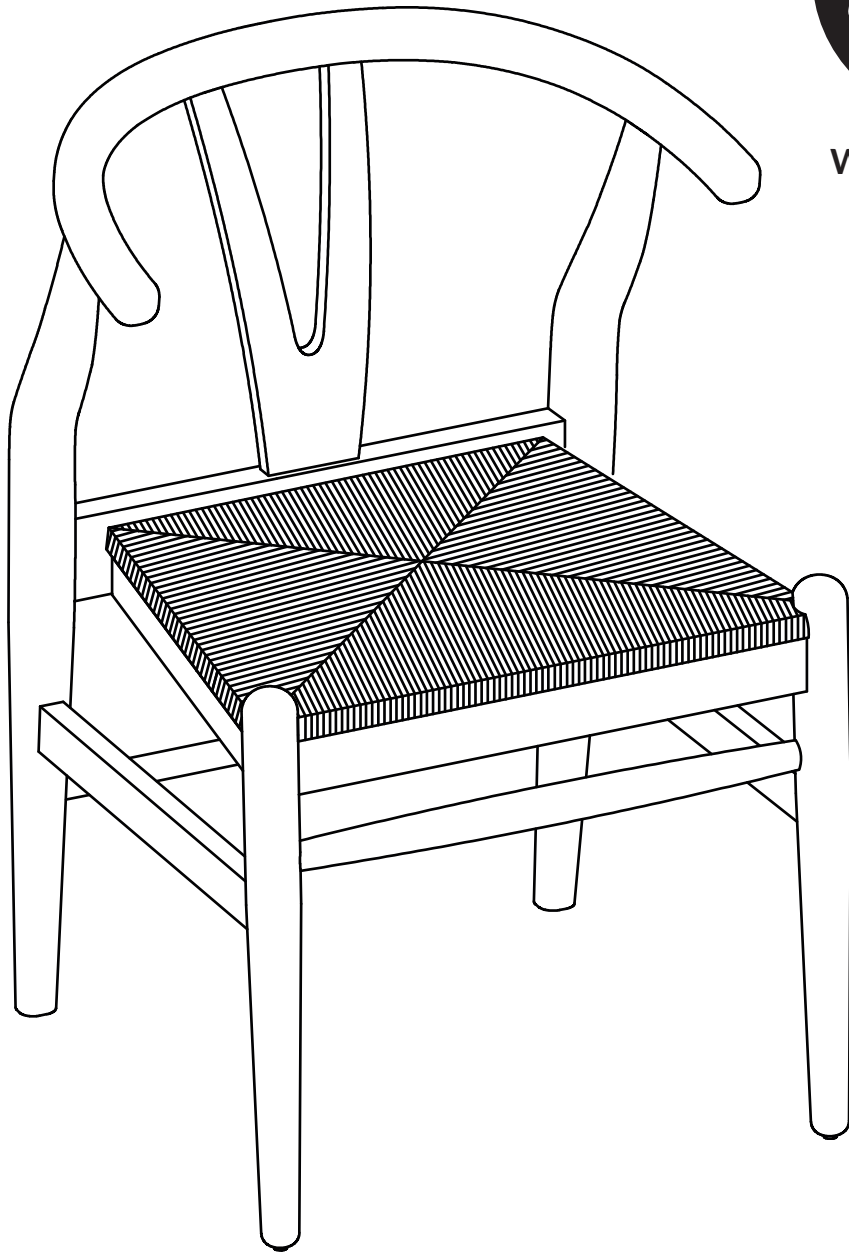
DO NOT TIGHTEN BOLT COMPLETELY.

04



| Hardware | Count |
|----------|-------|
| F | 4 |

TIGHTEN BOLT AND SCREW COMPLETELY.



Weight Capacity

BE SURE TO CHECK ALL BOLTS ARE SECURELY TIGHTENED PRIOR TO USE.

847-949-6300 | 877-267-2261 | customerservice@boraamindustries.com