

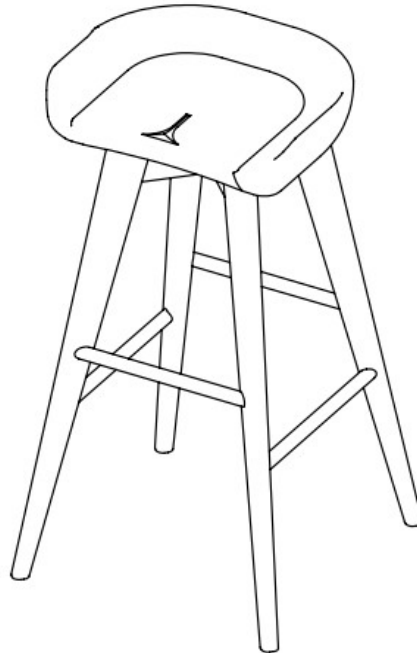


Boraam Industries

ASSEMBLY INSTRUCTIONS

SKU: 54124,54224,55124,54129,54229,55129,56124

BALI SWIVEL STOOL



Version 1 / Updated as of 11.13.23



Have questions about
assembling your item?



Items or parts damaged?



Missing a part?

We're here to help! (Monday-Friday from 9am-5pm CST)



847-949-6300
877-267-2261



customerservice@
boraamindustries.com




www.boraamindustries.com


A

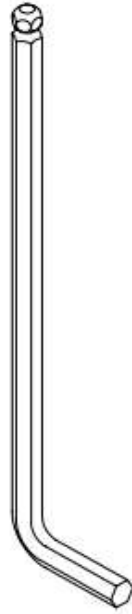
8PCS
M6*10

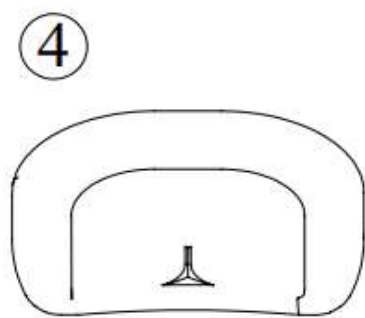
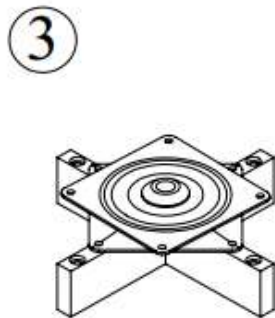
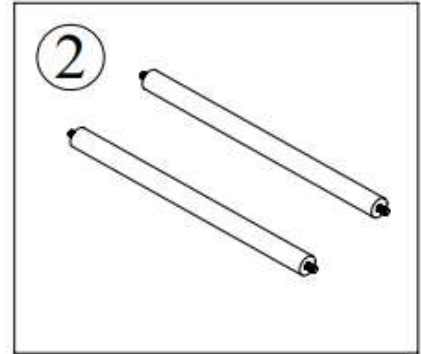
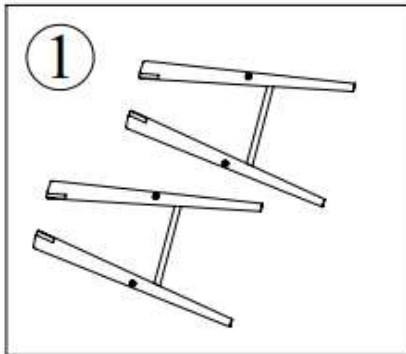
B

8PCS
M6*13

C

4PCS
M6*25

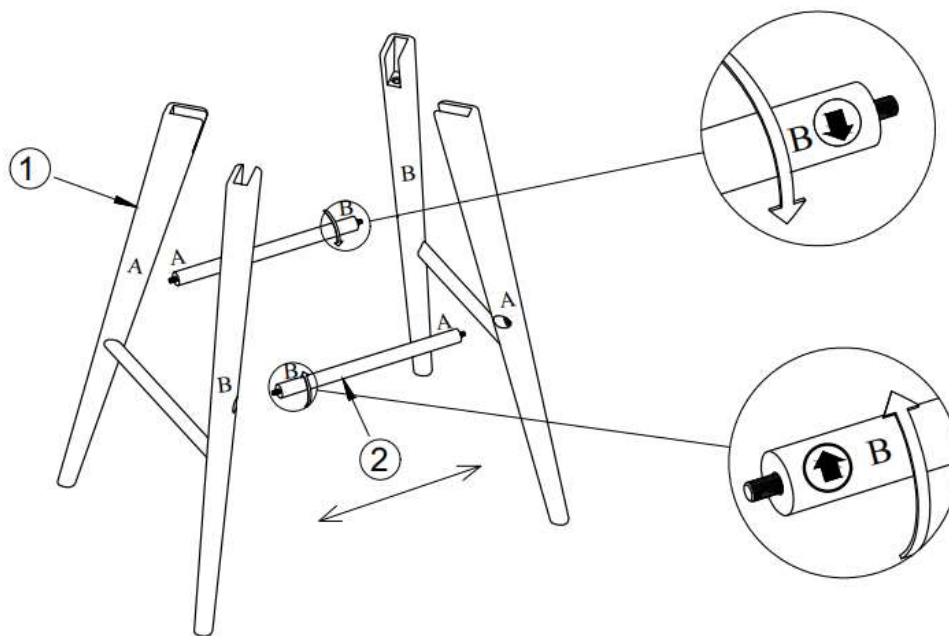
D

4PCS
M6*70

E

1PC
Allen Wrench
M4*110



847-949-6300 | 877-267-2261 | customerservice@boraamindustries.com

01



-Locate both leg assemblies (Part 1) and stretchers (Part 2).

-Starting with one stretcher, match the letter on the ends of the stretcher to the letter on the threaded holes on the legs.

-Repeat above step for the remaining stretcher.

-With both stretchers inserted in BOTH leg assemblies, tighten both stretchers by turning them towards each other until completely tightened in both legs.

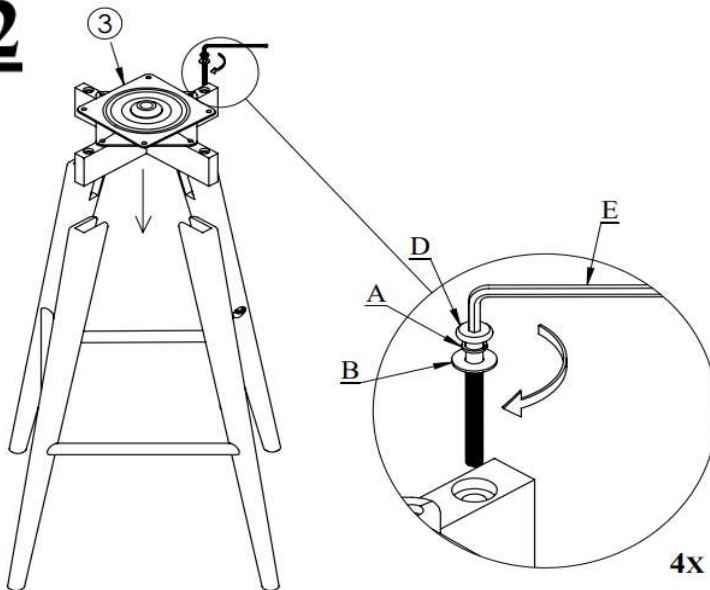
-When both stretchers are installed, check for tightness before proceeding to the next assembly step.




!! Hand tighten stretchers only, do not use any tools !!



Scan the QR code for a video explaining steps 1+2

02






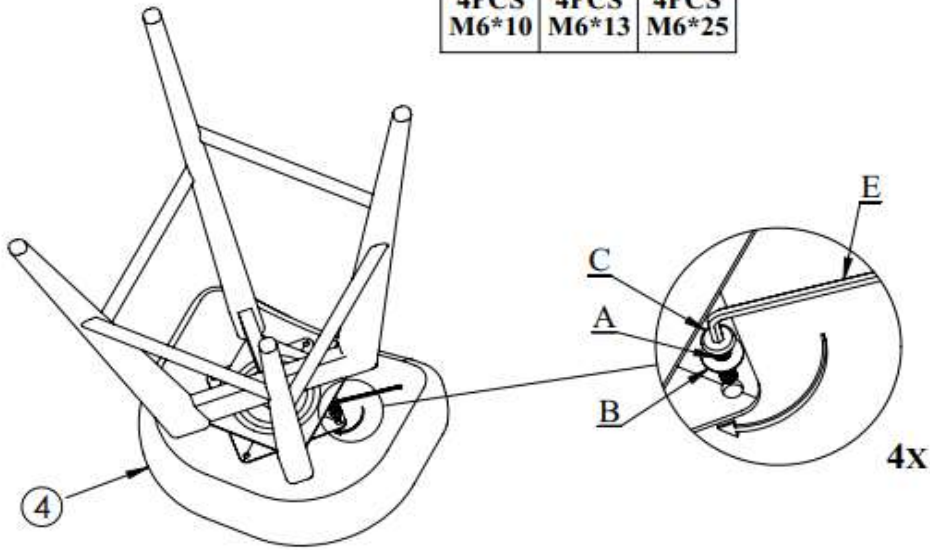
A	B	D
		
4PCS M6*10	4PCS M6*13	4PCS M6*70

TIGHTEN BOLT COMPLETELY

847-949-6300 | 877-267-2261 | customerservice@boraamindustries.com

03

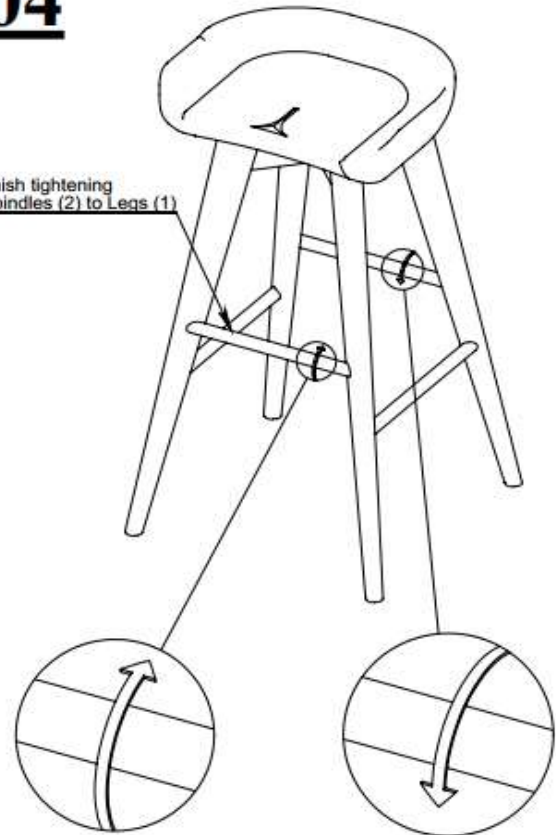
A 	B 	C 
4PCS M6*10	4PCS M6*13	4PCS M6*25



TIGHTEN BOLT COMPLETELY

04

Finish tightening
Spindles (2) to Legs (1)



BE SURE TO CHECK ALL BOLTS SECURELY
TIGHTENED PRIOR USING THIS STOOL

847-949-6300 | 877-267-2261 | customerservice@boraamindustries.com