



Boraam Industries

ASSEMBLY INSTRUCTIONS

SKU: 31316,31516,31616 | FARMHOUSE DINING CHAIR



Weight Capacity

Version 1 / Updated as of 11/09/23



Have questions about assembling your item?



Items or parts damaged?



Missing a part?

We're here to help! (Monday-Friday from 9am-5pm CST)



847-949-6300
877-267-2261



customerservice@
boraamindustries.com



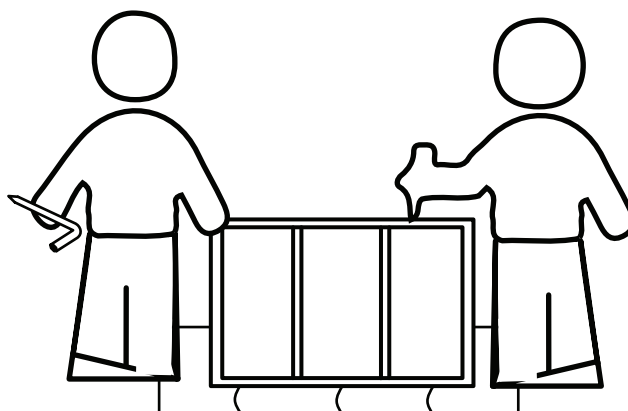
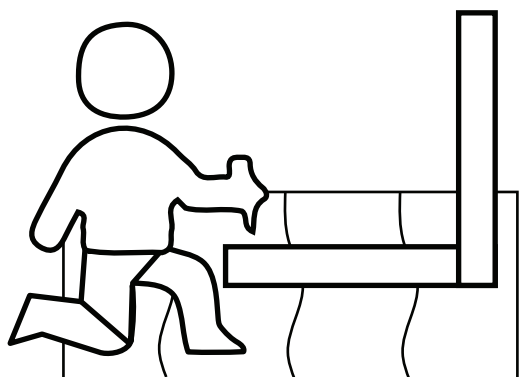
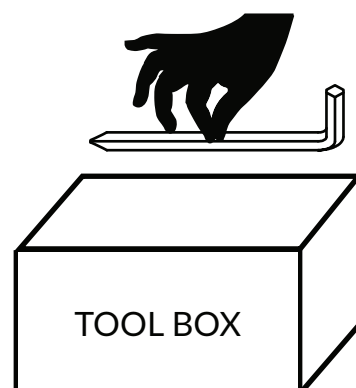
www.boraamindustries.com



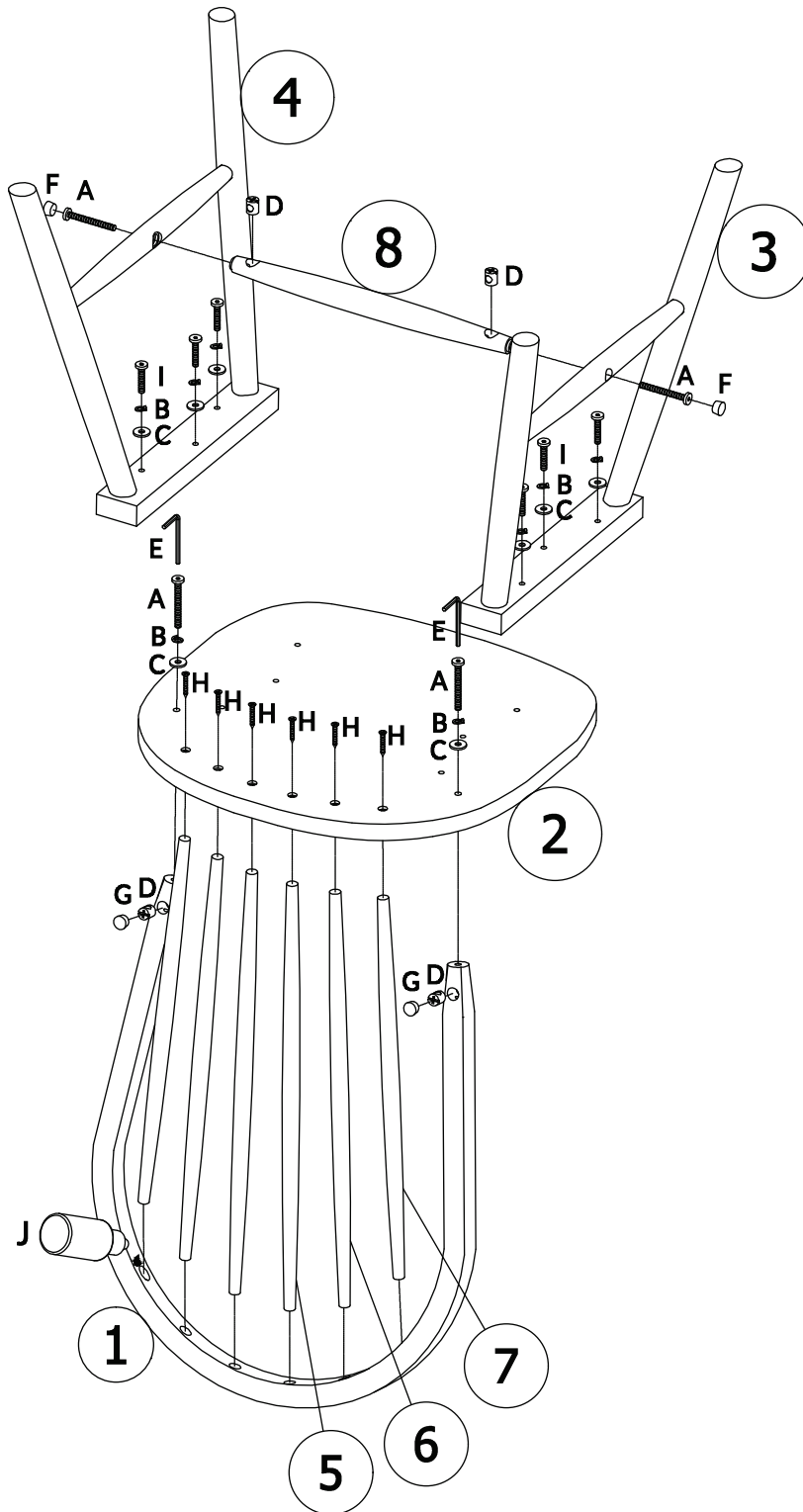
Philips screwdriver
not included.

Assembly And Care

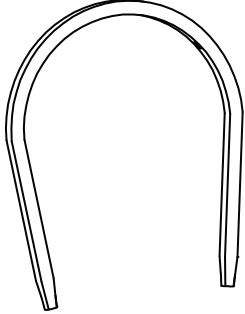
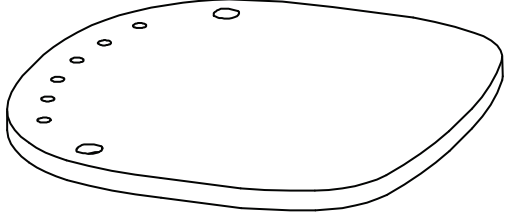
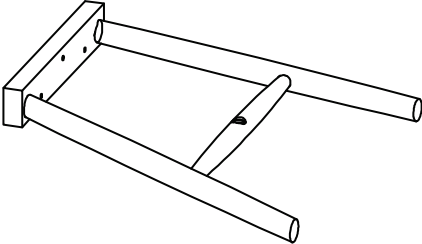
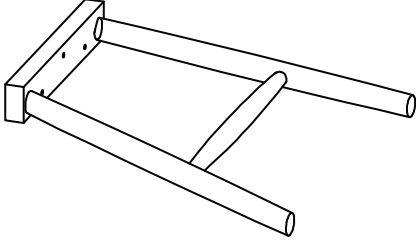

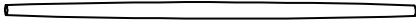
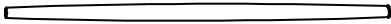
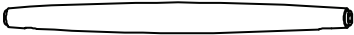
- All required tools for assembly are included unless noted.
- Locate and inspect all parts for missing items or damage prior to assembly.
- Do not dispose of packing materials until assembly is completed.
- Assemble item on a soft, clean surface to prevent damage to the item.
- Proper assembly requires 2 people.



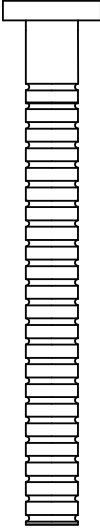

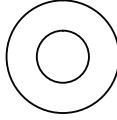


Assembly Overview



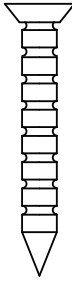
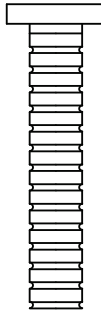



PARTS

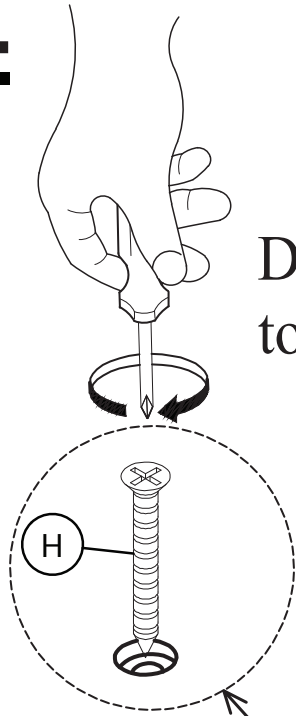
| | |
|--|--|
| <p>① (x1)</p> | <p>② (x1)</p> |
| <p>Hoop:</p>  | <p>Seat:</p>  |
| <p>③ (x1)</p> | <p>④ (x1)</p> |
| <p>Leg Frame-Left:</p>  | <p>Leg Frame-Right:</p>  |
| <p>⑤ (x2)</p> | <p>⑥ (x2)</p> |
| <p>Long Spindle:</p>  | <p>Medium Spindle:</p>  |
| <p>⑦ (x2)</p> | <p>⑧ (x1)</p> |
| <p>Short Spindle:</p>  | <p>Crossbar:</p>  |

HARDWARE

| Ⓐ (x4) | Ⓑ (x8) | Ⓒ (x8) | Ⓓ (x4) | Ⓔ (x1) |
|---|---|---|---|---|
|  |  |  |  |  |
| Bolt M6x60 | Spring Washer | Flat Washer | Barrel Nut M6x13 | Allen Wrench |

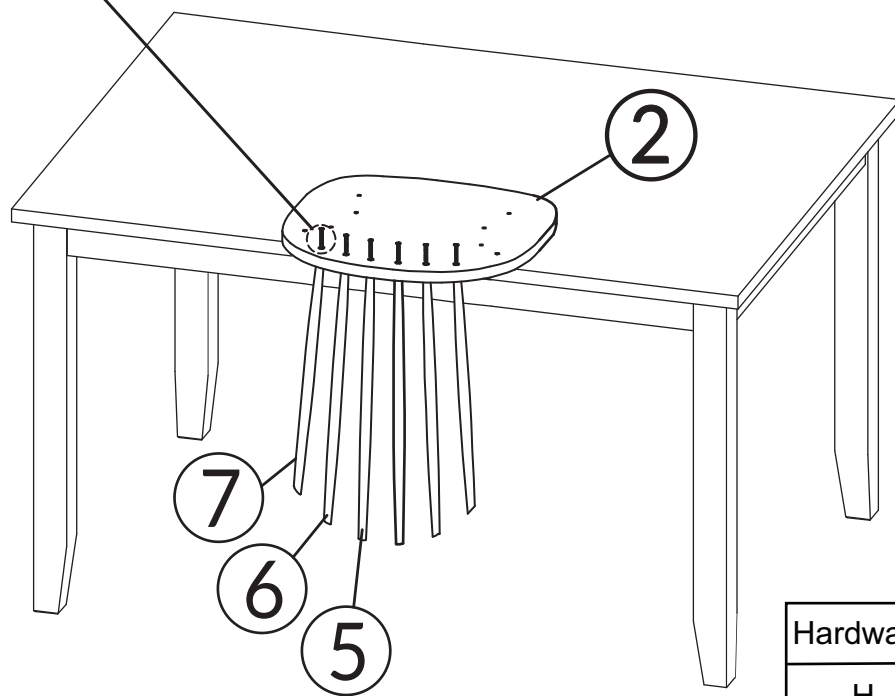
| Ⓕ (x2) | Ⓖ (x2) | Ⓗ (x6) | Ⓘ (x6) | Ⓝ (x1) |
|---|---|---|--|---|
|  |  |  |  |  |
| Wood Button | Wood Button | Screw M4x30 | Bolt M6x35 | Glue Tube |

01



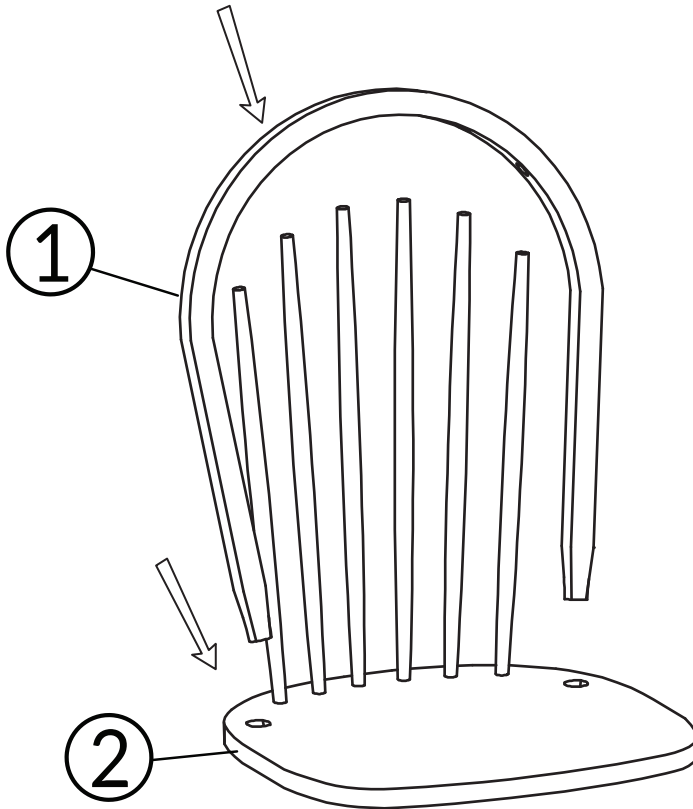
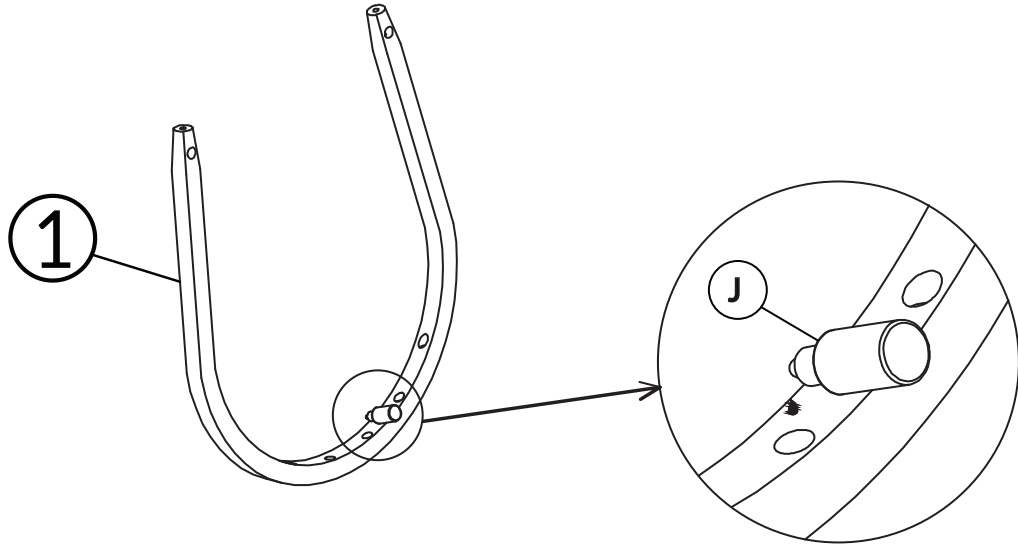
Do not use Power Tools
to assemble.

6X



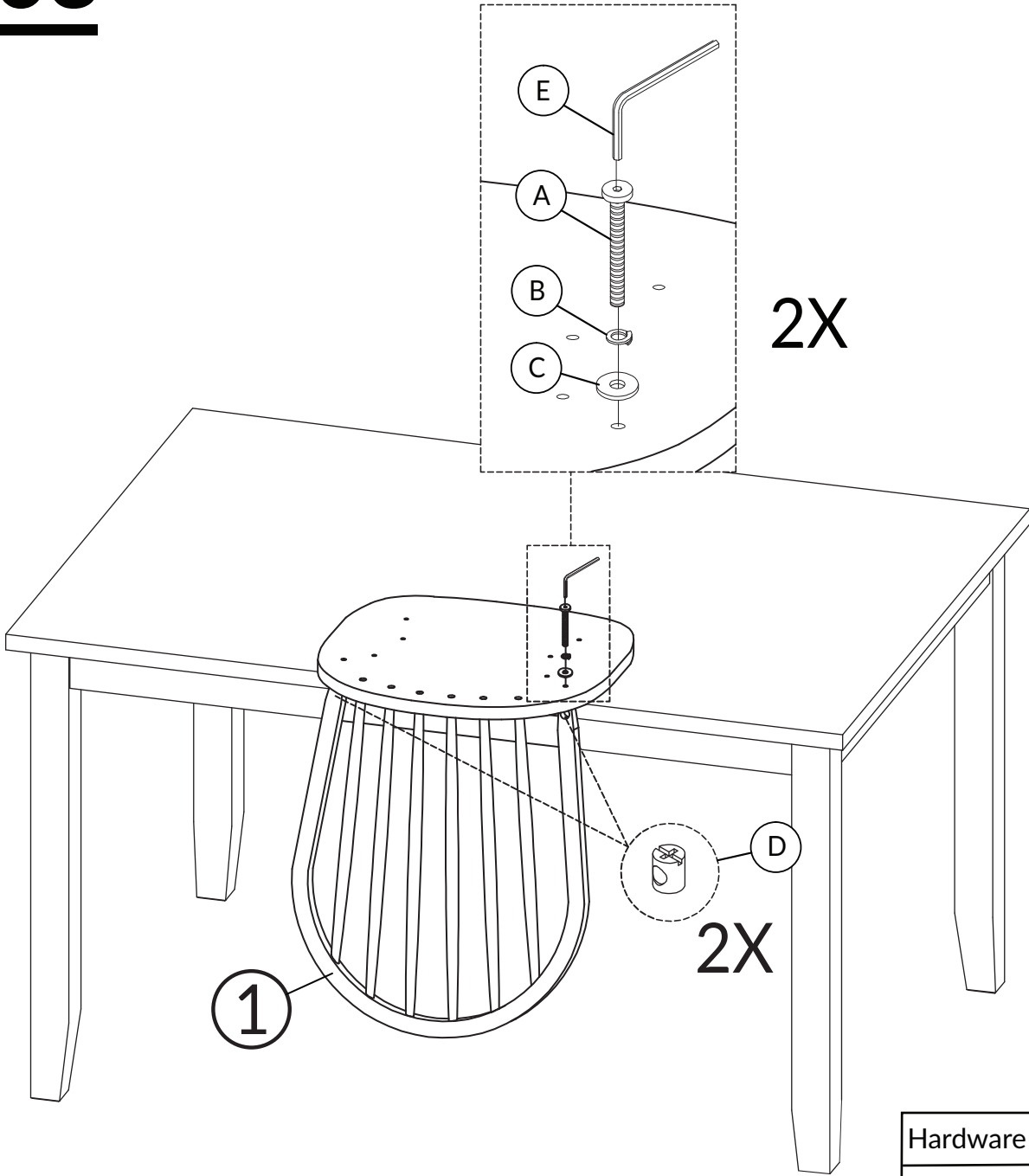
| Hardware | Count |
|----------|-------|
| H | 6 |

02



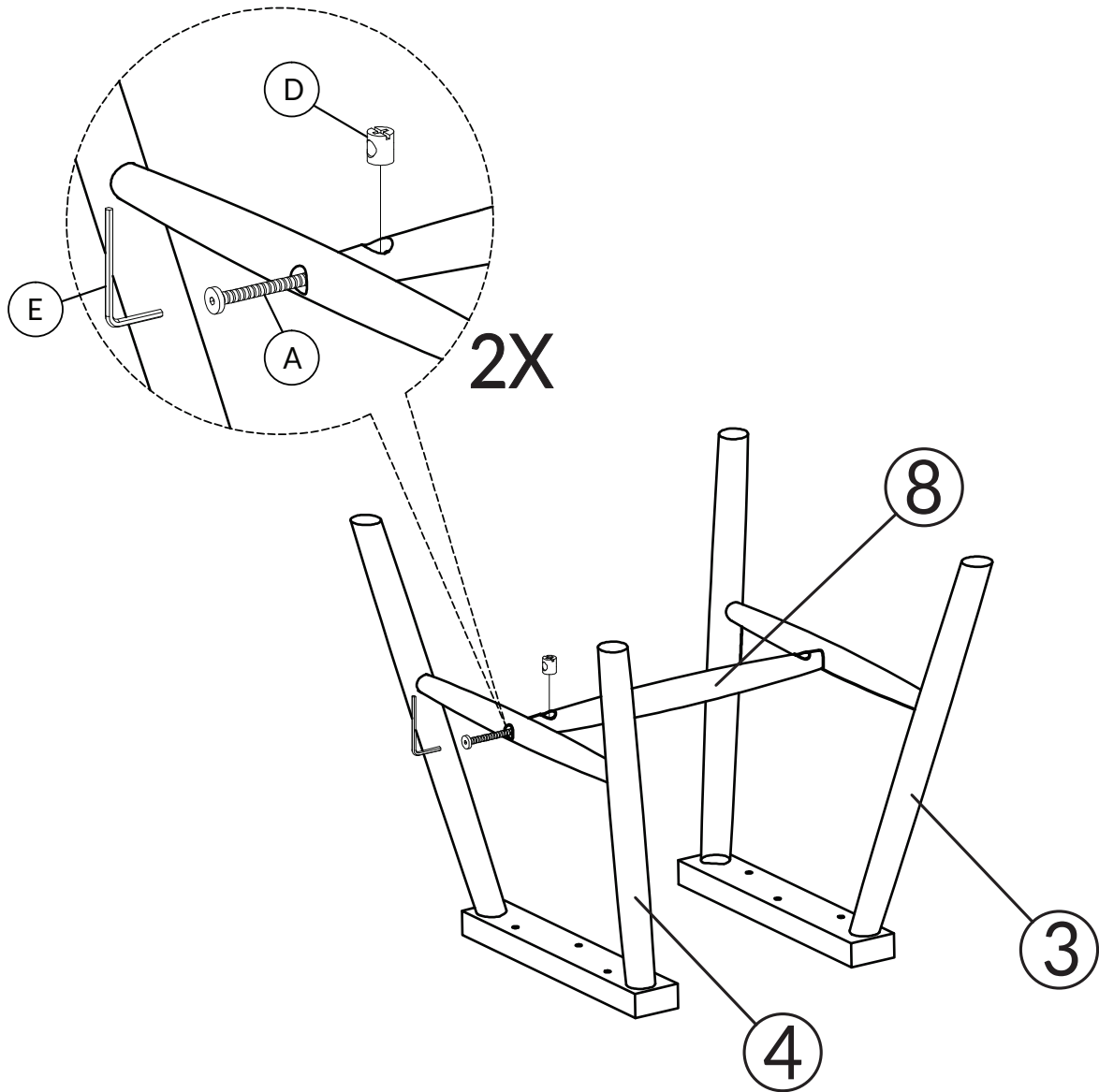
| Hardware | Count |
|----------|-------|
| J | 1 |

03



| Hardware | Count |
|----------|-------|
| A | 2 |
| B | 2 |
| C | 2 |
| D | 2 |
| E | 1 |

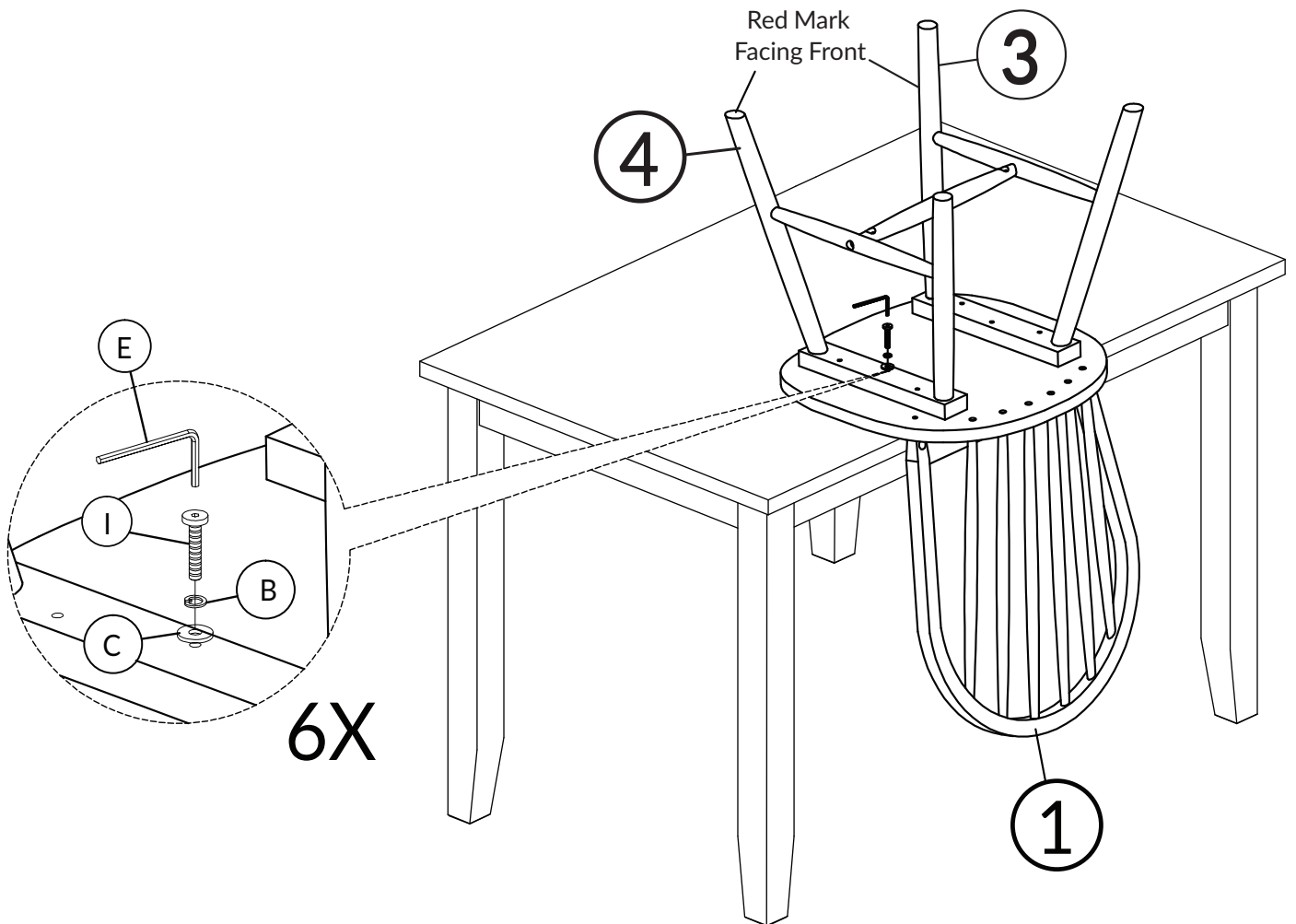
04



| Hardware | Count |
|----------|-------|
| A | 2 |
| D | 2 |
| E | 1 |

DO NOT TIGHTEN BOLT COMPLETELY.

05



| Hardware | Count |
|----------|-------|
| I | 6 |
| B | 6 |
| C | 6 |
| E | 1 |

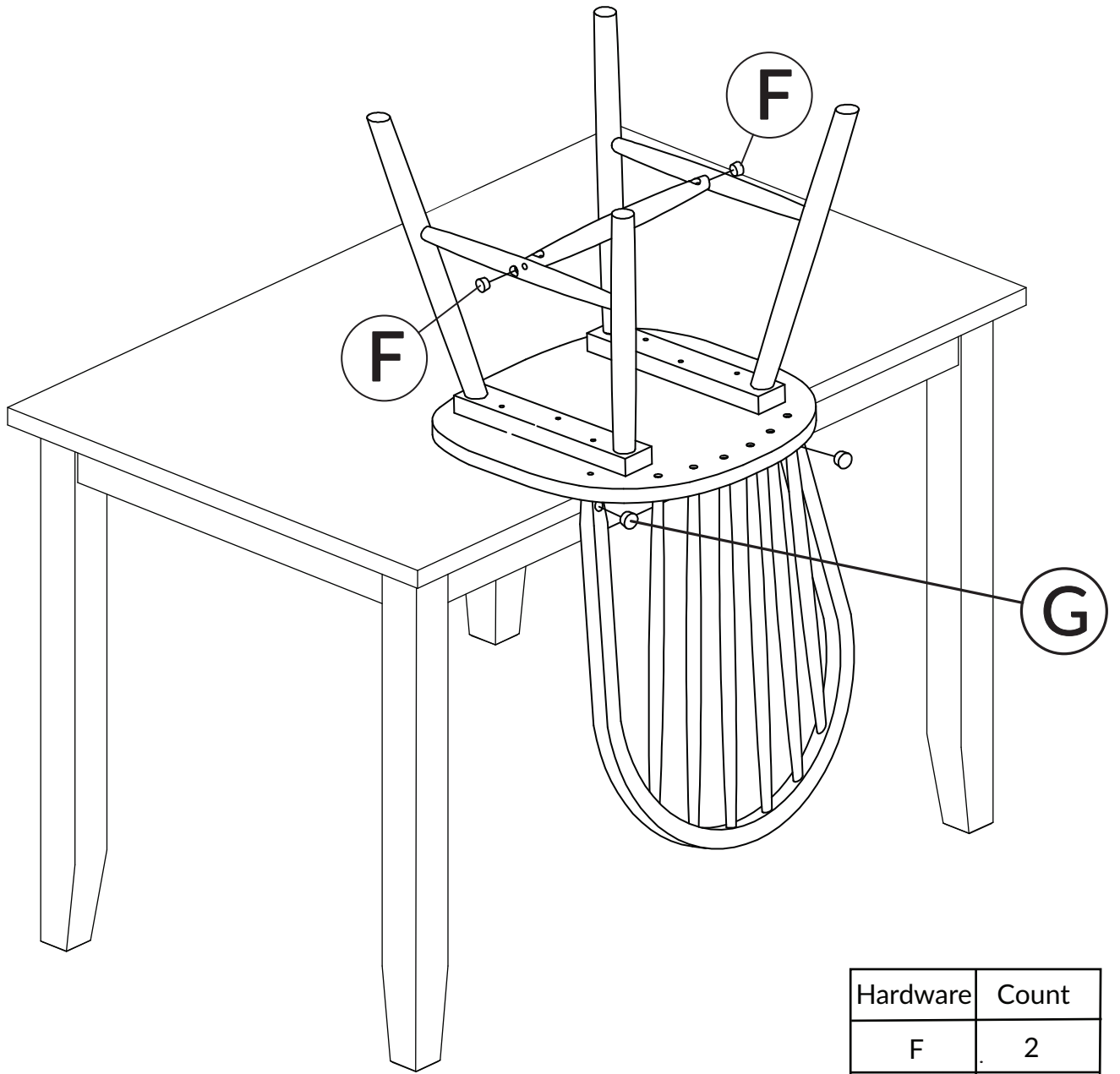


Scan the QR code for a video explaining this step.

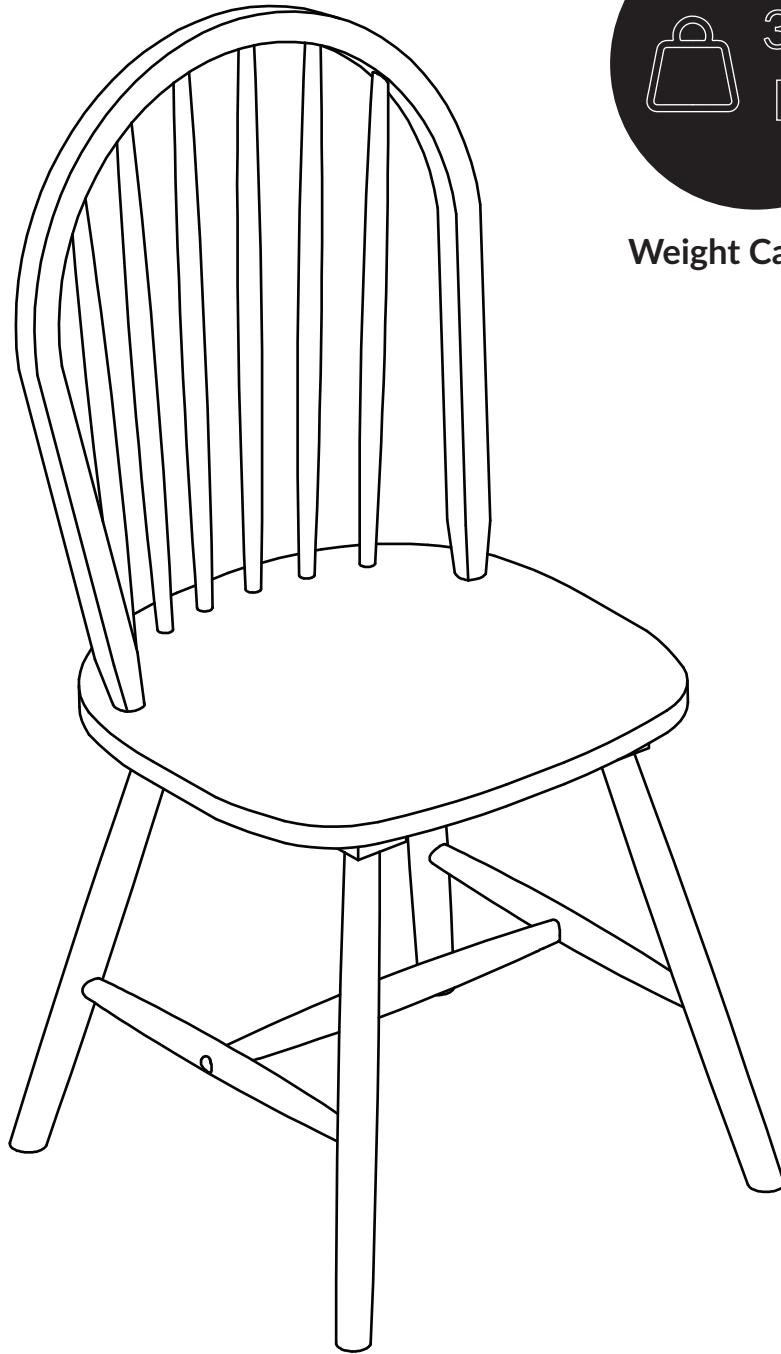
TIGHTEN BOLT COMPLETELY.

847-949-6300 | 877-267-2261 | customerservice@boraamindustries.com

06



| Hardware | Count |
|----------|-------|
| F | 2 |
| G | 2 |



Weight Capacity

BE SURE TO CHECK ALL BOLTS ARE SECURELY TIGHTENED PRIOR TO USE.

847-949-6300 | 877-267-2261 | customerservice@boraamindustries.com