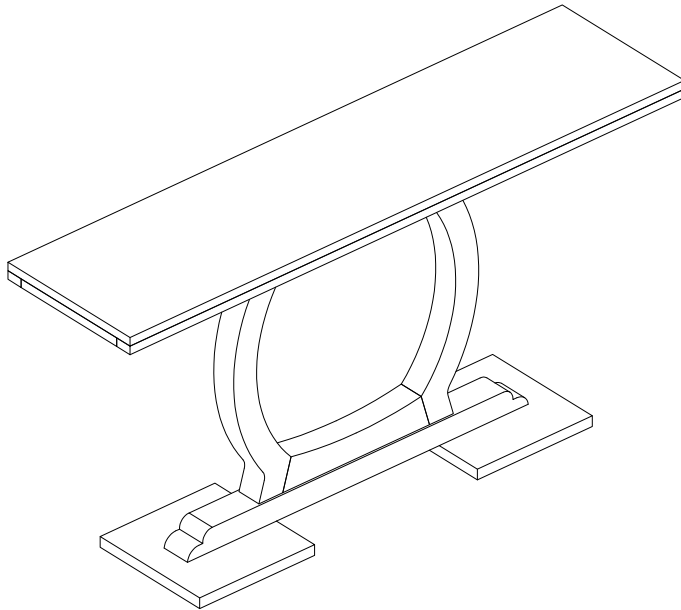




Boraam Industries

ASSEMBLY INSTRUCTIONS

SKU: 88730 | ZEN CONSOLE TABLE



Weight Capacity



Locate the **HARDWARE PACK** which is attached to the shipping carton with red tape.

01/2024



Have questions about assembling your item?



Items or parts damaged?



Missing a part?

We're here to help! (Monday-Friday from 9am-5pm CST)



847-949-6300
877-267-2261



customerservice@
boraamindustries.com



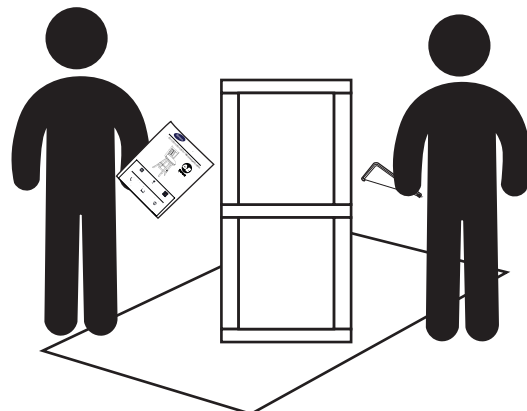
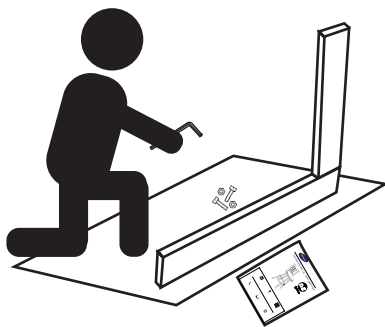
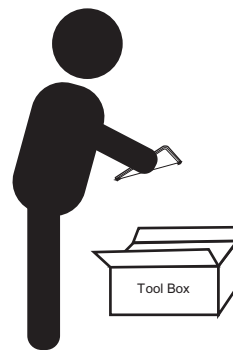
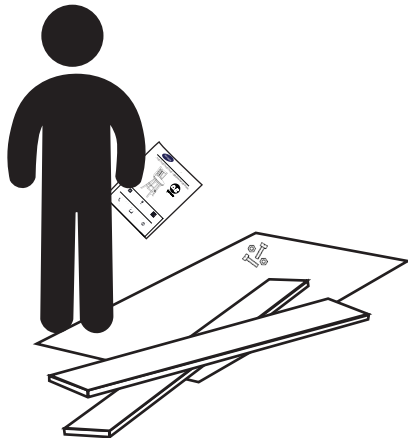
www.boraamindustries.com

Assembly And Care

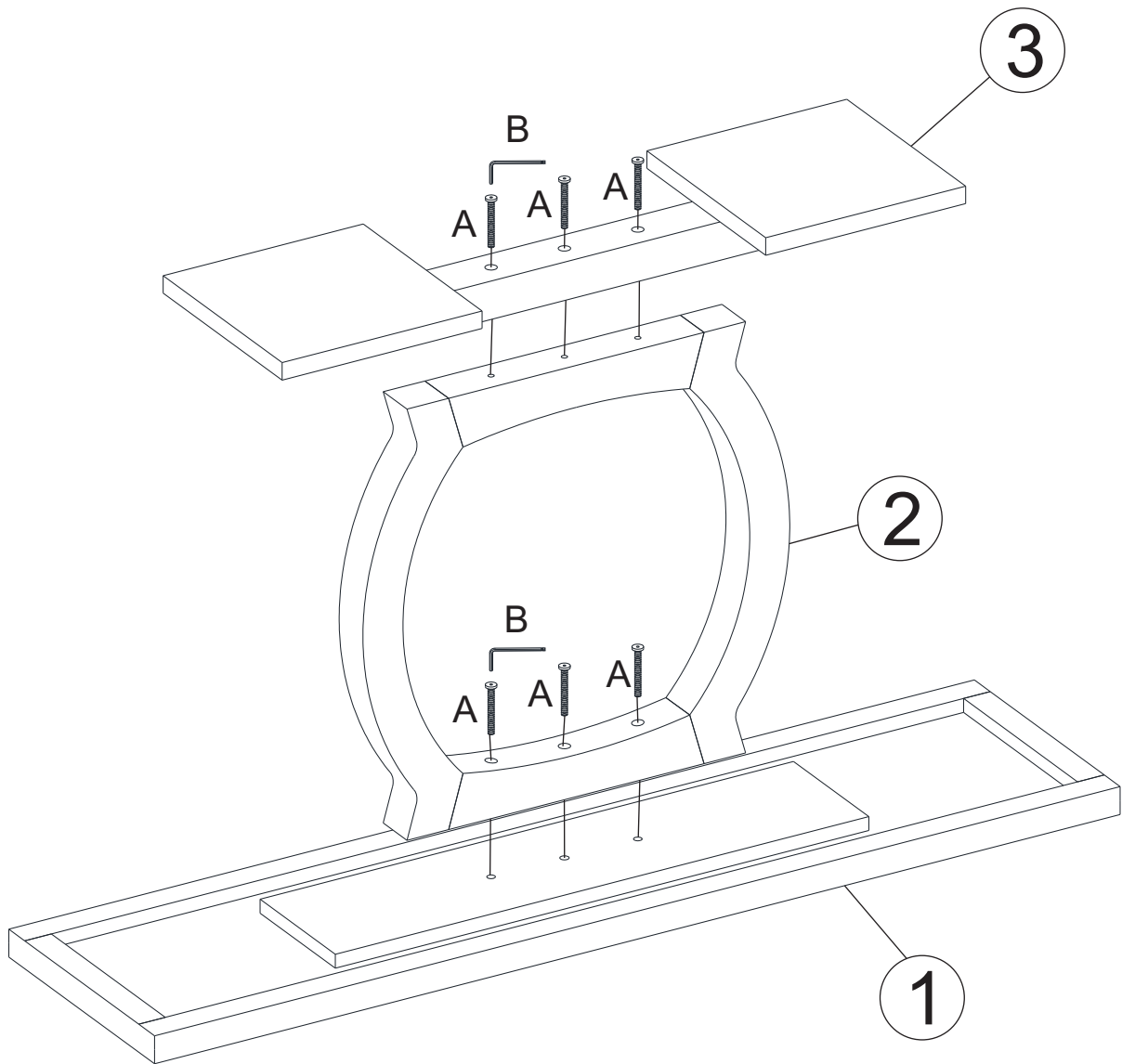
- All tools required for assembly are included unless noted.
- Prior to assembly, check for missing or damaged parts.
- Do not dispose of packing materials until assembly is completed.
- Assemble item on a soft, clean surface to prevent damage to the item.



Locate the **HARDWARE PACK** which is attached to the shipping carton with red tape.



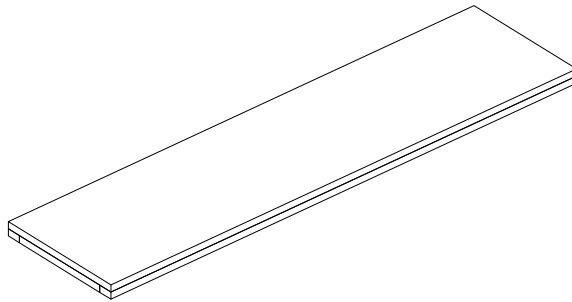
Assembly Overview



PARTS

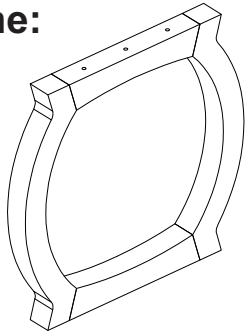
① (x1)

Top Panel:



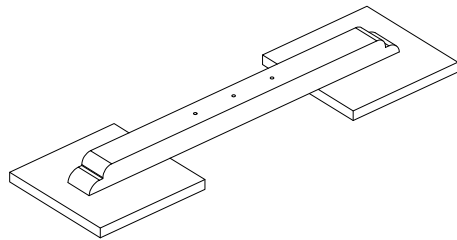
② (x1)

Leg frame:



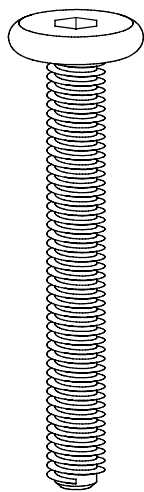
③ (x1)

Bottom Panel:



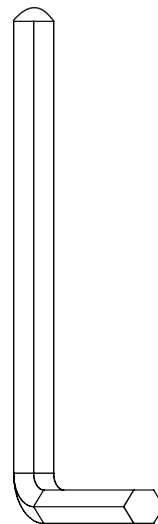
HARDWARE

Ⓐ (x6)



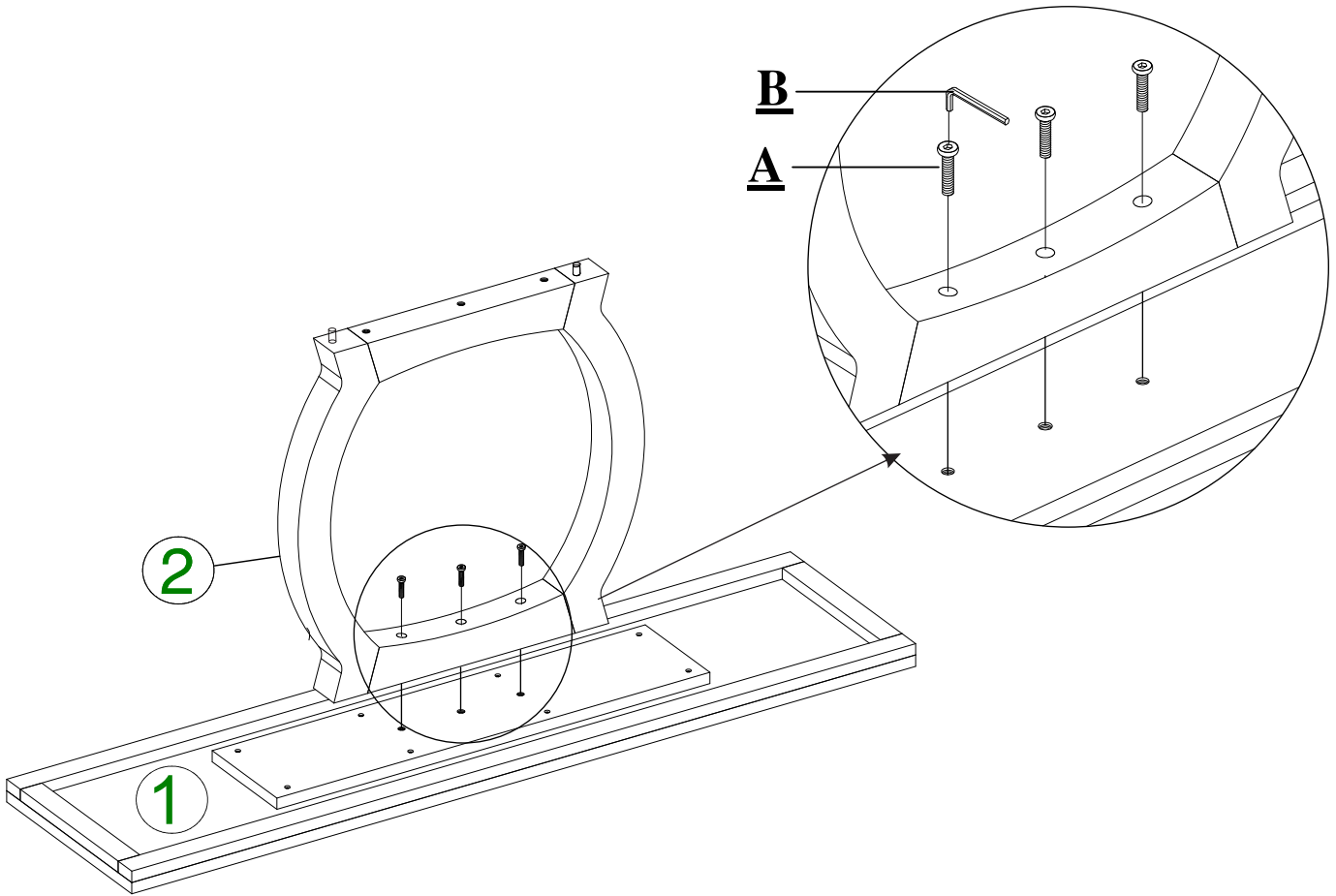
Bolt
M8*70

Ⓑ (x1)

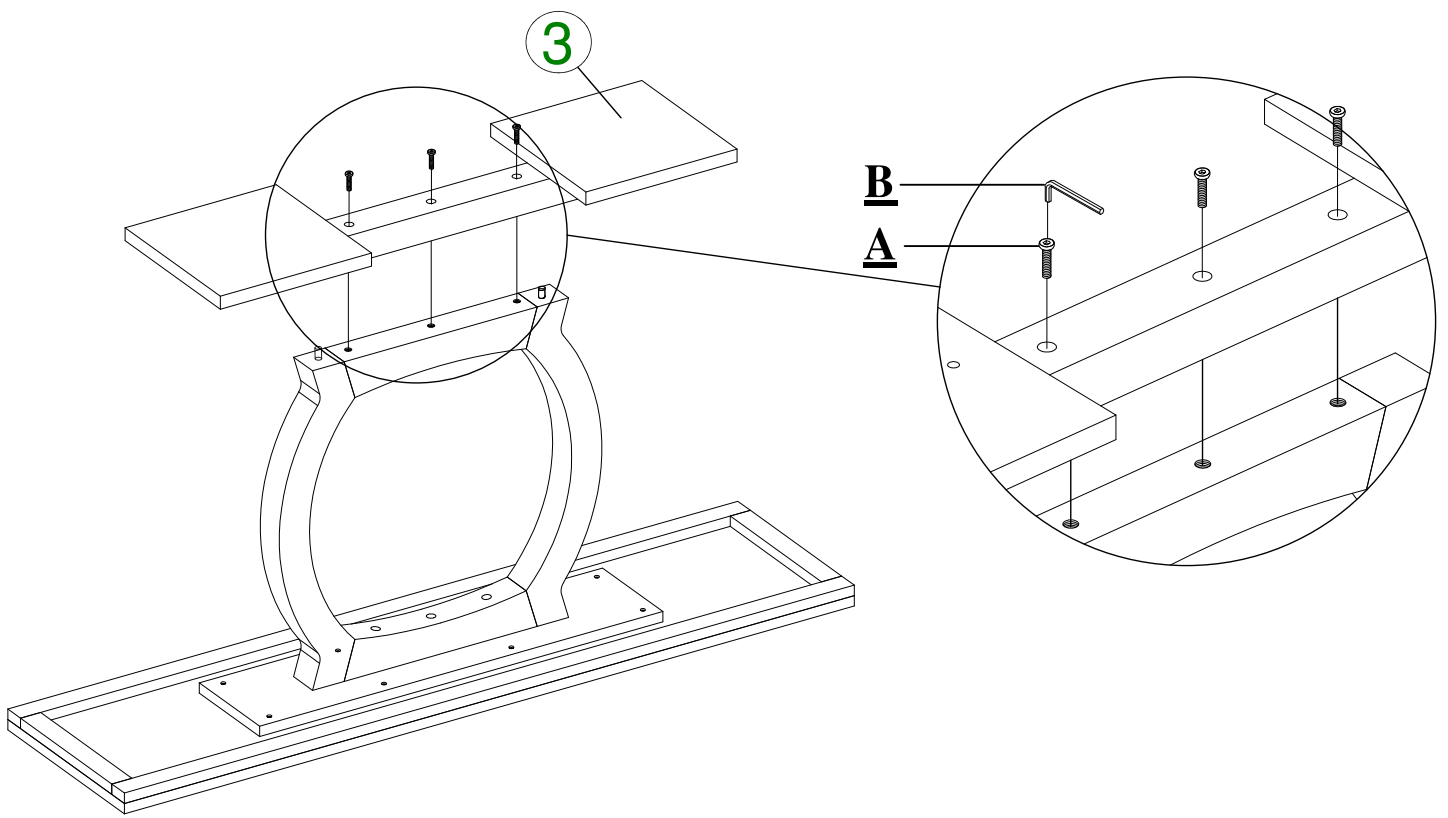


Allen
Wrench

01



Hardware	Count
A	3
B	1

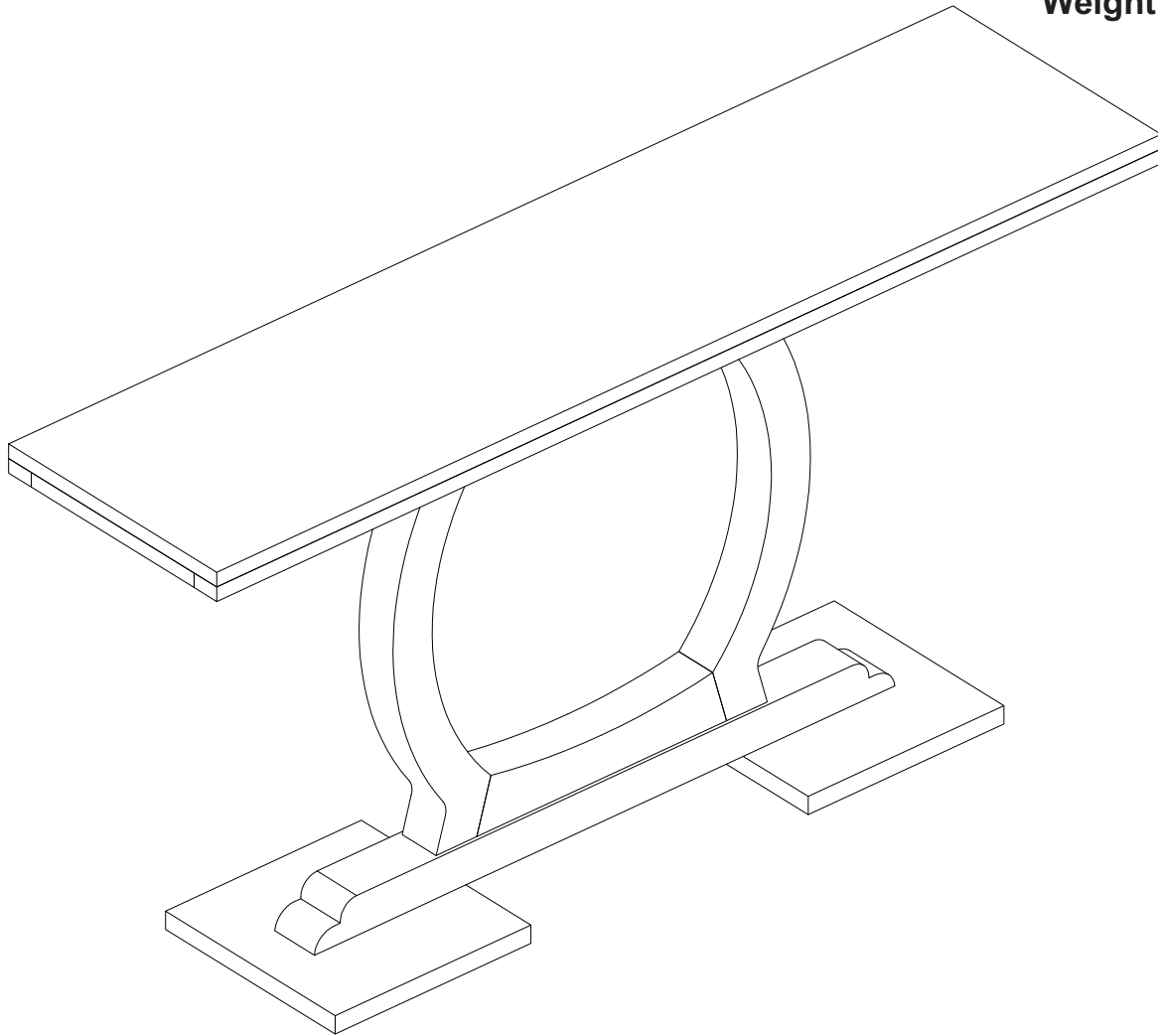


Hardware	Count
A	3
B	1

03



Weight Capacity



BE SURE TO CHECK ALL BOLTS ARE SECURELY TIGHTENED PRIOR TO USE.

847-949-6300 | 877-267-2261 | customerservice@boraamindustries.com