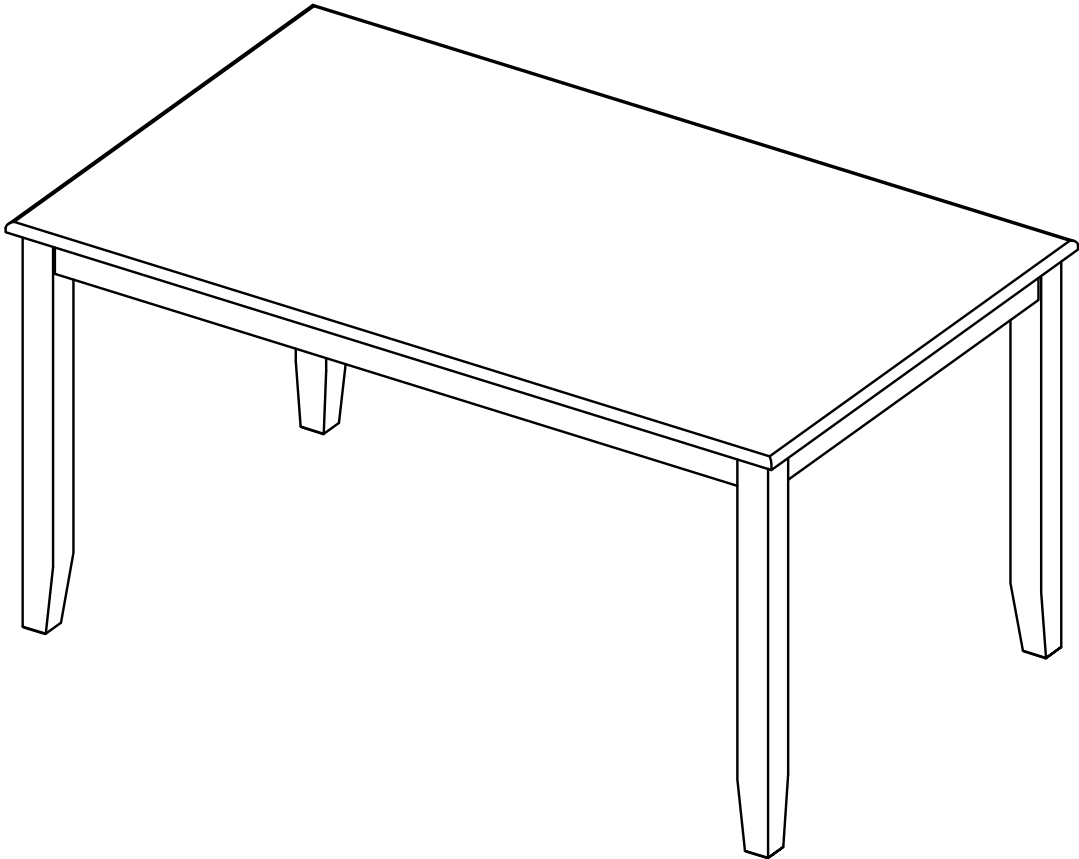




# Boraam Industries

ASSEMBLY INSTRUCTIONS

**SKU: 22030,21030 | BLOOMINGTON TABLE**



Have questions about assembling your item?



Items or parts damaged?



Missing a part?

**We're here to help! (Monday-Friday from 9am-5pm CST)**



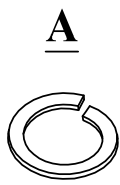
847-949-6300  
877-267-2261



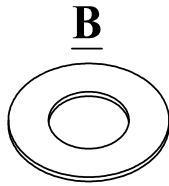
customerservice@  
boraamindustries.com



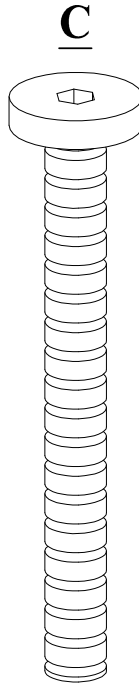
www.boraamindustries.com



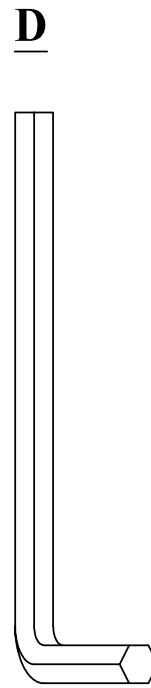
**Spring Washer**  
8 PCS



**Flat Washer**  
8 PCS

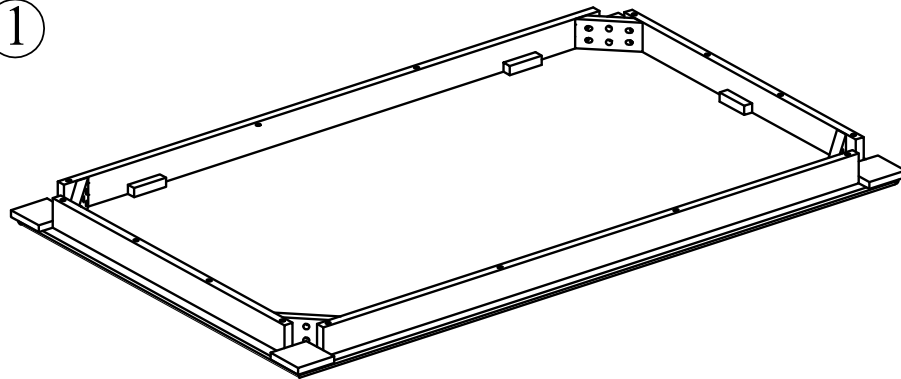


**M8\*70**  
8 PCS

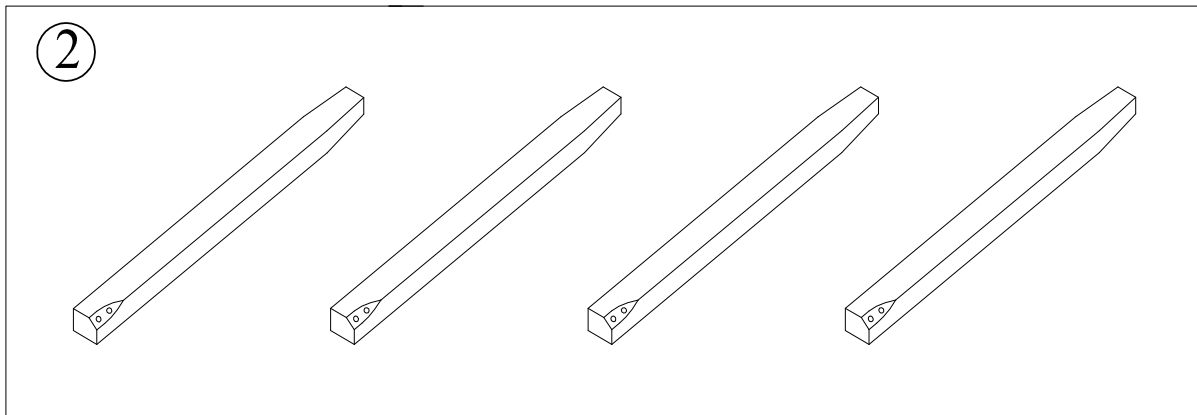


**Allen Wrench**  
1 PC

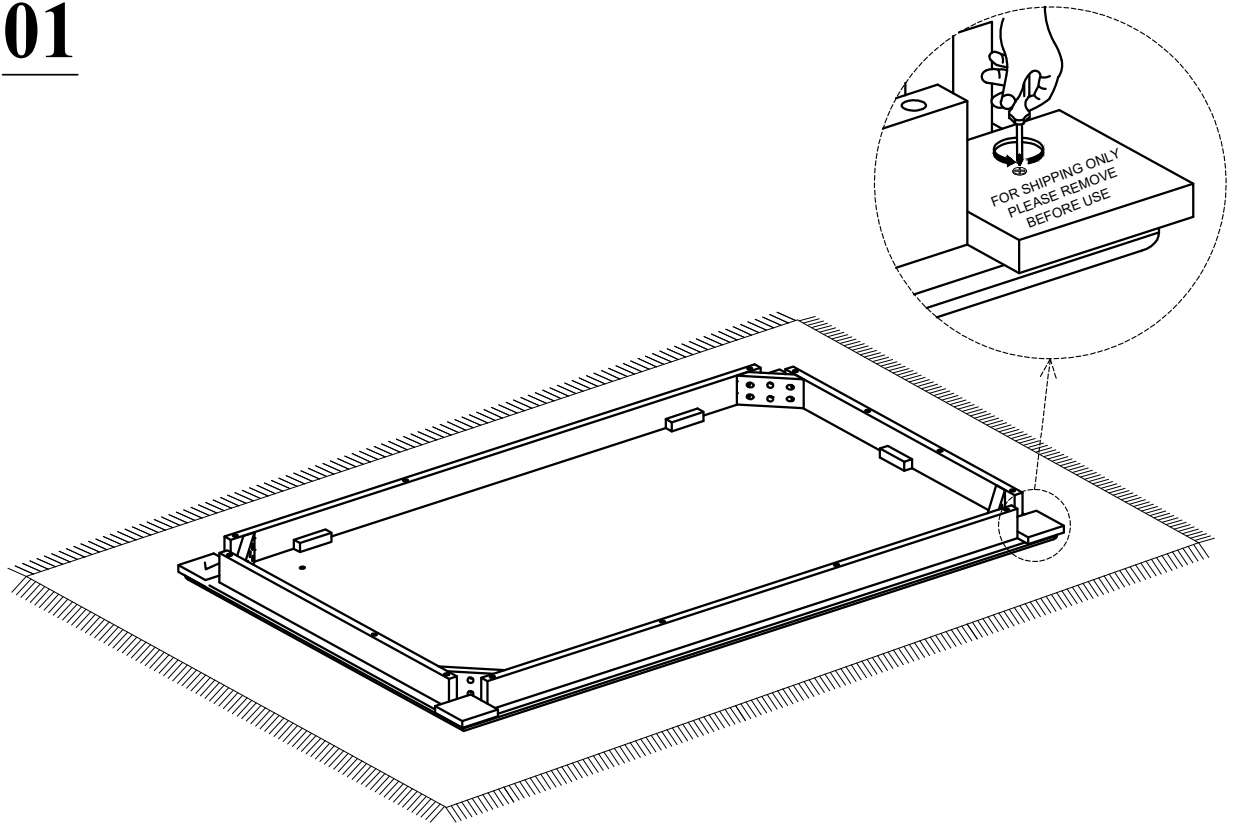
①



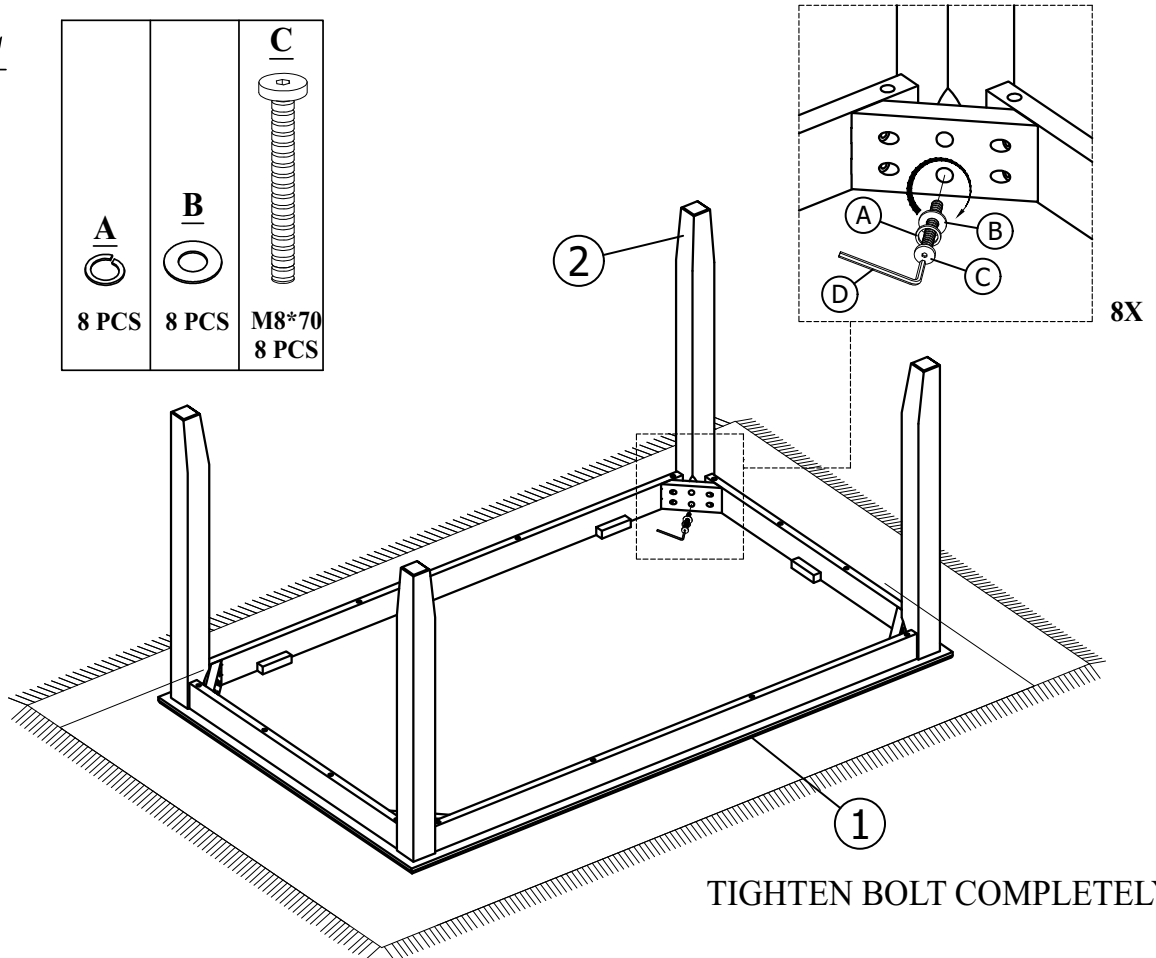
②

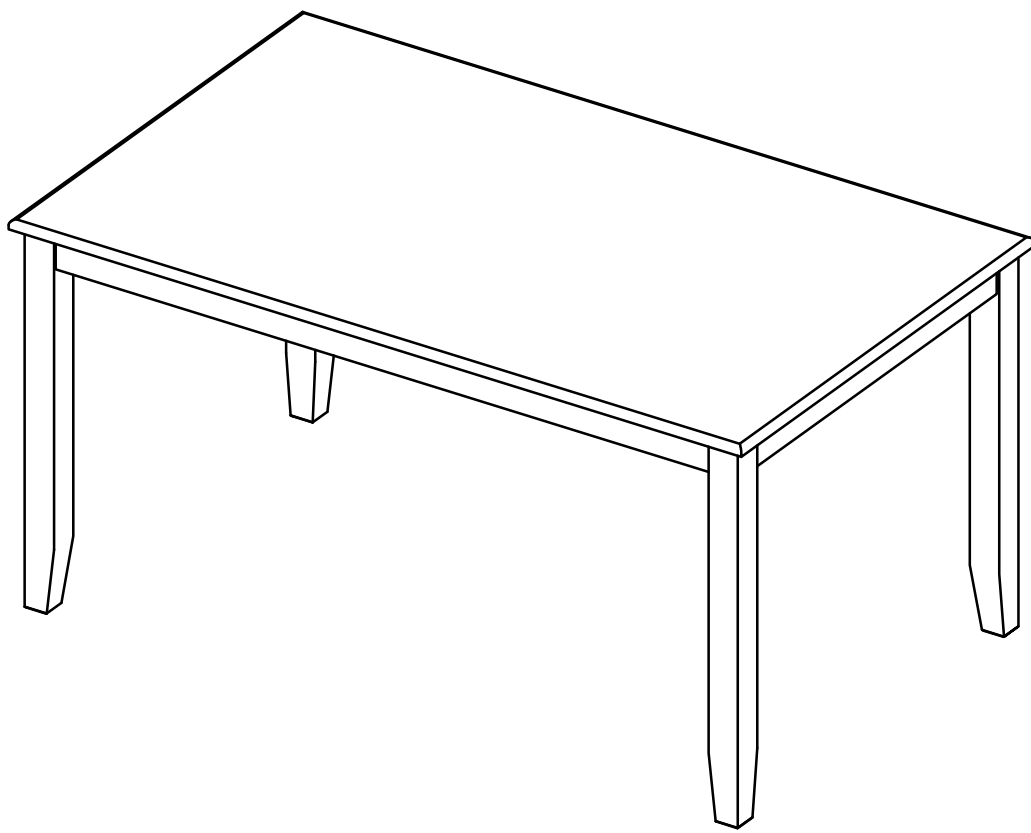


# 01



# 02





BE SURE TO CHECK ALL BOLTS ARE SECURELY TIGHTENED PRIOR USING THIS TABLE

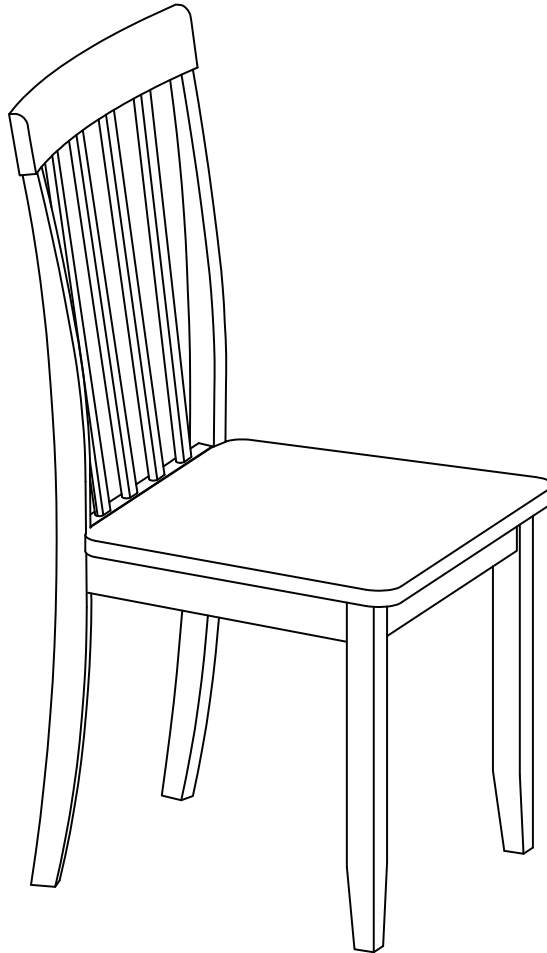
847-949-6300 | 877-267-2261 | [customerservice@boraamindustries.com](mailto:customerservice@boraamindustries.com)



# Boraam Industries

ASSEMBLY INSTRUCTIONS

**SKU: 22031,21031 | BLOOMINGTON DINING CHAIR**



Have questions about  
assembling your item?



Items or parts damaged?



Missing a part?

**We're here to help! (Monday-Friday from 9am-5pm CST)**



847-949-6300  
877-267-2261



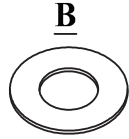
customerservice@  
boraamindustries.com



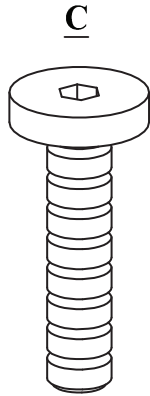
[www.boraamindustries.com](http://www.boraamindustries.com)



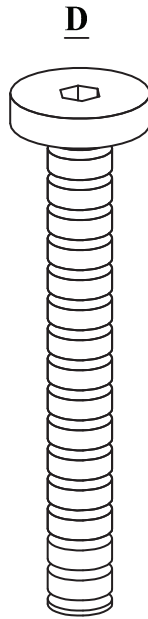
**A**  
Spring Washer  
9 PCS



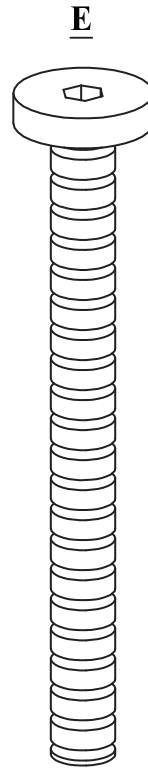
**B**  
Flat Washer  
9 PCS



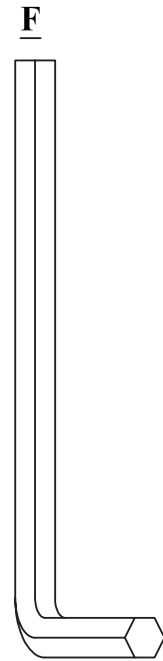
**C**  
M6\*35  
1 PC



**D**  
M6\*60  
4 PCS

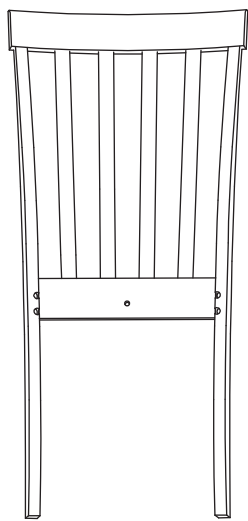


**E**  
M6\*80  
4 PCS

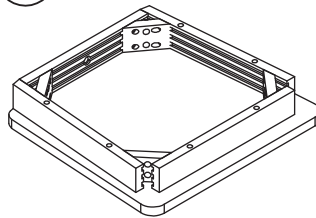


**F**  
Allen Wrench  
1 PC

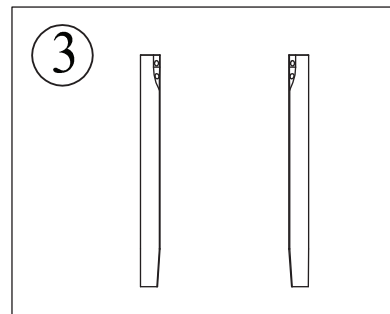
①





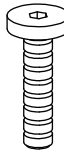
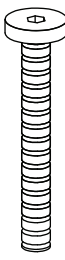
②

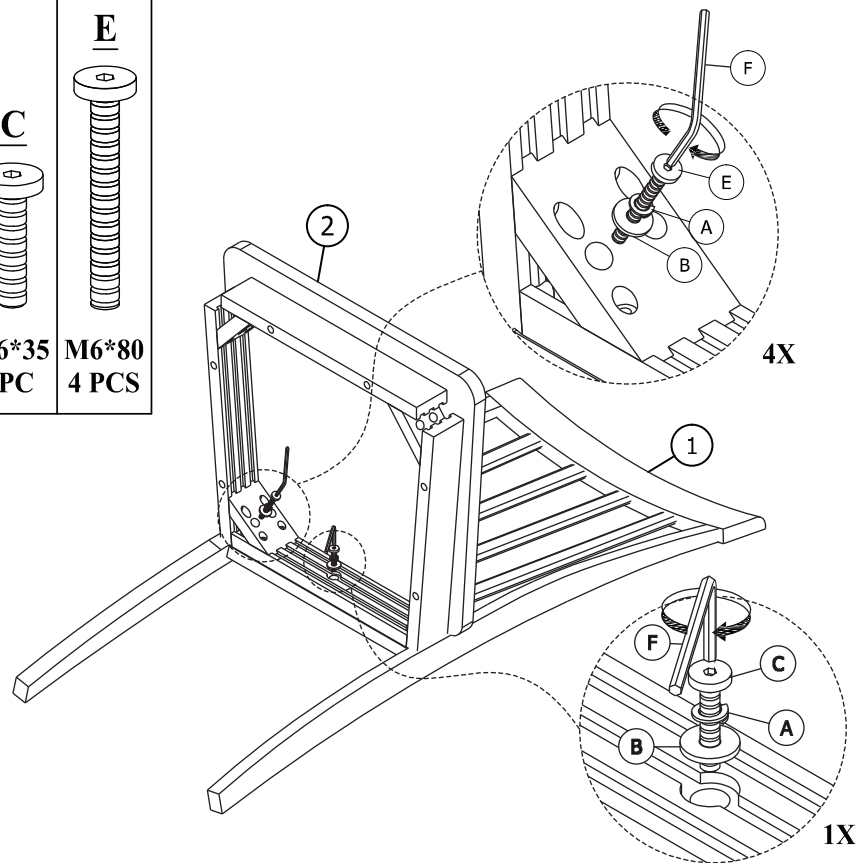


③





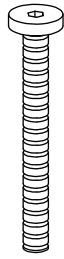
# 01

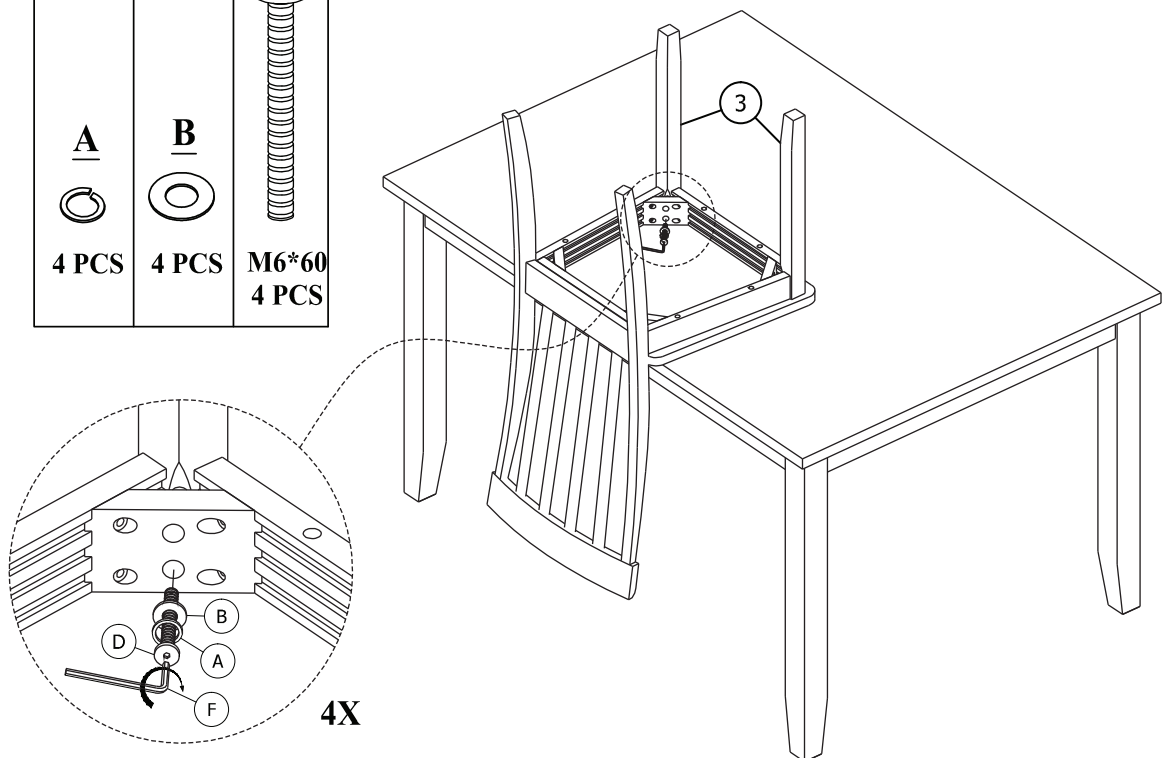
<b>A</b>  5 PCS	<b>B</b>  5 PCS	<b>C</b>  M6*35 1PC	<b>E</b>  M6*80 4 PCS
--	--	---	---



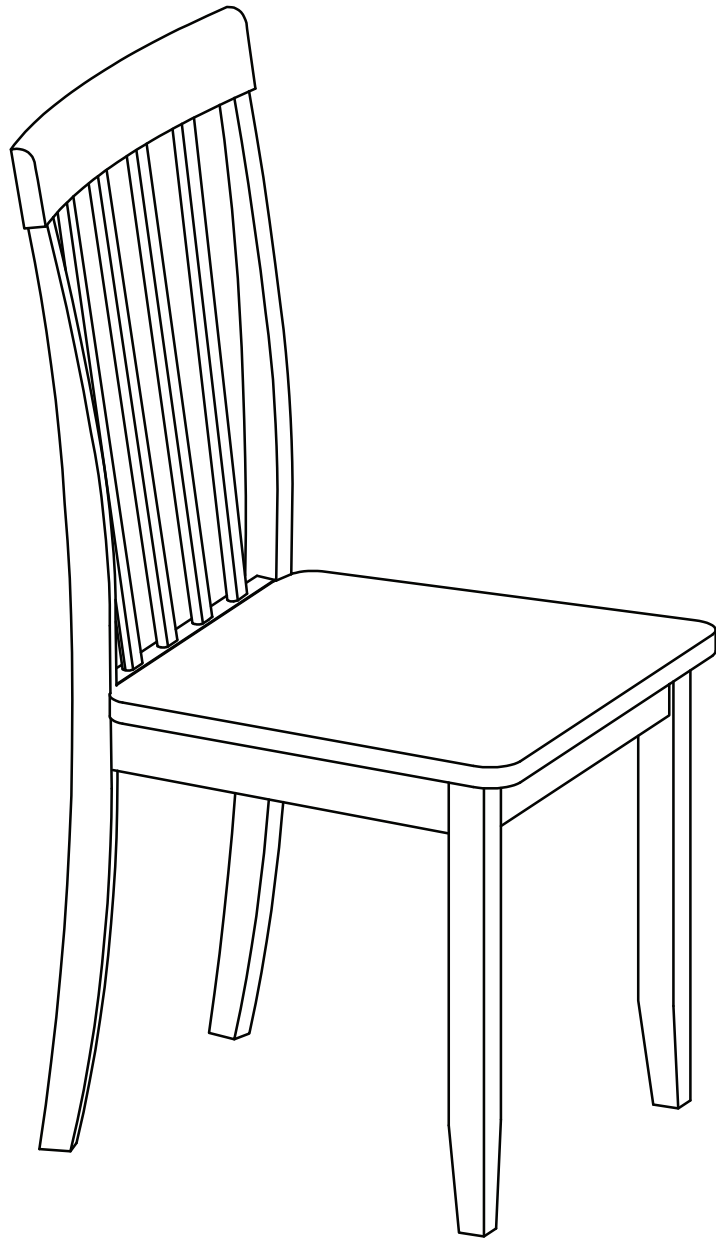
TIGHTEN BOLT COMPLETELY.

# 02

<b>A</b>  4 PCS	<b>B</b>  4 PCS	<b>D</b>  M6*60 4 PCS
--	--	---



TIGHTEN BOLT COMPLETELY.



BE SURE TO CHECK ALL BOLTS ARE SECURELY TIGHTENED PRIOR USING THIS CHAIR

847-949-6300 | 877-267-2261 | [customerservice@boraamindustries.com](mailto:customerservice@boraamindustries.com)