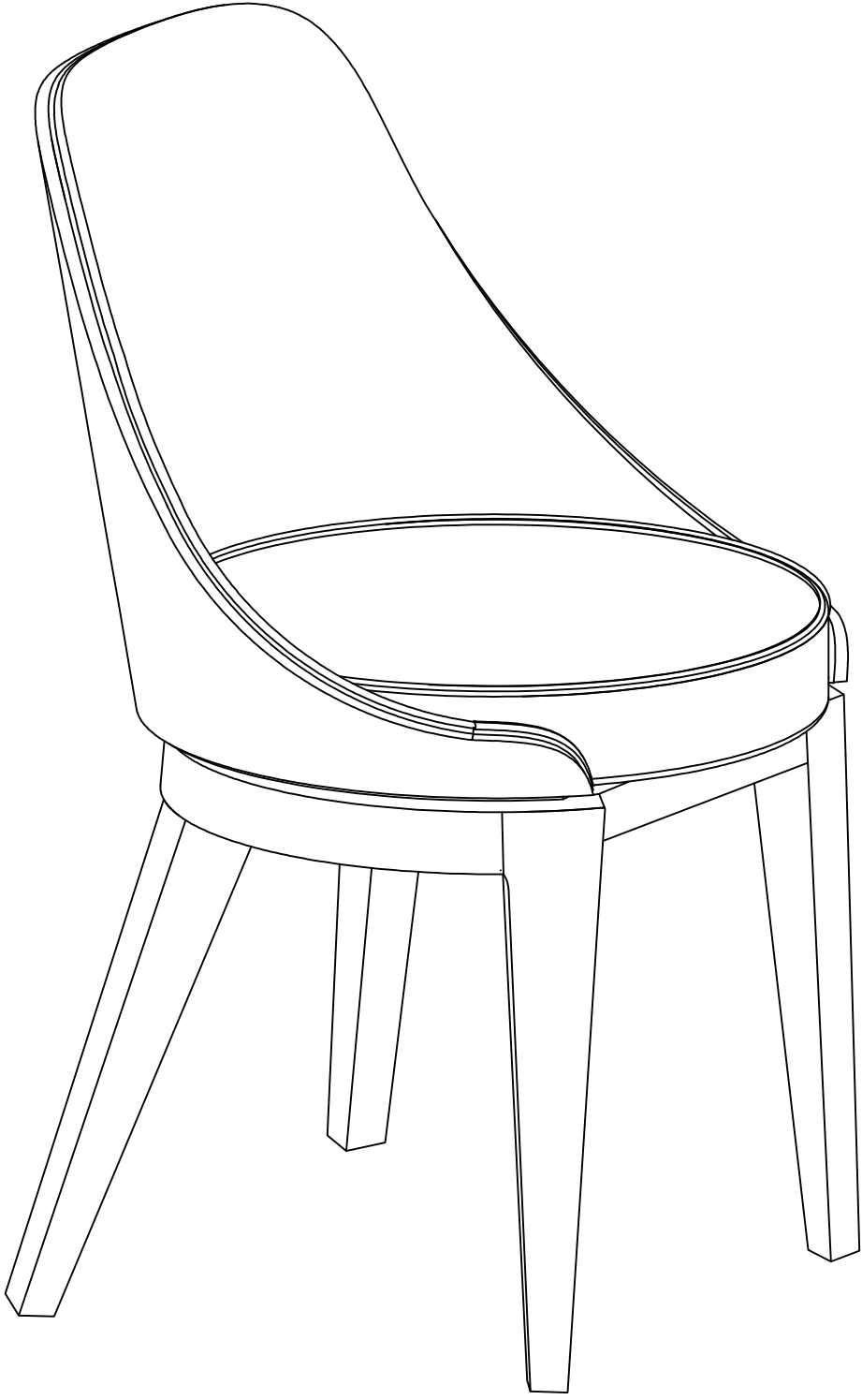




Boraam Industries

ORLEANS CHAIR

ASSEMBLY INSTRUCTIONS





PLEASE READ ME FIRST



- Have questions about assembling your item?



- Item or parts damaged?



- Missing a part?



- We're here to help!



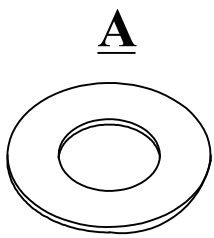
(847)949-6300 (M-F, 9am-5pm CST)



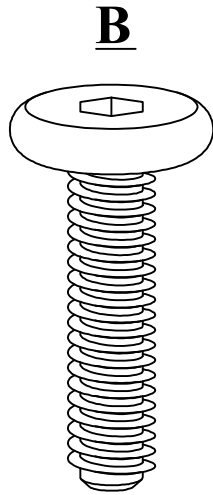
www.boraamindustries.com



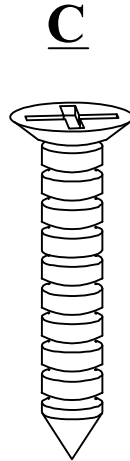
customerservice@boraamindustries.com



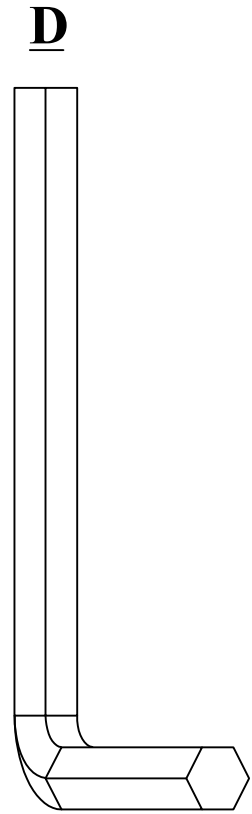
A
Flat Washer
M6x16: 4PCS



B
Bolt
M6x25: 4PCS

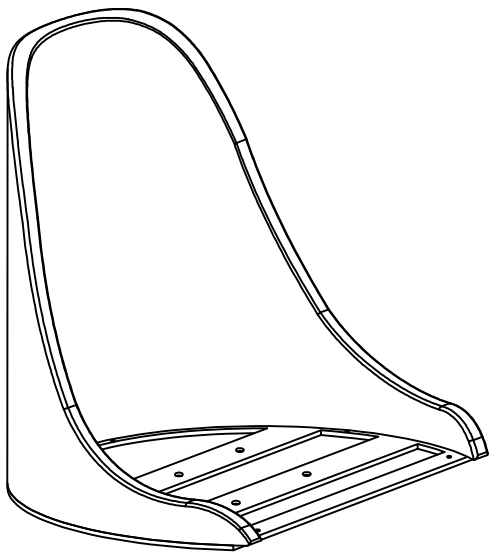


C
Wood Screw
M4x35: 5PCS

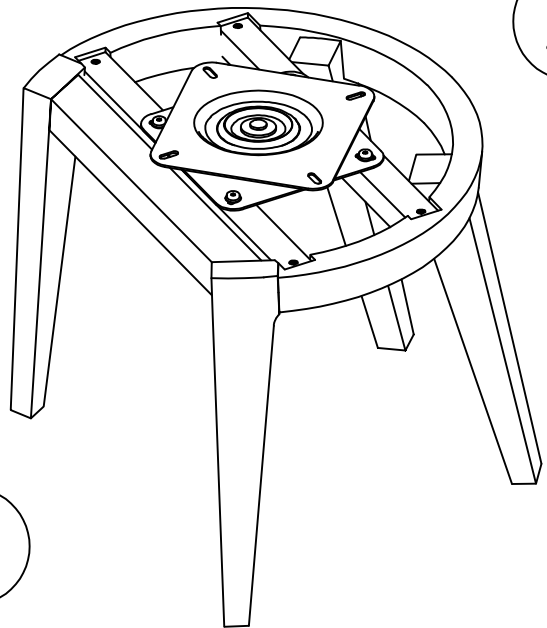


D
Allen Wrench:
M4*110 1 PC

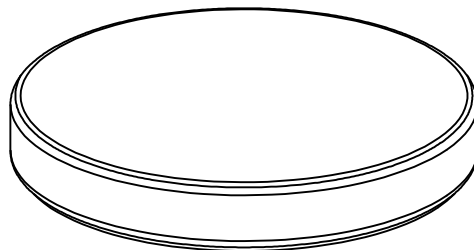
1



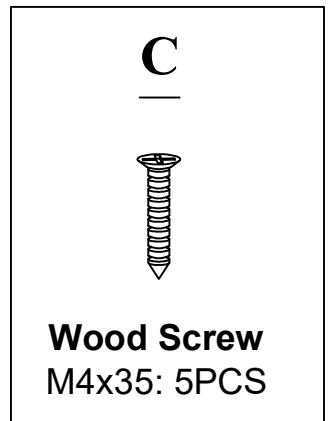
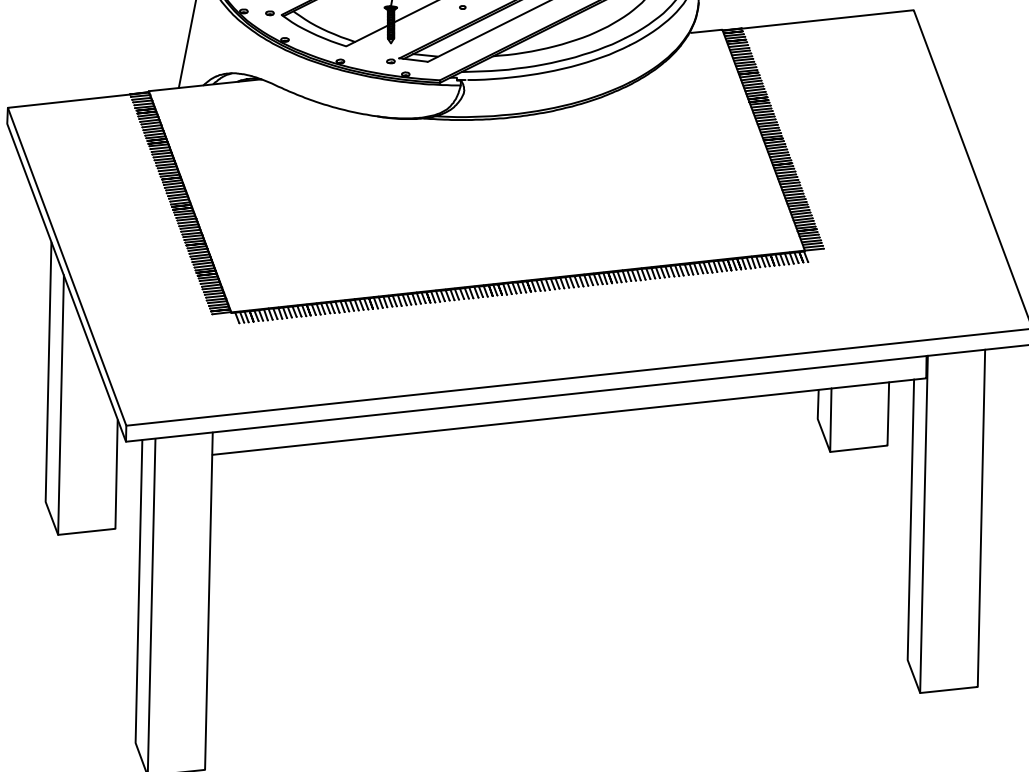
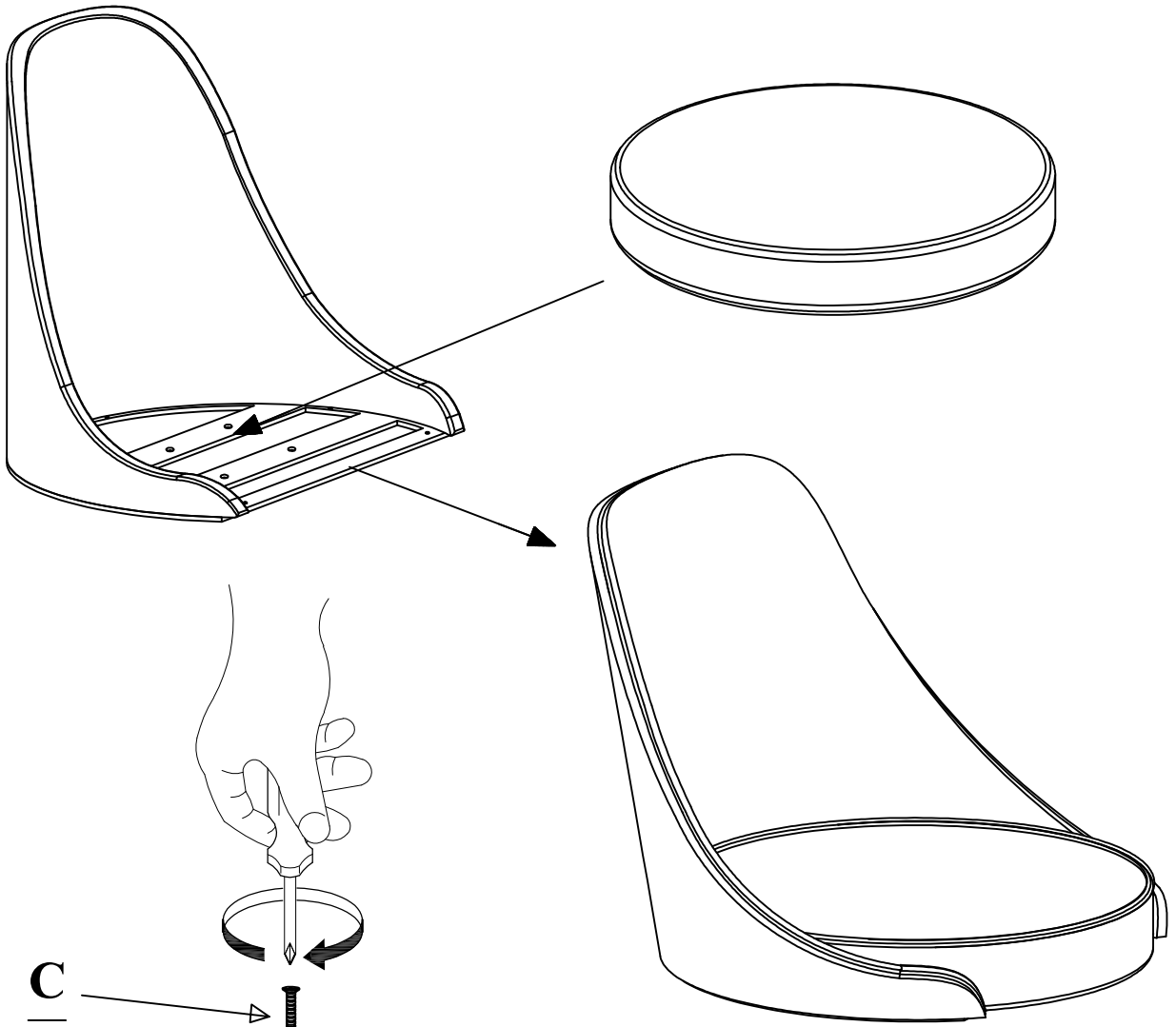
3

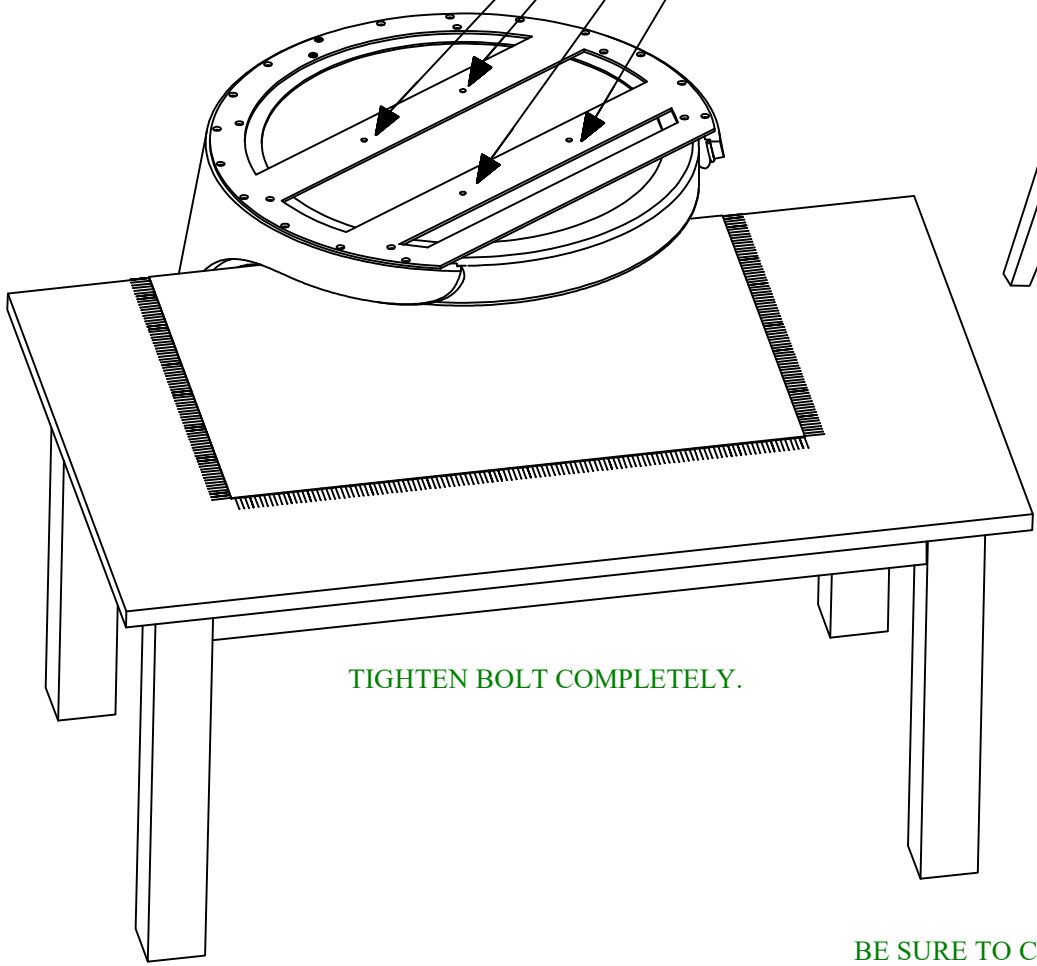
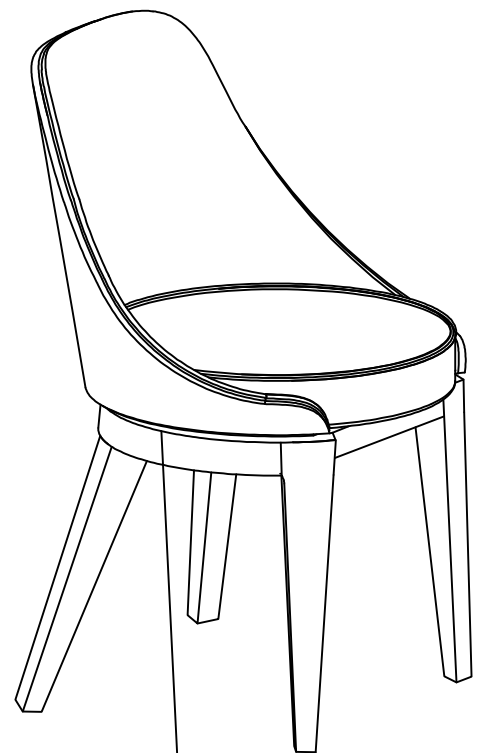
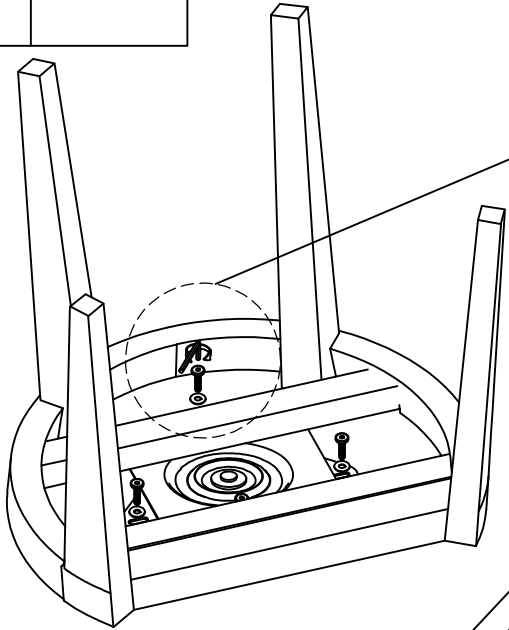
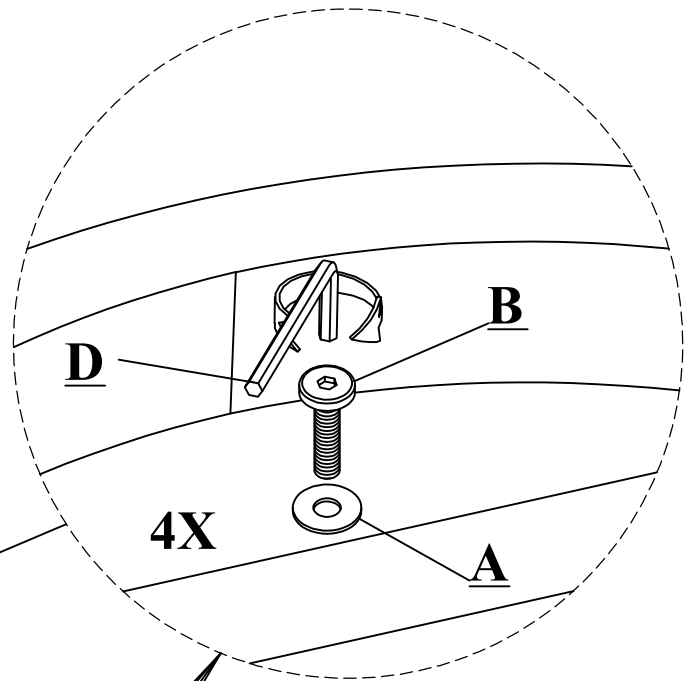
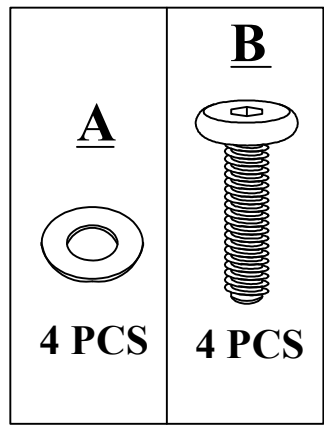


2

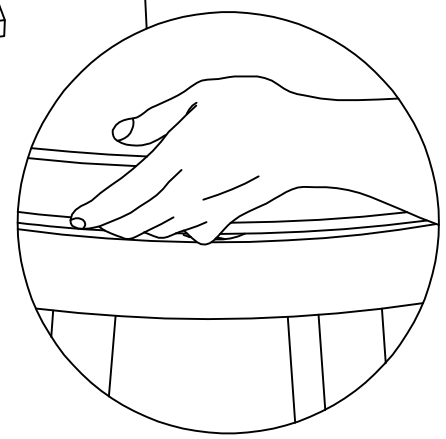


01





TIGHTEN BOLT COMPLETELY.



BE SURE TO CHECK ALL BOLTS ARE SECURELY TIGHTENED PRIOR USING THIS STOOL.